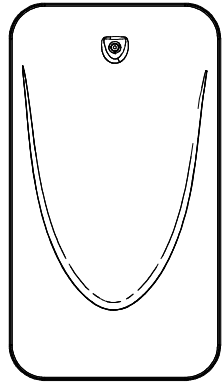
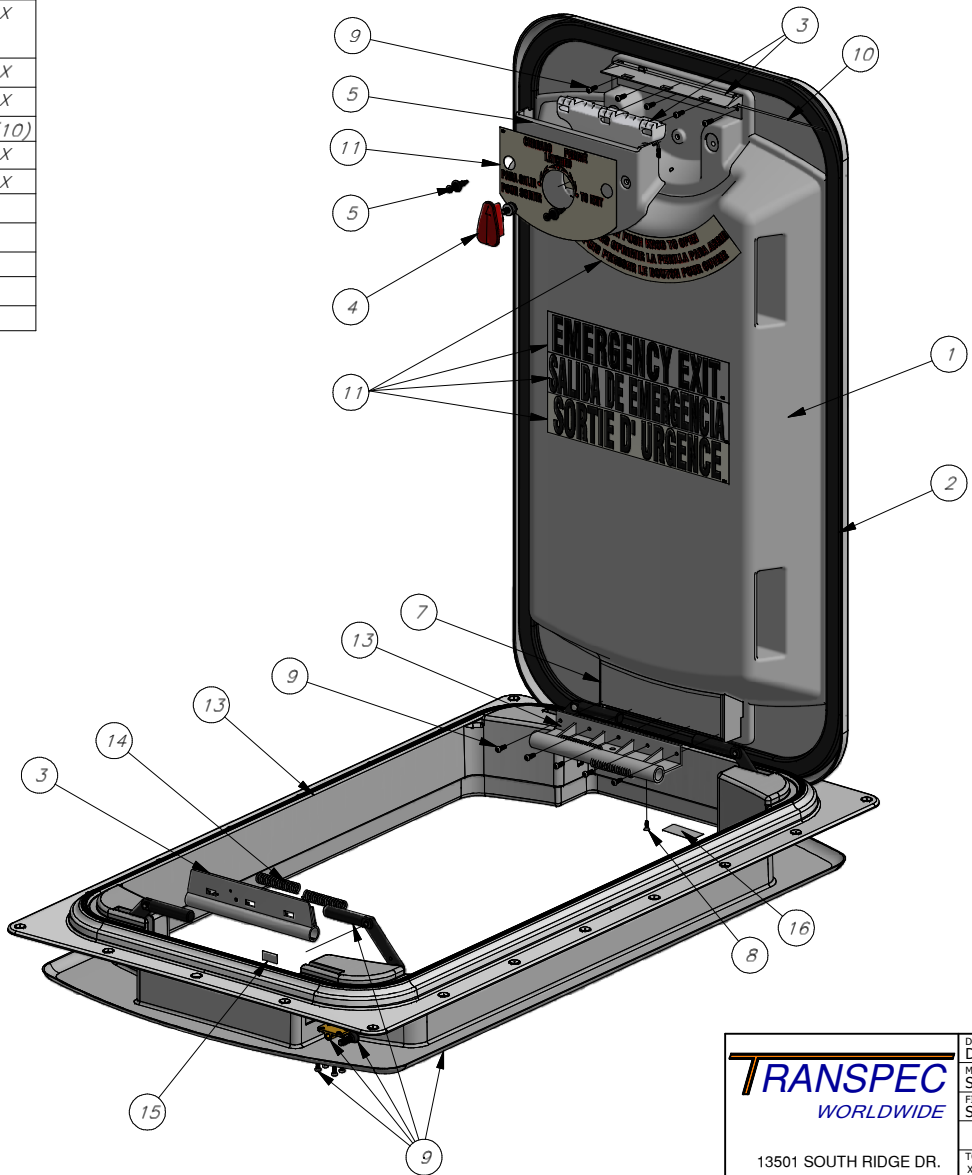


ITEM	QTY	PART NO.	DESCRIPTION	LID
1	1	T2553	LID - FULL LOOK, WORLD HATCH (LT GRAY/WHITE EXT)	X
2	9.3FT	T2130	GASKET, LID -ORDER T1000-033 REPLACEMENT KIT	X
3	1	T1975-031	RELEASE ASSEMBLY, HANDLE (LT.GRAY)	X
4	1	T1077-014	RELEASE ASSEMBLY- KNOB, ISR	X
5	1	T1976-016	SHIELD- RELEASE HANDLE KIT, NO PRINTING (LT GRAY)	X
6	1	T2053	HINGE- FIXED (LT.GRAY), NOT SOLD SEPARATELY, ORDER T2604L-000-00D REPLACEMENT LID	X
7	1	T2329	COVER- FIXED HINGE, WORLD HATCH (LT GRAY)	X
8	1	T2105	SCREW - #8 X 1/2", FH, PHILLIPS, S.S.	X
9	26	T2100	SCREW - #10 X .54", HI-LO THRD, SS	X(10)
10	1	T2140	PIN- HINGE, SS	X
11	1	T1976-018	DECAL KIT - ENGLISH, SPANISH, FRENCH (ISR)	X
12	1	T2345	FRAME, INNER, WORLD HATCH (LT GRAY)	
13	1	T2393-001	FRAME, OUTER, #4 XENOY W/LINKS (LT GRAY/WHT EXT)	
14	4	T2040	SPRING, .55DIA X 2.63L 34.7LBS/IN, HATCH PLUNGER	
15	1	T2578	DECAL -TUV, WORLD HATCH	
16	1	T2660	DECAL, FRONT OF VEHICLE	

REV	ECO NO.	DATE	BY	ZONE	NOTES
-	VT-14-0042	2/29/16	DAT	ALL	RELEASED TO PRODUCTION



LID EXTERIOR



- NOTES:
- PARTS MARKED "X" IN LID COLUMN ARE FOR T2604L-000-00D REPLACEMENT LID.
  - (\*) IS FOR QUANTITY PER REPLACEMENT LID.
  - ROOF HOLE SIZE: 21-1/4" X 38-1/4" W/ 4" CORNER RADIUS.
  - INSTALL HATCH W/ FIXED HINGE CLOSEST TO THE FRONT OF VEHICLE
  - T2031 SHOULDER BOLTS TORQUED TO A MAXIMUM OF 75 IN-LB.
  - FRAME IS REFORMED TO HAVE #4 SWEEP ON LONG SIDE.
  - REFERENCE SAFE FLEET SPECIFICATION S-ENG-005.

<b>TRANSPEC</b> WORLDWIDE		DRAWN BY: DAT	DATE: 2/29/2016
13501 SOUTH RIDGE DR. CHARLOTTE, NC 28273		MATERIAL: SEE BOM	
FINISH: SEE BOM		TOLERANCES (EXCEPT AS NOTED) UNLESS OTHERWISE INDICATED	
		X +/- .06"	X +/- 1.52mm
		XX +/- .03"	XX +/- .76mm
		XXX +/- .010"	XXX +/- .25mm
		ANGULAR: ± 1'	
THE INFORMATION CONTAINED HEREIN IS THE PROPRIETARY DATA OF SPECIALTY MANUFACTURING INC., AND IS NOT FOR DISSEMINATION OR DISCLOSURE IN WHOLE OR IN PART, FOR ANY PURPOSE OTHER THAN THAT FOR WHICH IT IS SUBMITTED, EXCEPT AS EXPLICITLY AUTHORIZED IN WRITING BY SPECIALTY MANUFACTURING INC			
DESCRIPTION WORLD HATCH, FULL LOOK, #4 XENOY, MTG, ISR, ENG/SPA/FRE, (LT GRAY W/ WHITE EXT.)			
SIZE C	SCALE: 1:1	DRAWING/PART NO. T2604-004-00D	REV. -
SHEET 1 OF 1			