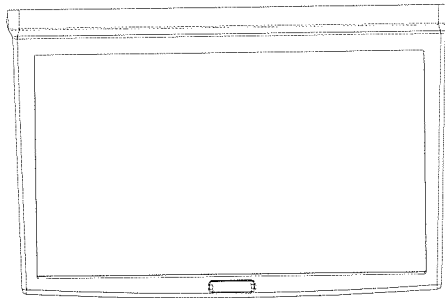


Instructions of Vehicle LED Monitor

ME-1560



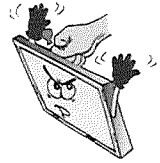
Please read this instruction before installation and operation.

205 0103

Welcome choosing our company professional onboard LED monitor ME-1560. It is designed special for vehicle, ship and train. To ensure you using this monitor correctly, please do read this user manual carefully before installation. Also please take notice of the safety items, and keep this user manual for reference.

I. Safety Items:

▲ Please do not sway or step on the LCD by hand or other appliance!



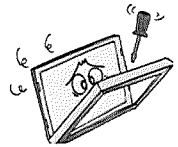
▲ The operation power voltage is DC 12/24V, do not connect to home use electric supply AC 220/110V directly !



▲ Do avoid being caught in or exposing in watery place !



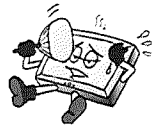
▲ High voltage inside! The case only can be opened by Professional person!



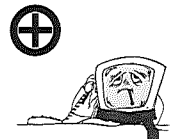
▲ The installation place must strong enough to support the monitor weight and suffer jolt!



▲ Avoid sun light and other heat source !



▲ Turn off the power first when something or liquid fall into the monitor, send to professional mechanic to repair !



▲ Please do not scratch the LCD screen!



▲ When you want to clean the LCD screen, please remember turn off the power first, use soft cotton fabric to wipe it.

Do not use any organic or inorganic solvent to clean LCD !



II. Features :

- ▲ 15.6" wide screen LED panel
- ▲ Quick response
- ▲ Compact, light weight, low consumption
- ▲ Brilliant picture display, high contrast
- ▲ Wide viewing angle, high brightness and resolution
- ▲ Elegant cosmetic

III. Specifications:

- | | |
|--------------------|--|
| ▲ Display area: | 344.16(H) x 193.59(V)(mm) 15.6" |
| ▲ Display system: | TFT active matrix |
| ▲ Pixel: | 1920 (H) x 1080 (V)pixels |
| ▲ Response time: | 35ms |
| ▲ Luminance: | 400cd/m ² (typ.) |
| ▲ Contrast ratio: | 5000:1(typ.) |
| ▲ View angle: | Horizontal:170°(typ.), Vertical:170°(typ.) |
| ▲ Power supply: | DC 12~24V |
| ▲ Weight: | ≤2.8Kg |
| ▲ Dimensions size: | 392x252x85(mm) |

(Notice: We keep the rights of improving and changing the design of our products without notifying.)

IV. Interface definition

1. Part description:

Balloon 1:Power

Balloon 2:BNC

Balloon 3:Screw

Balloon 4:Cover

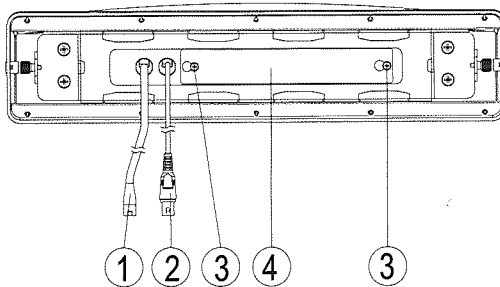


Figure 1

Balloon 5:VGA

Balloon 6:HDMI A

Balloon 7:HDMI E

Balloon 8:USB(PROGRAMMING)

Note:Remove Cover(As figure 1 ballon 4) before use

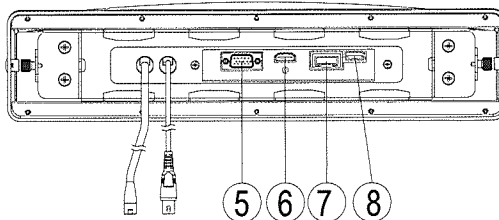


Figure 2

2. Definition:

2.1 Power

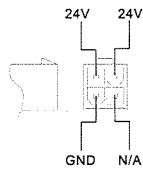


Figure 3

(Notice:Please do not connect monitor directly to home use power AC 220V or AC 100V!)

2.2 BNC

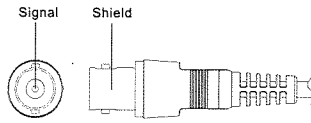


Figure 4

V. Installation:

1. Part description:

Balloon 1: Bracket1

Balloon 2: Bracket2

Balloon 3: Screw

Balloon 4: Spout plug

Balloon 5: Monitor

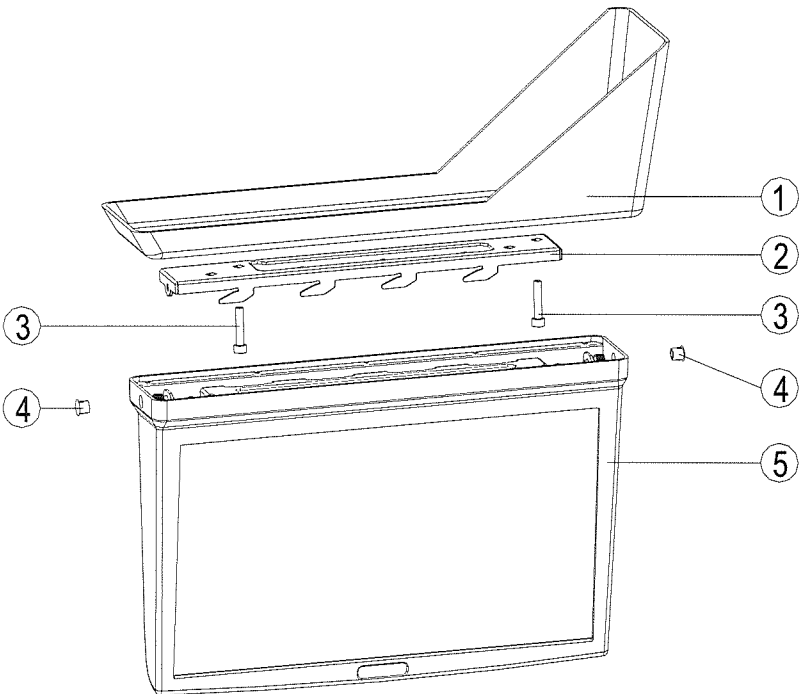


Figure 5

2. Bracket2 description :

- Number 1:L mark
- Number 2:L mark
- Number 3:R mark
- Number 4:R mark
- Number 5:Nut

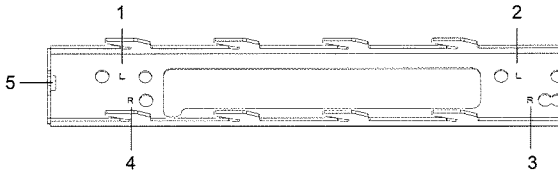


Figure 6

3. Right side mounting(facing people):

- 3.1 As digit 5(show in figure 6) indicates nut faces aisle
- 3.2 Select 2 holes of "R" type(show in figure 6) and align to mounting bracket screw hole and lock the bolt

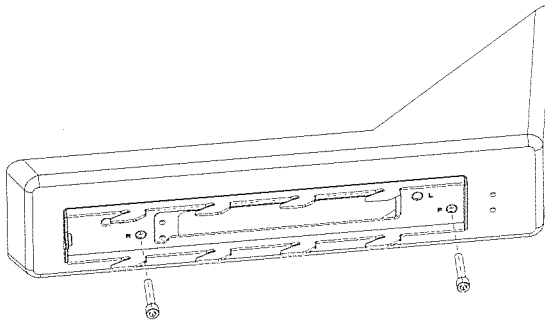


Figure 7

- 3.3 Get monitor ready and plug well the sockets
- 3.4 The monitor aims at the barcket and pushes right into the hook

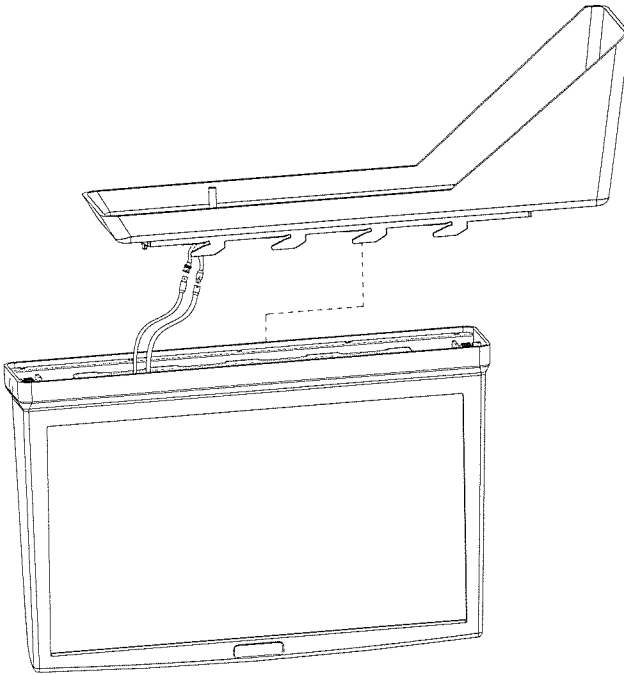


Figure 8

3.5 Using PH2 screwdriver to fasten the bolt clockwise

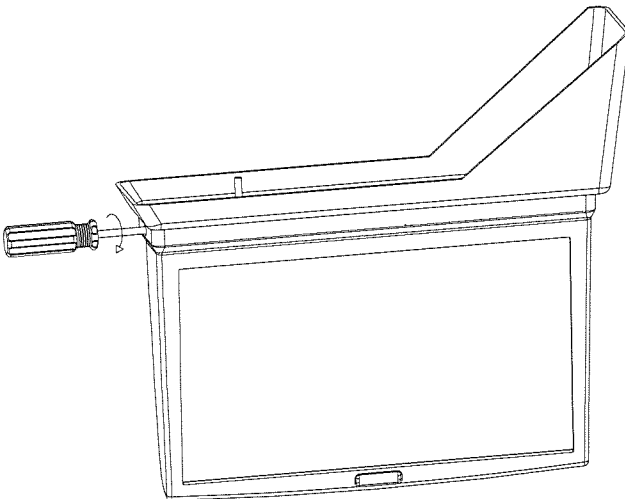


Figure 9

3.6 Take out two spout plugs from the accessories and plug into two side of monitor

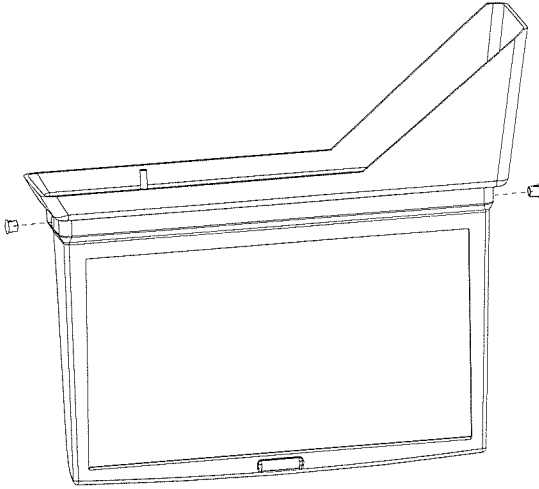


Figure 10

4. Left side mounting(faceing people):

- 4.1 As digit 5(show in figure 6) indicates nut faces aisle
- 4.2 Select 2 holes of "L" type(show in figure 6) and align to mounting bracket screw hole and lock the bolt
- 4.3 Get monitor ready and plug well the sockets
- 4.4 The monitor aims at the barcket and pushes left into the hook
- 4.5 Using Ph2 screwdriver to fasten the bolt clockwise
- 4.6 Take out two spout plugs from the accessories and plug into two side of monitor

VI. Remote control Instruction

There are seven buttons on the remote control:

1. "POWER" button, its function is to turn on or off monitor
2. "▼"DOWN, its function is to move down
3. "▲"UP, its function is to move up
4. "◀"LEFT, its function is to move left
5. "▶" RIGHT, its function is to move right and OK key
6. "MENU" button, its function is to adjust the monitor effect and BACK key
7. "P.M" button, its function is to choose the input source

(Notice:Remote control is optional)

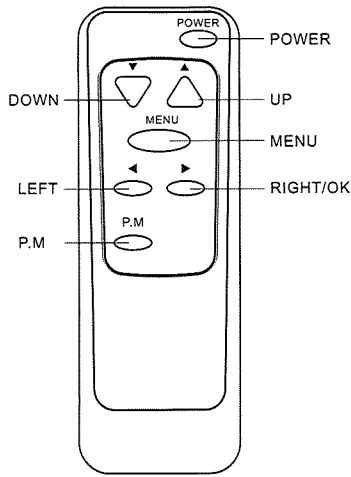


Figure11

VI. Operation Instruction

1.This monitor supports four kinds of input sources: AV, VGA, HDMIA and HDMIE.

You can use the "P.M" button to choose one kind according the video signal. It will display LOGO picture when there is no input source. After choosing, please remember to press "▶" RIGHT button to confirm.

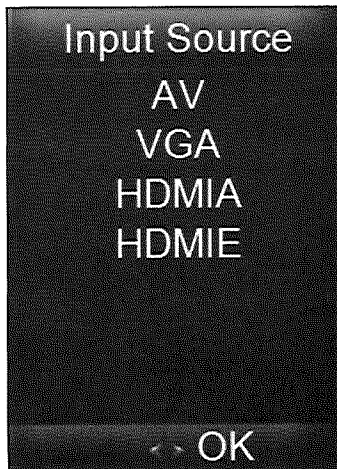


Figure12

2.The "MENU" button support four kinds of Picture Mode: Standard, Mild, User and Dynamic.

It has these parameters to adjust: Contrast (0~100)

Brightness (0~100)

Color (0~100)

Sharpness (0~100)

Tint (0~100, only AV)

Color Temperature (Medium, Warm, Cool)

Noise Reduction (High, Middle, Low and Off)

Aspect Ratio (16:9, 4:3, Auto, Panorama, Zoom1 and Zoom2).

After adjusting, please remember to press "▶" RIGHT button to confirm or "MENU" button to back.

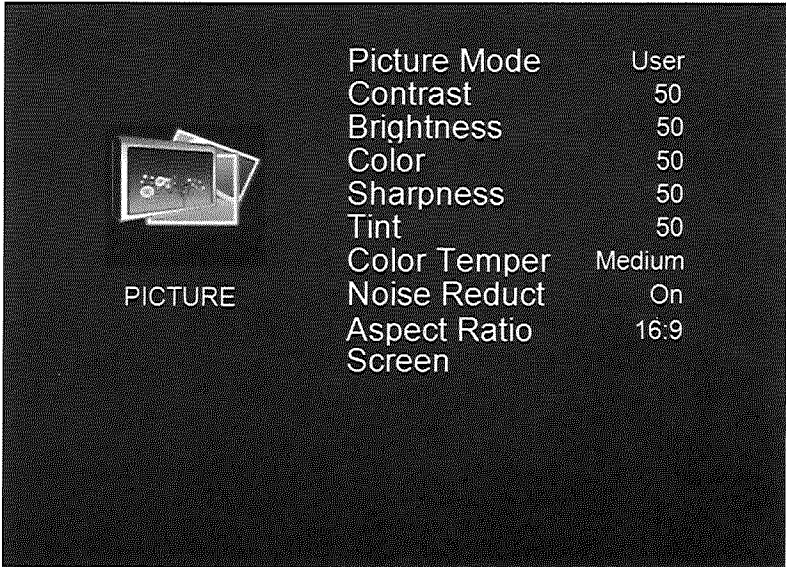


Figure13

90 000 G

