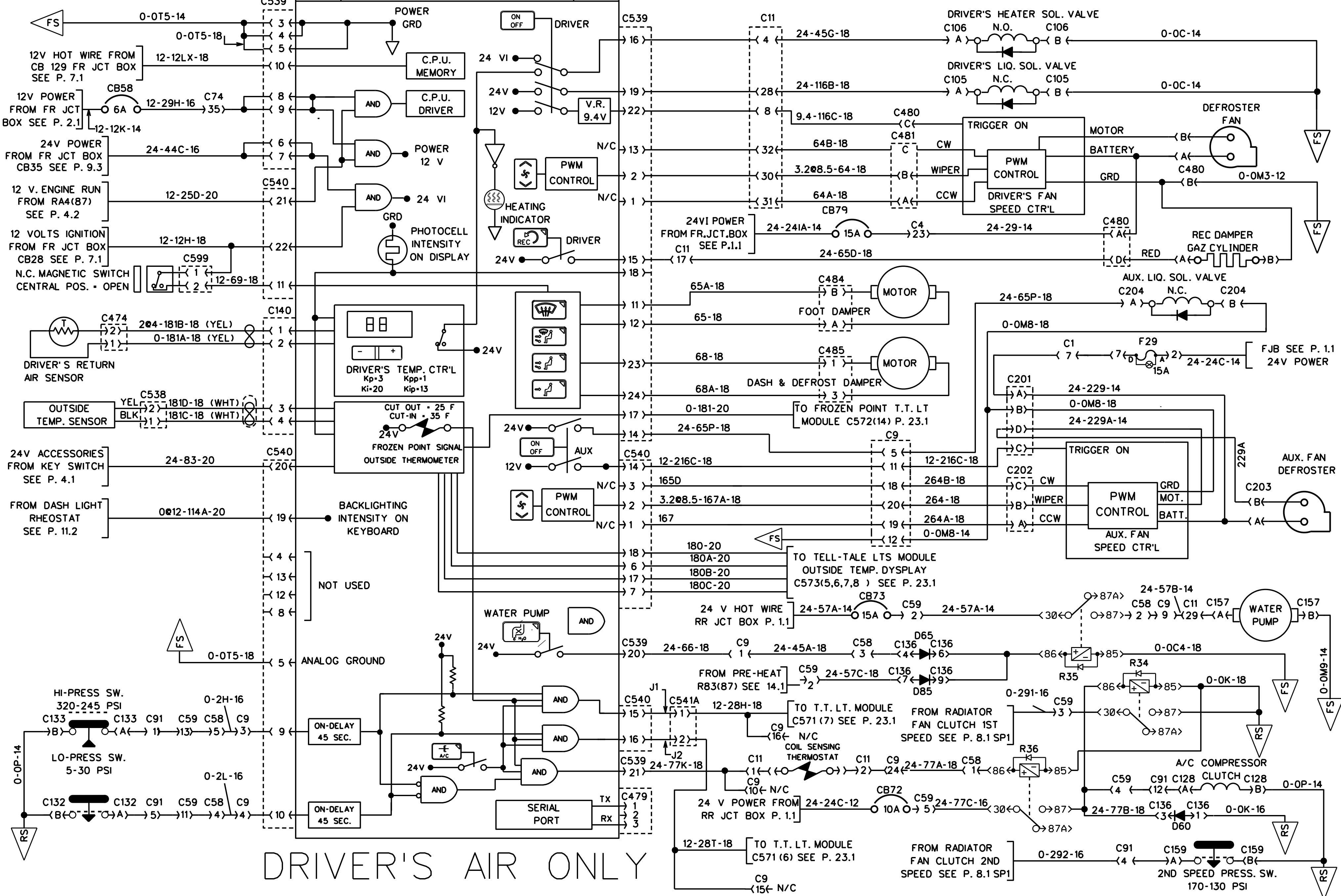


IN HVAC DASH MODULE OUT



DRIVER'S AIR ONLY