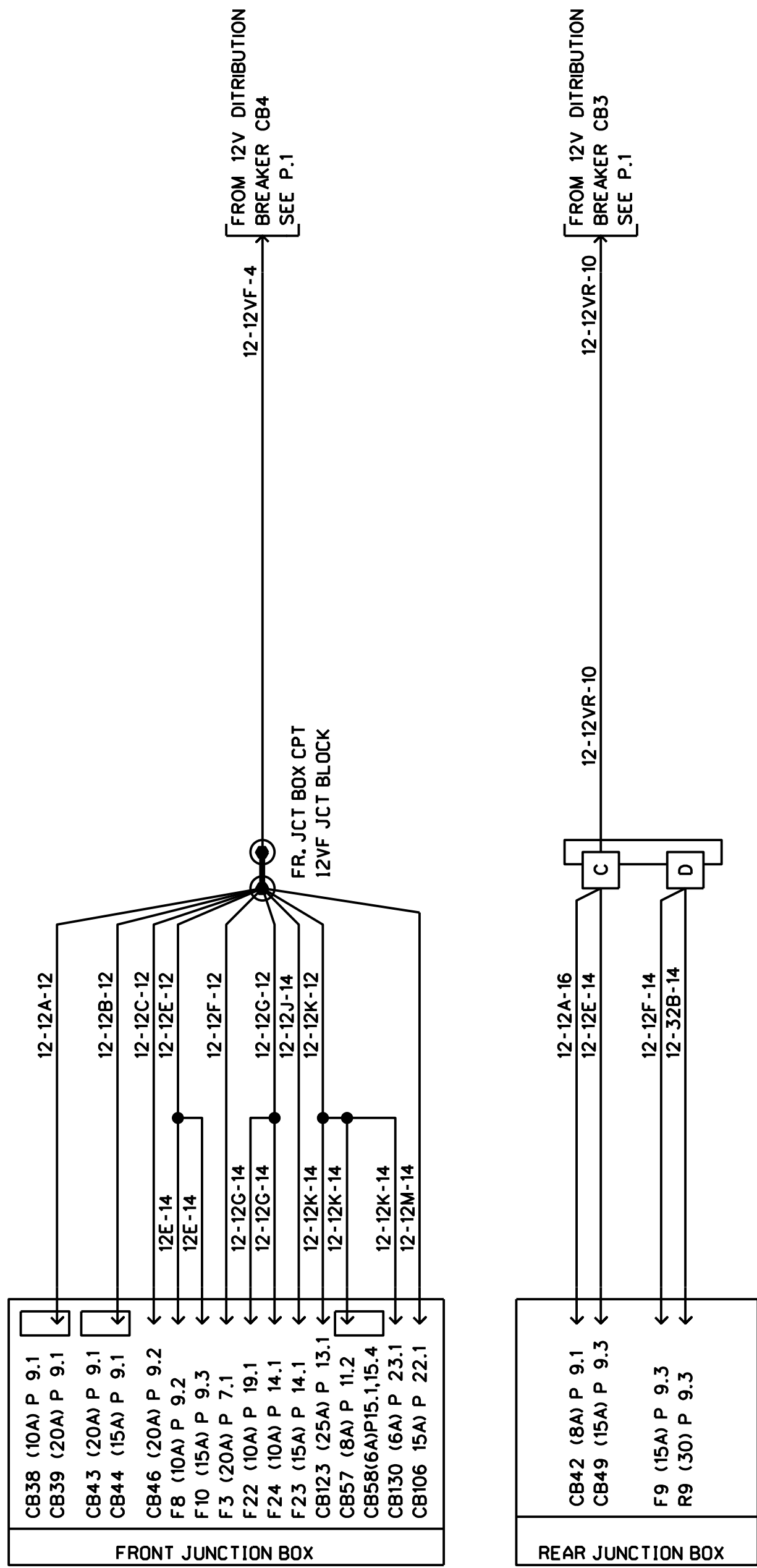
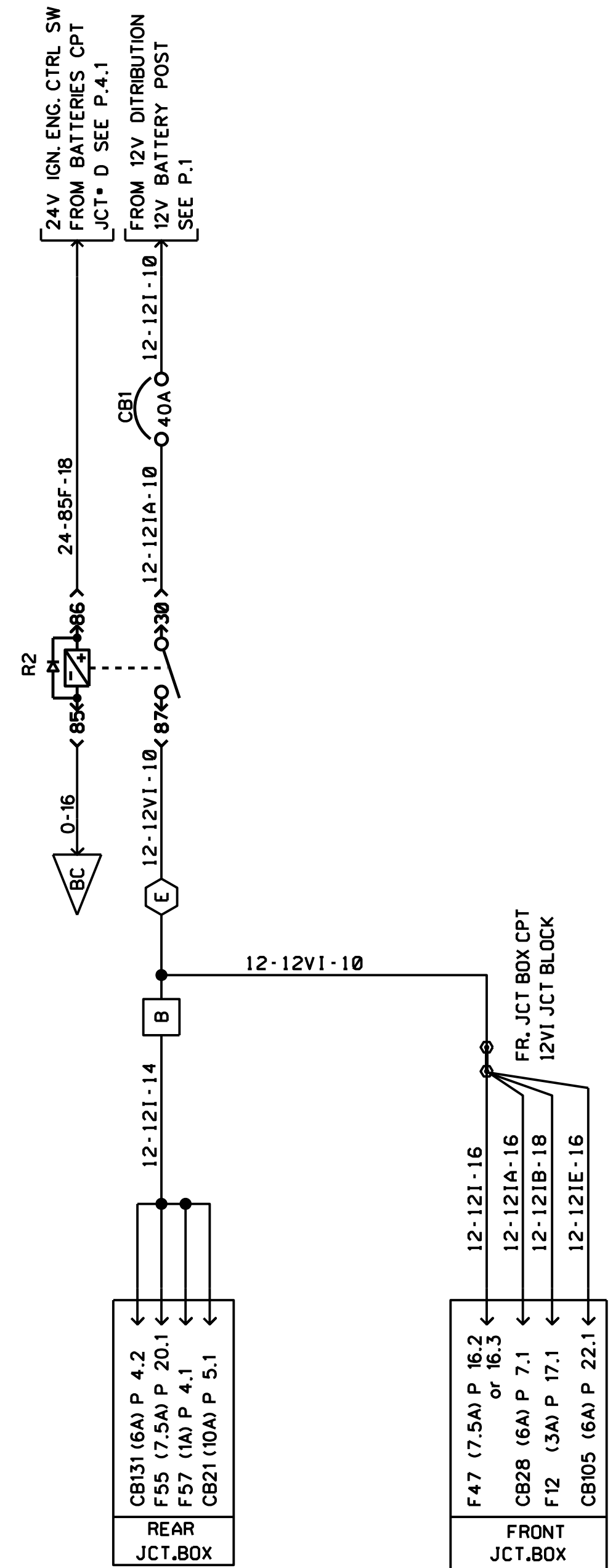


12V BATT. DISCONN. SW.



12V IGNITION



12V HOT WIRE

