

WORLD TRANSMISSION E.C.U.

PREVOST

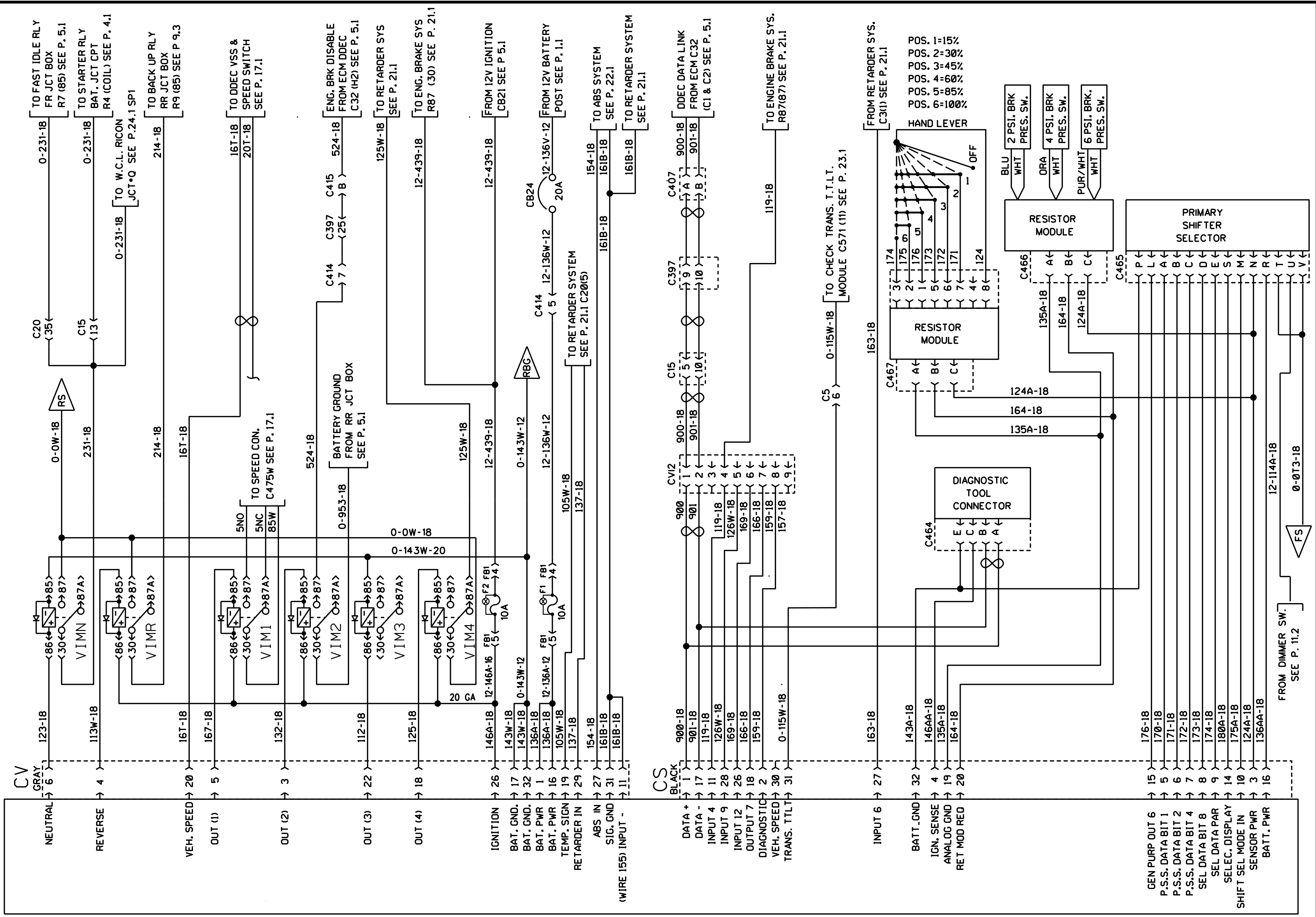
WIRING DIAGRAM

NO:

0060912

PAGE: **6.1 SP1**

REVISION
00



FROM DIMMER SW.
SEE P. 11.2

0-0T3-18

FS