

TO HI-BEAM T.T.L.T.
MODULE C572 (18) SEE P. 23.1

FROM 24V POWER
CB37 SEE P. 9.1

TO LO-BEAM R20 (86) P. 9.1
TO HI-BEAM R19 (86) P. 9.1
FROM HEAD & MARK. L.T. SW.
SEE P. 9.1

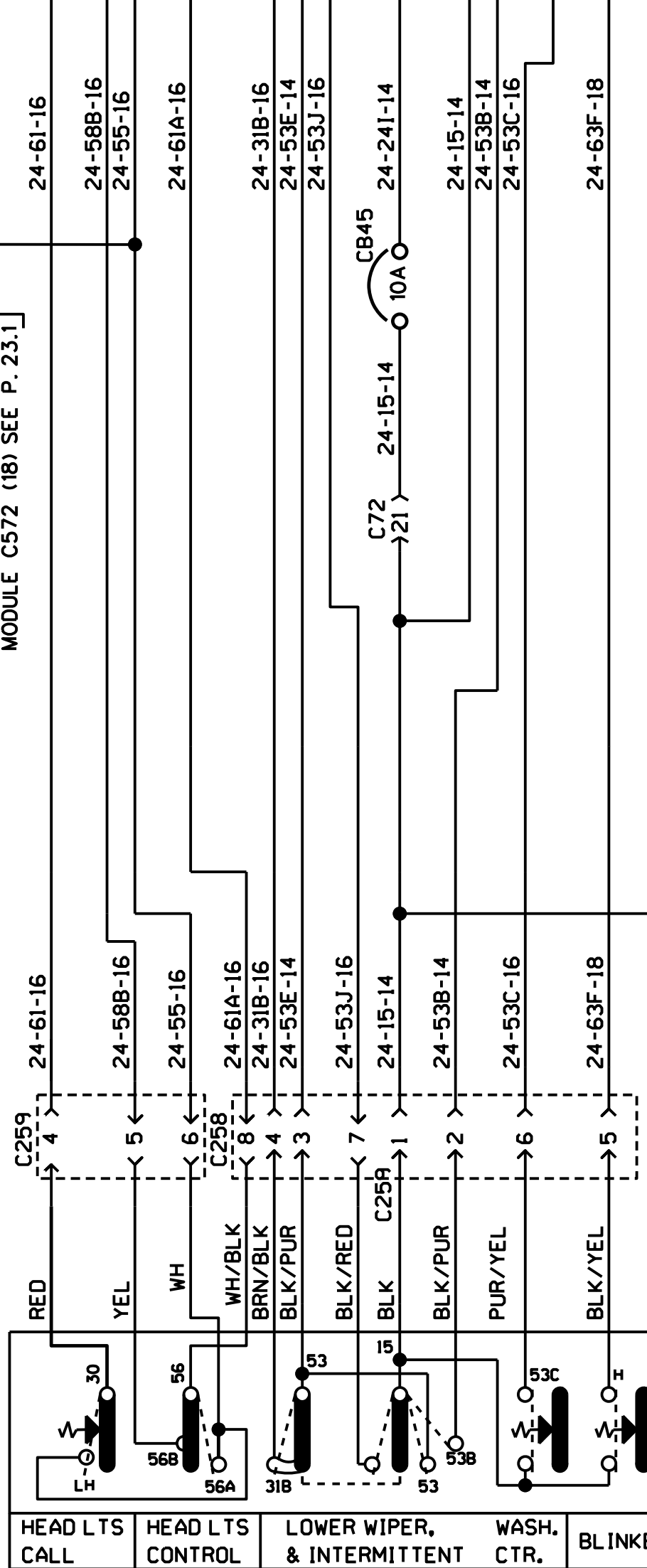
TO LOWER WIPER MOTOR &
PULSE GENERATOR
SEE P. 10.1

24V1 POWER
FROM FR. JCT. BOX
SEE P. 1.1

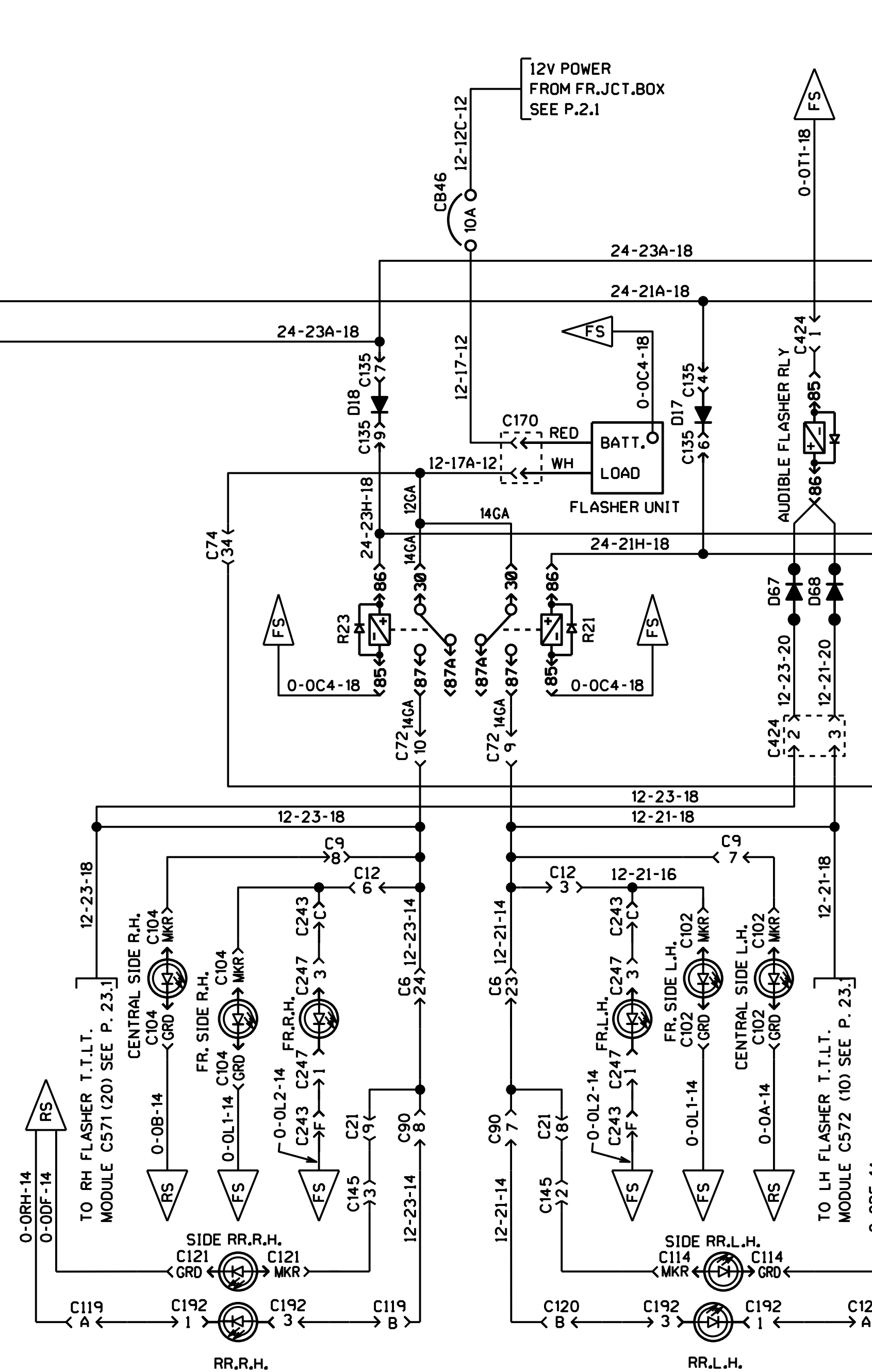
TO LOWER WIPER MOTOR
SEE P. 10.1

TO LOW WASHER MOT. &
PULSE GEN. SEE P. 10.1

TO BLINKER RLY R14 (86)
SEE P. 9.1

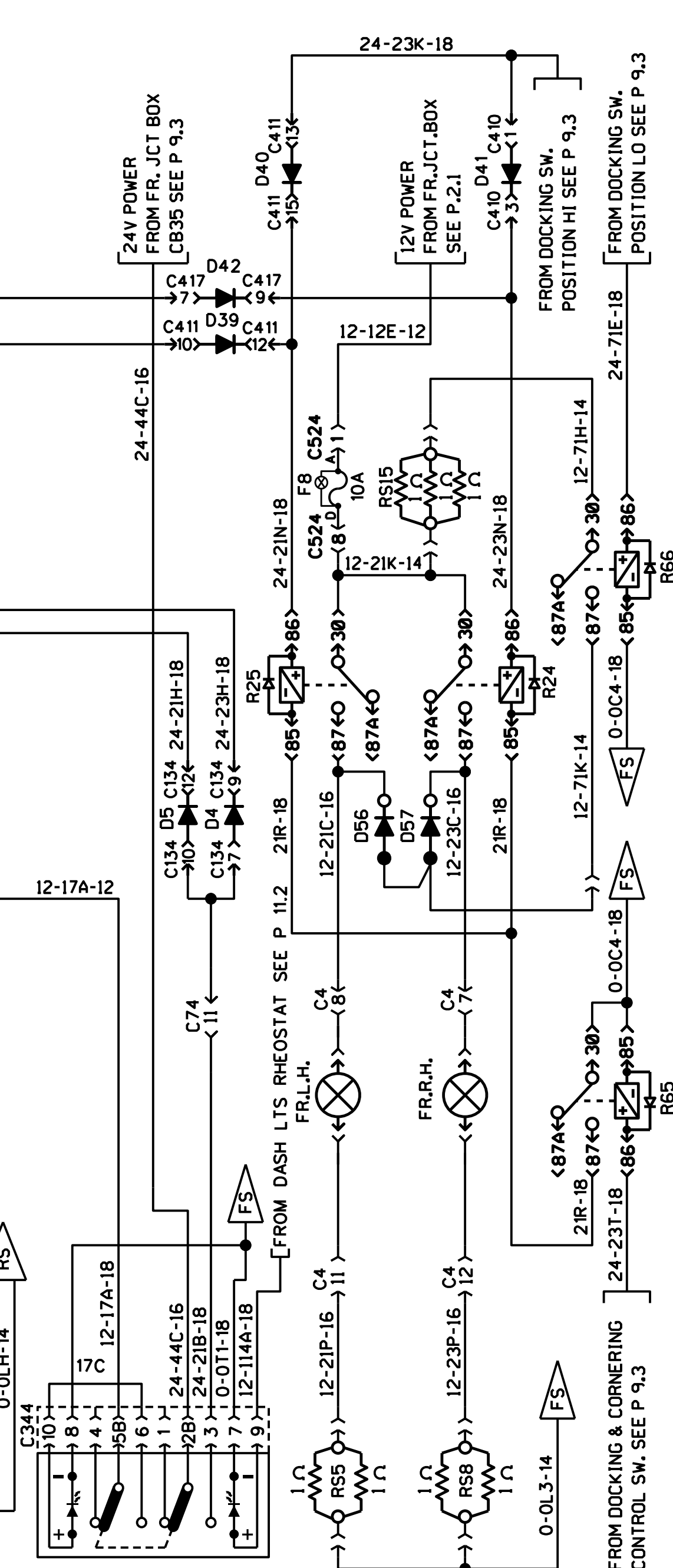


MULTI-FUNCTION LEVEL CTR. SW.



DIRECTIONAL & HAZARD LTS.

EXTERIOR LIGHTING



HAZARD SW.

CORNERING LTS.