

0

1

2

3

4

ENGINE

US14 VBC

WIRING DIAGRAM

A

A

B

B

C

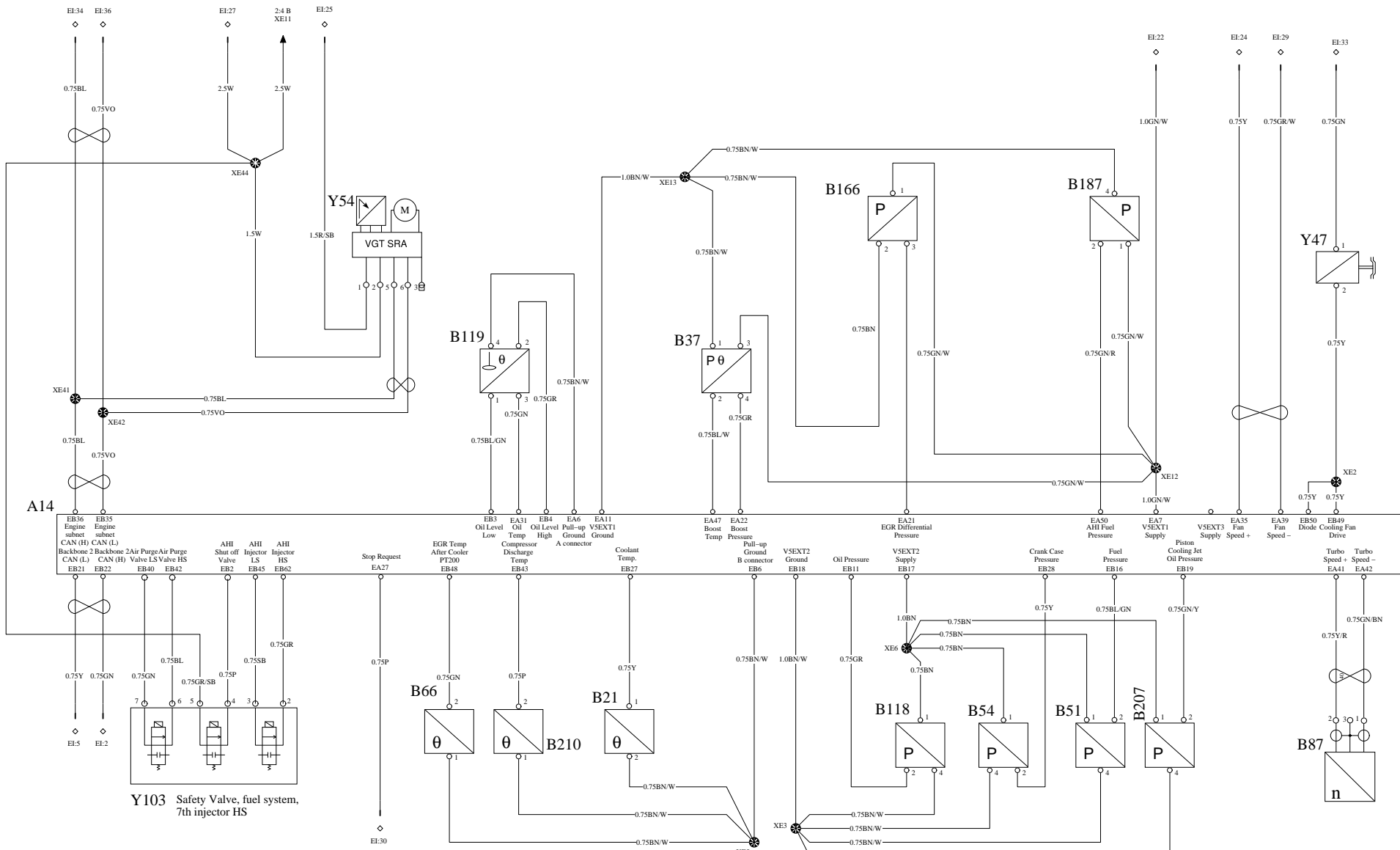
C

D

D

E

E



<p><b>VOLVO</b></p> <p>Group Trucks Technology</p>	<p>Document title</p> <p><b>WIRING DIAGRAM</b></p>	<p>Document No</p> <p><b>21798305</b></p>	<p>Issue</p> <p><b>03</b></p>	<p>Volume</p> <p><b>01</b></p>	<p>Page</p> <p><b>3(6)</b></p>
	<p>Document type</p> <p><b>INSTALLATION REQUIREMENT</b></p>				

0

1

2

3

4