

Carrier
Transicold

Transport
Air Conditioning

MODEL O5G
(Three Port Valve Plate)
BUS COMPRESSOR



**Service
Parts List**



TRANSCOLD

Service Parts List

Model 05G (Three Port Valve Plate) Bus Compressor

CONTENTS

INTRODUCTION	i
ORDERING INSTRUCTIONS	i
GENERAL NOTES	i
1 CRANKCASE AND SUCTION SERVICE VALVE	1
2 COMPRESSOR BASE GROUP	2
3 BEARING HEAD AND OIL PUMP	3
4 CRANKSHAFT, ROD AND PISTON GROUP	4
5 SHAFT END GROUP	5
6 UNLOADERS	6
7 CYLINDER HEAD (SIDE)	9
8 CYLINDER HEAD (CENTER)	9
9 VALVE PLATE ASSEMBLY	10
10 GASKET SET - FIBER UNIVERSAL	11
11 GASKET SET - METAL	12
12 CLUTCH ASSEMBLY - SHAFT MOUNTED	13
13 CLUTCH ASSEMBLY - HOUSING MOUNTED (WARNER)	14
14 CLUTCH ASSEMBLY - HOUSING MOUNTED (LINNIG)	16
15 UNLOADER KIT - PRESSURE TO ELECTRIC	18

Carrier Transcold. A member of the United Technologies Corporation family. Stock symbol UTX.

Carrier Transcold Division, Carrier Corporation, P.O. Box 4805, Syracuse, N.Y. 13221 U. S. A.

© 2005 CarrierCorporation • Printed in U. S. A. 0805



Carrier

A United Technologies Company

INTRODUCTION

This parts list identifies service replacement parts for the Model 05G Bus Compressors listed in the Model Chart below. To find replacement parts, determine the major group in which the replacement parts are located (refer to the Table of Contents) and turn to the appropriate page for the illustrated parts breakdown of the replacement parts. A detailed list of the tools needed to service the 05G compressor is found in the Service Tool List catalog 62-03213.

MODEL CHART

PART NO.	MODEL	OIL/APPLICATION	REMARKS
17-44053-02	05GX-37CFM for Shaft Mounted Clutch	Mineral Oil / R-12 / R-22	Remanufactured compressors (less service valves), with plugged heads for use with or without unloaders.
COMPRESSORS FOR HOUSING MOUNTED CLUTCH			
17-44054-02	05GX-37CFM	Mineral Oil / R-12	
17-44065-00	05GX-37CFM	No Oil / R-134a	
18-00059-169	05GX-37CFM W/Special Crankshaft	Alkyl Benzene Oil / R-22	
17-44061-00	05GX-37CFM	POE Oil / R-134a	
17-44062-00	05GX-41CFM	POE Oil / R-134a	

ORDERING INSTRUCTIONS

All orders and inquiries for parts must include: Unit Serial Number, Part no., description of part as shown on list and quantity required. Address all correspondence for parts to the following address:

CARRIER TRANSICOLD DIVISION
 Replacement Components Group, TR-20
 P.O. Box 4805, Syracuse, NY 13221.
 or
 Fax to: (315) 432-3778

GENERAL NOTES

To find replacement parts consult table of contents, and turn to the appropriate page for the illustrated breakdown of replacement parts. The following letter designations are used to classify parts throughout this list.

A/R *As Required*

NS *Not Shown* in the illustration

NSA *Non-Stock Assembly* - order components listed under the assembly.

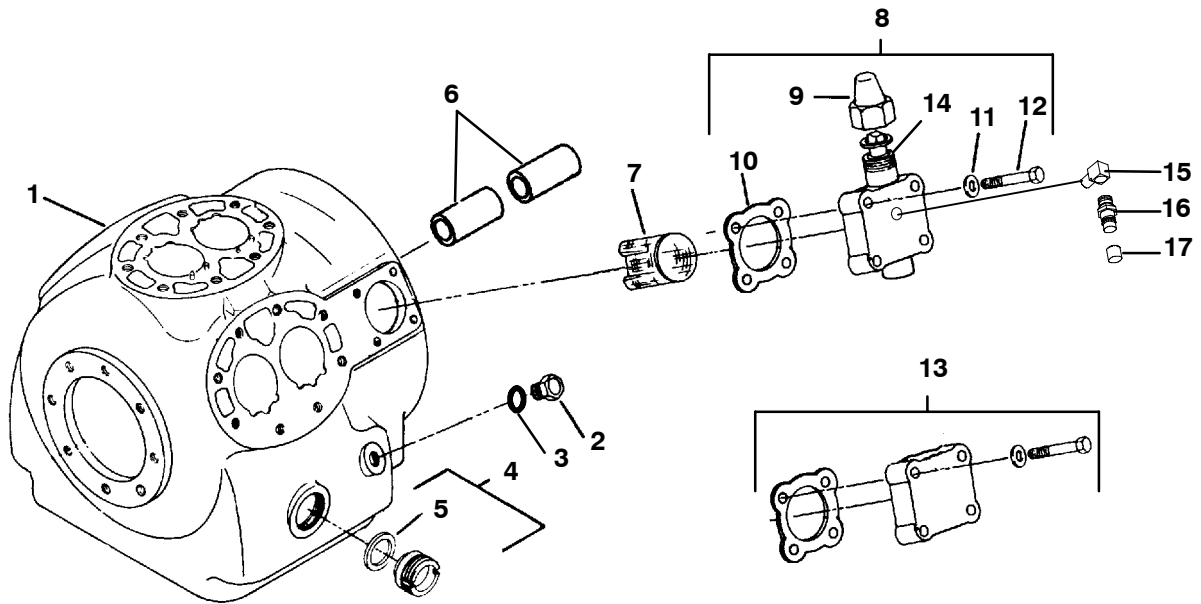
NSI *Non-Stock Item* - may be available on special order.

NSS *Not Sold Separately* - order next higher assembly or kit.

PL *Purchase Locally*

NLO *No Longer Offered*

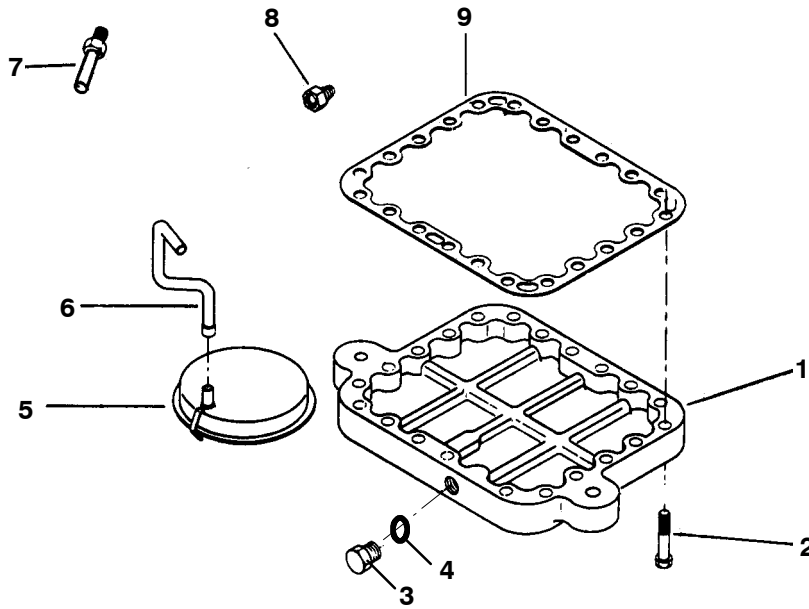
1 CRANKCASE AND SUCTION SERVICE VALVE



Fittings 15, 16, 17 can also be found in the Performance Parts Service Tool Catalog Number 62-03213

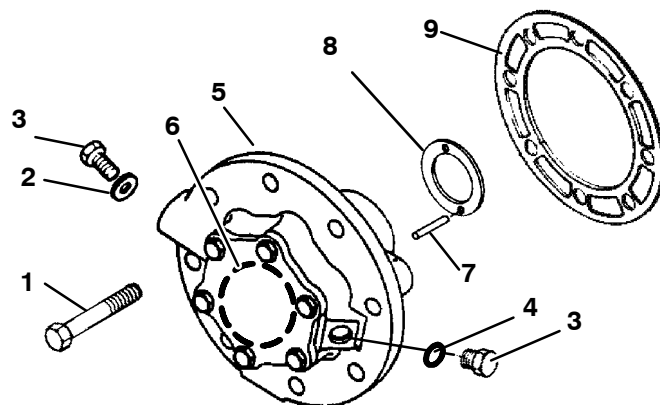
Item	Part Number	Description	Qty
1	NSA	Crankcase	1
2	--CA--63AA-051	Pipe Plug, 1/4-18NPT (package of 20)	3
	17-44037-00	Plug, O-Ring, 7/16-20 - Includes:	1
3	42-00243-07	O-Ring	1
4	17-10218-00	Sight Glass, Oil Level - Includes:	2
5	17-10218-02	Gasket	1
6	17-44015-00	Bearing, Main Seal End (Requires Line Boring)	2
7	17-44005-00	Strainer, Suction	1
8	17-31062-00	Valve, Service, 1-1/8 ODF - Includes:	1
9	17-10812-00	Cap, Service Valve (Plastic)	1
8	17-40002-01	Valve, Service, 1-3/8 ODF - Includes:	1
9	17-10812-00	Cap, Service Valve (Plastic)	1
10	17-40005-05	Gasket, Service Valve (Fiber)	1
11	17-40007-00	Gasket, Capscrew, 1/2 Inch	4
12	17-13020-00	Capscrew, 1/2-13 x 2-1/2 Inches Long - SAE Grade 8	4
9	17-10806-10	Cap, Service Valve (Brass)	1
10	17-44141-00	Gasket, Service Valve (Metal)	1
13	17-13006-00	Kit, Valve Pad Blank Off, 4 Bolt Suction Service Valve	1
14	17-13022-00	Packing, Service Valve Stem (package of 10)	1
15	40-00524-00	Elbow, 1/4 NPT x M13, Brass (for R-134a)	1
16	40-00520-00	Coupling, M13, R-134a, Brass - Includes:	1
17	40-00520-02	Cap, Service Port	1
16	O6DA-403---844	Valve, Access (1/4 Flare, Schrader) (for R-12, R-22)	1
17	--DD--19CA-061	Cap, 1/4 Flare, Schrader	1

2 COMPRESSOR BASE GROUP

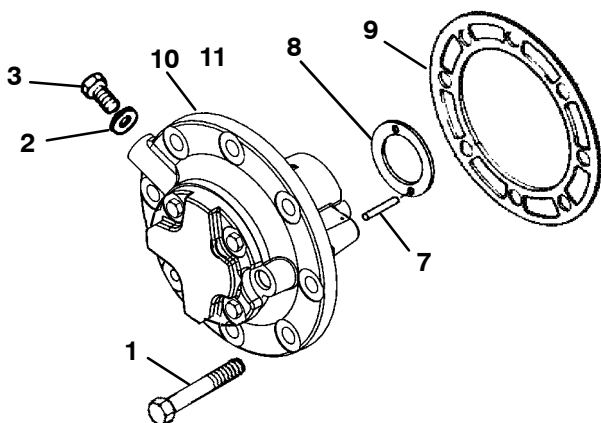


Item	Part Number	Description	Qty
1	17-44035-00	Plate, Bottom, Aluminum	1
	17-44026-00	Plate, Bottom, (Power Pack Compressors)	1
2	17-44117-00	Capscrew, Hex Head, 3/8-16 x 2-1/4 Inches Long - SAE Grade 8	22
3	--CA--63AA-051	Pipe Plug, 1/4-18NPT (package of 20)	1
	17-44037-00	Plug, O-Ring, 7/16-20 - Includes:	1
4	42-00243-07	O-Ring	1
5	17-40020-00	Oil Filter Screen Assembly	1
6	17-40021-00	Tube, Oil Suction	1
7	17-44011-00	Oil Relief Valve	1
8	17-40042-00	Oil Return Check Valve Assembly	2
9	17-40033-05	Gasket, Bottom Plate	1

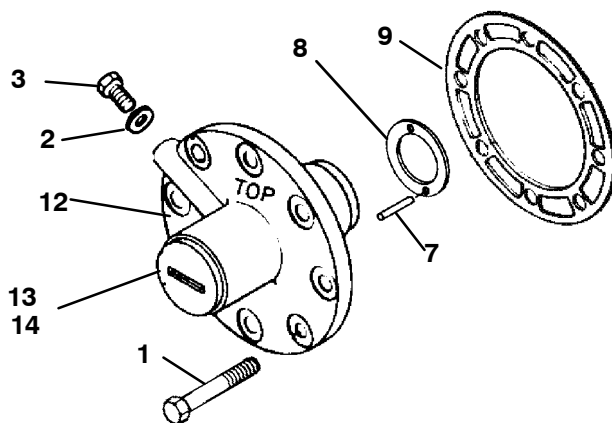
3 BEARING HEAD AND OIL PUMP



UNIVERSAL PUMP



LOW PROFILE PUMP (NLO)

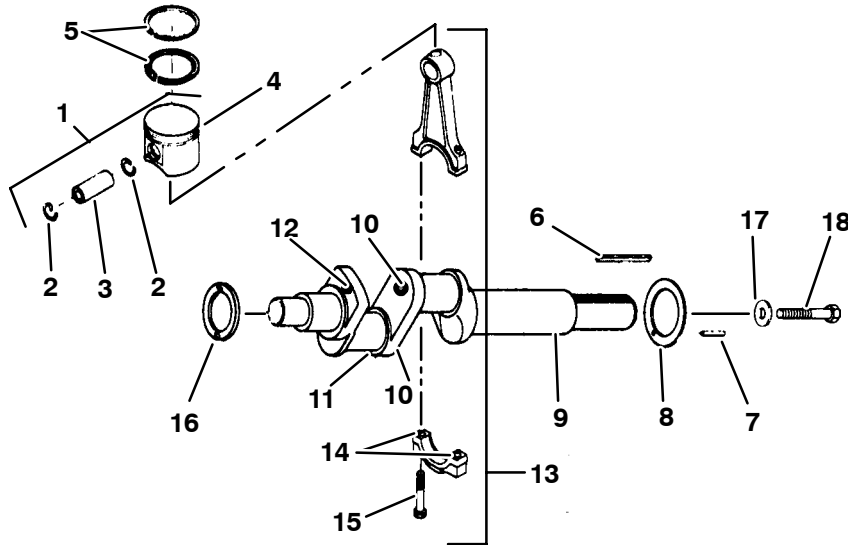


GEAR PUMP (NLO)

Item	Part Number	Description	Qty
1	17-10308-00	Capscrew, Hex Head, 3/8-16 x 1-1/4 Inches Long - SAE Grade 5	8
2	17-40019-00	Gasket, Capscrew	1
3	--AA--06GS-228	Capscrew, 3/8-16 x 3/4 Inch Long (package of 20)	1
	17-44037-00	Plug, O-Ring, 7/16-20 - Includes:	1
4	42-00243-07	O-Ring	1
5	17-44137-00	Oil Pump and Bearing Head (Universal Gear Pump)	1
6	17-44139-00	O-Ring, Pump Cover Plate	1
7	17-40204-00	Pin, Roll, 1/8 x 1/2 Inch	2
8	17-55009-01	Thrustwasher, Pump End	1
9	17-40078-05	Gasket, Bearing Head (Fiber)	1
	17-44022-00	Gasket, Bearing Head (Metal)	1
10	SEE NOTE	Oil Pump and Bearing Head Assembly (Low Profile Gear Pump)	1
11	42-00045-01	O-Ring	1
12	SEE NOTE	Oil Pump and Bearing Head Assembly (Gear Pump) - Includes:	1
13	17-44033-01	Cover Assembly, Screw - Includes:	1
14	17-44033-02	Gasket, O-Ring	1

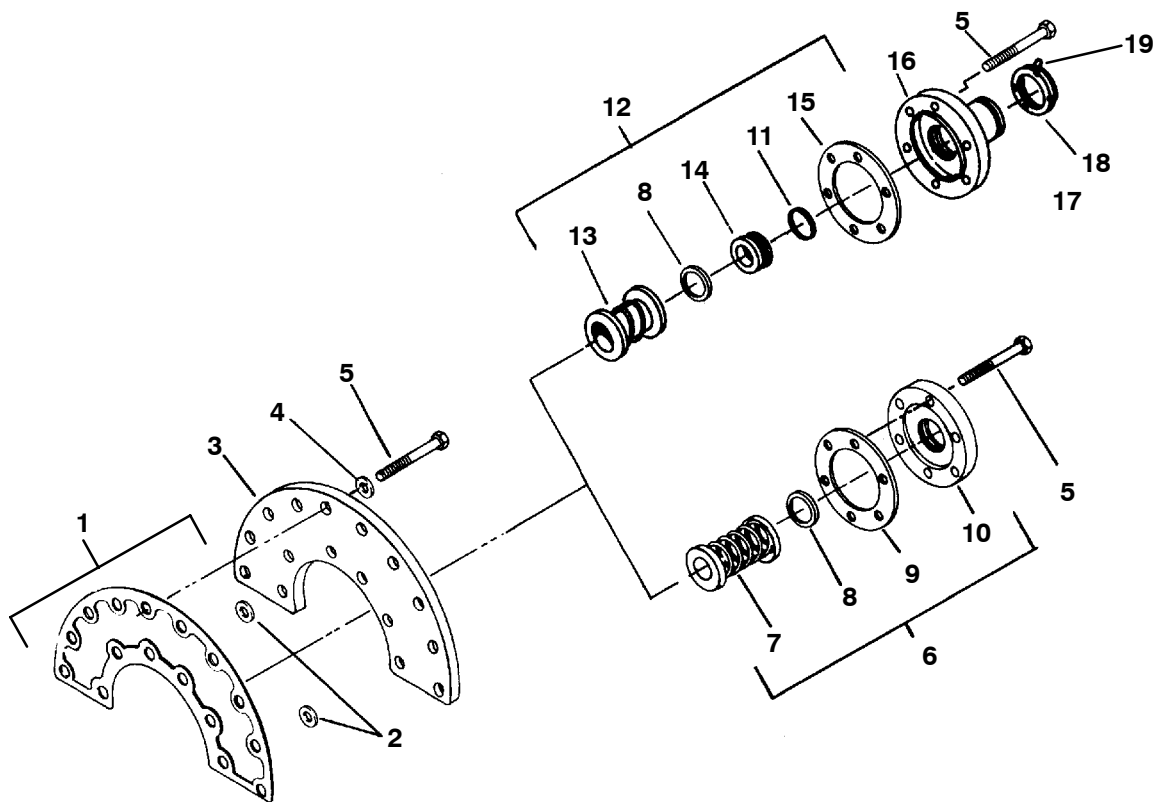
NOTE: Low Profile and Gear Oil Pump Bearing Head Assemblies are no longer offered use the Universal Gear Pump (Item 5).

4 CRANKSHAFT, ROD AND PISTON GROUP



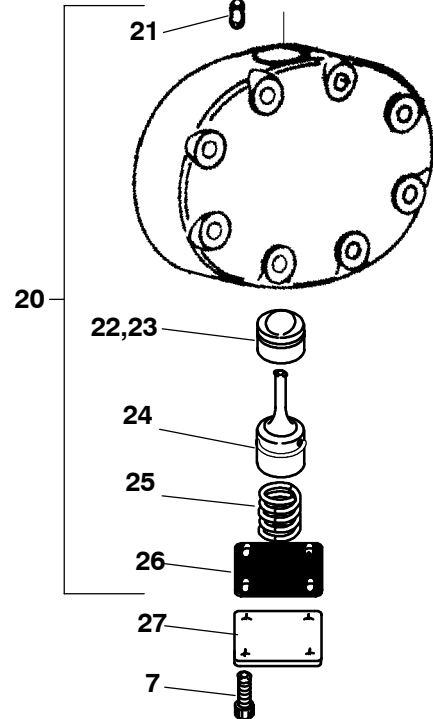
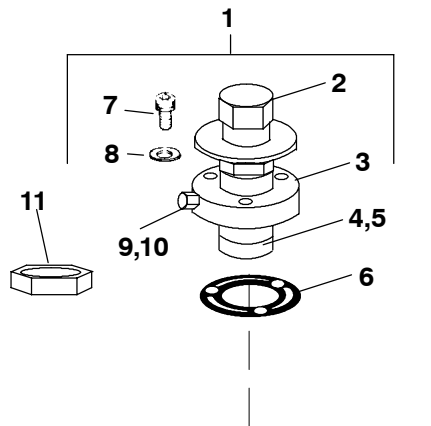
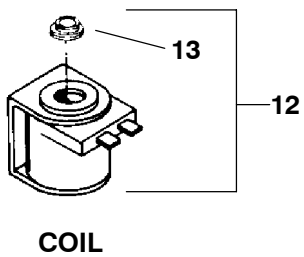
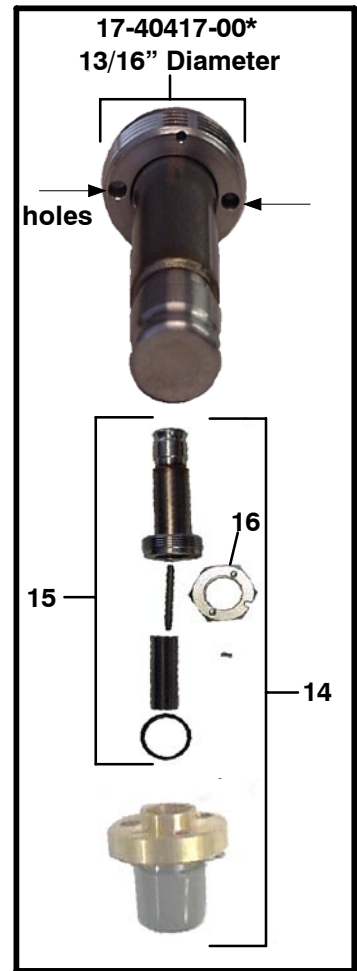
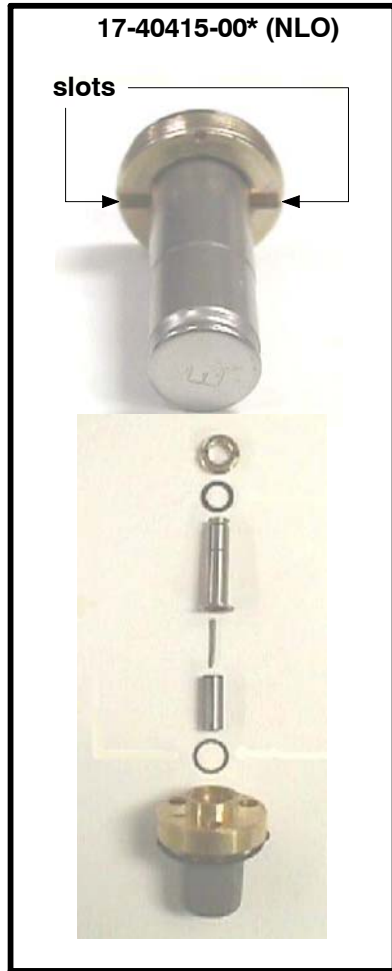
Item	Part Number	Description	Qty
1	17-44045-01	Piston and Pin (Standard - O5G37) Includes:	6
	17-44045-03	Piston and Pin (.020 Inch Oversize - O5G37) Includes:	6
	17-44121-01	Piston and Pin (Standard - O5G41) Includes:	6
	17-44122-01	Piston and Pin (.020 Inch Oversize - O5G41) Includes:	6
2	17-40053-00	Retainer, Piston Pin	2
3	NSS	Pin, Piston	1
4	NSS	Piston	1
5	17-40055-00	Ring, Compression (Standard)	12
	17-55025-00	Ring, Compression (.020 Inch Oversize)	12
	17-40054-00	Ring, Oil (Used on old 5G37 pistons with wider lower ring groove)	A/R
6	17-40324-00	Key, Crankshaft, 1/4 x 1/4 x 1-1/2 Inches Long (For Shaft Mounted Clutch)	1
	68G2-9072	Key, Crankshaft (For Housing Mounted Clutch)	1
7	17-44036-00	Pin, Spiral, 1/8 x 1/2 Inch Long	2
8	17-44008-00	Thrustwasher, Seal End	1
9	17-40410-00	Crankshaft Assembly (O5G37 Gear Pump) - Includes:	1
	17-40412-00	Crankshaft Assembly (O5G41 Gear Pump) - Includes:	1
10	17-40317-00	Expansion Plug	2
11	--AF--55CQ-164	Setscrew, 1/4-28 x 1/2 Inch Long	1
12	34-00300-07	Capscrew, Hex Head, 1/4-20 x 7/8 Inch Long - Grade 5	1
13	17-40056-02	Connecting Rod and Cap Assembly (Standard) - Includes:	6
	17-55023-00	Connecting Rod and Cap Assembly (.010 Inch Undersize) - Includes:	A/R
14	17-40057-00	Pin, Dowel	2
15	17-55008-00	Capscrew (Special)	2
16	17-55009-01	Thrustwasher, Pump End	1
17	34-00616-00	Washer, 13/32 ID x 1-1/2 OD x 3/16 Thick	1
18	34-00613-07	Capscrew, Hex Head, 3/8 UNF x 7/8 Inch Long - SAE Grade 8	1

5 SHAFT END GROUP



Item	Part Number	Description	Qty
1	17-44118-00	Gasket, Shaft End Cover	1
2	17-44014-00	Gasket, Flange Spacer	2
3	17-44127-00	Flange, Shaft End	1
4	17-40019-00	Gasket, Capscrew	21
5	17-10308-00	Capscrew, 3/8-16 x 1-1/4 Inches Long - SAE Grade 5	21
6	17-44145-00	Seal Assembly (Shaft Mounted Clutch) - Includes:	1
7	NSS	Spring, Shaft Seal	1
8	17-44131-01	Washer, Carbon	1
9	17-44004-06	Gasket, Seal Cover - Steel	1
10	NSS	Seal Cover, Shaft	1
11	17-44043-02	O-Ring Used with Silicone Carbide	1
12	17-44150-00	Seal Assembly (Silicone Carbide, Housing Mounted Clutch) - Includes:	1
8	17-44131-01	Washer, Carbon	1
13	NSS	Spring, Shaft Seal	1
14	NSS	Ring, Wear	1
11	17-44043-02	O-Ring	1
15	17-44004-05	Gasket, Seal Cover - Fiber	1
9	17-44004-06	Gasket, Seal Cover - Steel	1
16	17-44041-01	Hub, Clutch Mounting - Includes:	1
17	17-44042-00	Ring, Felt and Retainer	1
18	34-01161-00	Nut, Hub, With Grease Fitting Port (Fitting Not Included)	1
19	40-01132-00	Fitting, Grease, 1/4-18	1

6 UNLOADERS

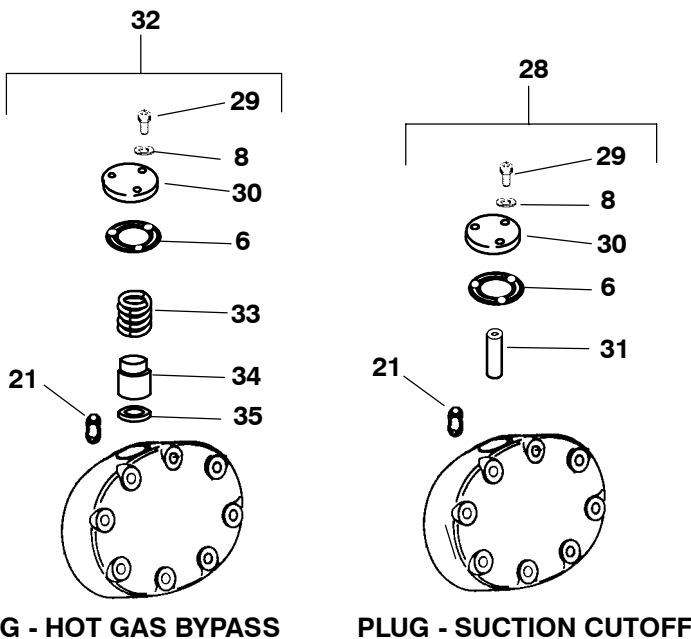


* **NOTE:** If Unloader 17-40415-00 needs stem repair, Unloader 17-40417-00 is to be substituted, entirely.
17-40417-00 Replaces all previous unloaders.

6 UNLOADERS (Continued)			
Item	Part Number	Description	Qty
1	17-55018-01	Valve Assembly (Pressure) - Includes:	A/R
2	NSS	Power Assembly, Unloader (Suction Pressure Activated)	1
3	NSS	Body Assembly, Valve	1
4	17-40409-00	Piston (For Hot Gas Bypass Unloaders) - Includes:	1
5	17-55010-00	Ring, Piston	1
6	17-40104-07	Gasket, Unloader Valve	1
7	17-40111-00	Screw, Socket Head, 1/4-28 x 3/4 Inch Long	1
8	17-40104-20	Gasket, Socket Head Screw, 1/4 Inch	1
9	17-55028-00	Cap, Adjustment Screw	1
10	42-50019-00	O-Ring, Adjustment Screw Cap	1
11	34-01139-00	Nut, Unloader Adjuster Lock	1
12	22-02567-00	Coil, Valve, 12 VDC with Spade Terminal - Includes:	A/R
	14-00143-07	Coil, Valve, 12 VDC with 6 inch wire leads - Includes:	A/R
	22-50030-00	Coil, Valve, 24 VDC with 42 inch wire leads - Includes:	A/R
	22-02567-01	Coil, Valve, 24 VAC with Spade Terminal - Includes:	A/R
	16-00149-00	Coil, Valve, 115 VAC with 42 inch wire leads - Includes:	A/R
	17-10829-00	Coil, Valve, 230 VAC with 42 inch wire leads - Includes:	A/R
13	17-40408-02	Cap, Snap	1
14	17-40417-00	Valve Assembly (Electric) - Includes:	A/R
3	NSS	Body Assembly, Valve	1
4	17-40409-00	Piston (For Hot Gas Bypass Unloaders) - Includes:	1
5	17-55010-00	Ring, Piston	1
6	17-40104-07	Gasket, Unloader Valve	1
7	17-40111-00	Screw, Socket Head, 1/4-28 x 3/4 Inch Long	1
8	17-40104-20	Gasket, Socket Head Screw, 1/4 Inch	1
15	17-40418-00	Kit, Valve Stem Repair (For 17-40417-00) - Includes:	1
16	NSS	Tool, Installation Remover (13/16 Inch Nut)	1
17	16-00143-01	Kit, Valve Stem Repair (For 17-40407-20- NLO) - Includes:	1
18	NSS	Tool, Installation Remover (1 Inch Nut)	1
19	17-55022-00	O-Ring	1
20	17-21055-00	Kit, Repair (For Suction Cutoff Unloaders) - Includes:	2
21	17-40108-00	Strainer	1
22	17-21047-00	Ring, Piston	1
23	NSS	Piston	1
24	NSS	Body, Valve	1
25	17-21044-00	Spring, Compression	1
26	17-21046-00	Gasket, Valve Cover	1
27	17-21045-00	Cover, Valve	1
7	17-40111-00	Screw, Socket Head, 1/4-28 x 3/4 Inch Long	4

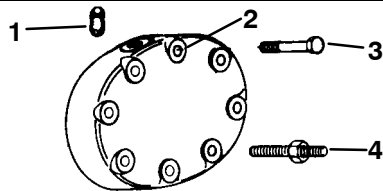
NOTE: 17-40407-20 and 17-40415-00 Unloader Assemblies are no longer offered, use Item 14.

6 UNLOADERS (Continued)

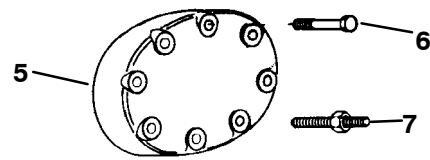


Item	Part Number	Description	Qty
28	17-21056-00	Kit, Plug (Suction Cutoff To Fully Loaded) - Includes:	A/R
29	17-10721-00	Screw, Socket Head, 1/4-28 x 1 Inch Long	3
30	NSS	Plate, Cover	1
31	NSS	Sleeve, Plug	1
6	17-40104-07	Gasket, Unloader Valve	1
8	17-40104-20	Gasket, Socket Head Screw, 1/4 Inch	1
32	17-55013-00	Kit, Plug (Hot Gas Bypass To Fully Loaded) - Includes:	A/R
33	NSS	Spring	1
34	NSS	Plug	1
35	17-55014-00	Ring, Seat	1
6	17-40104-07	Gasket, Unloader Valve	1
8	17-40104-20	Gasket, Socket Head Screw, 1/4 Inch	1
21	17-40108-00	Stainer	1
29	17-10721-00	Screw, Socket Head, 1/4-28 x 1 Inch Long	3
30	NSS	Plate, Cover	1

7 CYLINDER HEAD (SIDE)



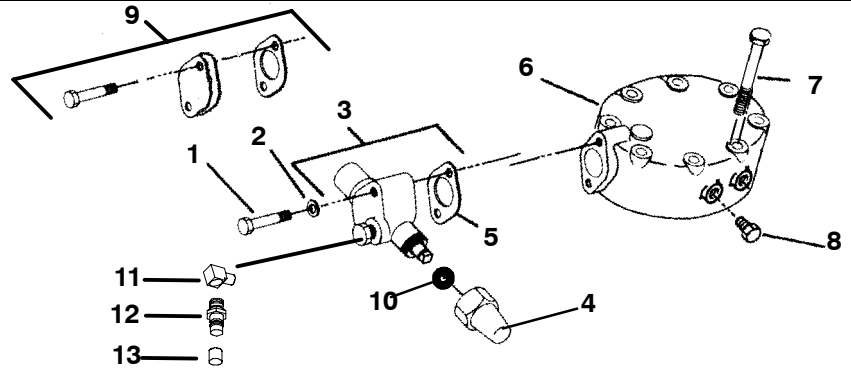
UNLOADER CYLINDER HEAD



NO UNLOADER

Item	Part Number	Description	Qty
1	17-40108-00	Strainer	2
2	17-21041-00	Cylinder Head - Side Banks (Suction Cutoff Unloader)	2
	17-40104-05	Cylinder Head - Side Banks (Hot Gas Bypass Unloader)	2
	17-44084-00	Cylinder Head - Side Banks -Shaved (Hot Gas Bypass Unloader)	A/R
3	17-10224-05	Capscrew, Hex Head, 3/8-16 x 3-1/4 Inches Long - SAE Grade 8	16
4	17-44017-00	Stud, Cylinder Head, 3/8-16 x 4-1/4 Inches Long	A/R
5	17-40015-00	Cylinder Head - Side Bank (No Unloader)	2
6	17-44116-00	Capscrew, Hex Head, 3/8-16 x 2-3/4 Inches Long - SAE Grade 8	16
7	17-44017-01	Stud, Cylinder Head, 3/8-16 x 3-3/4 Inches Long	A/R

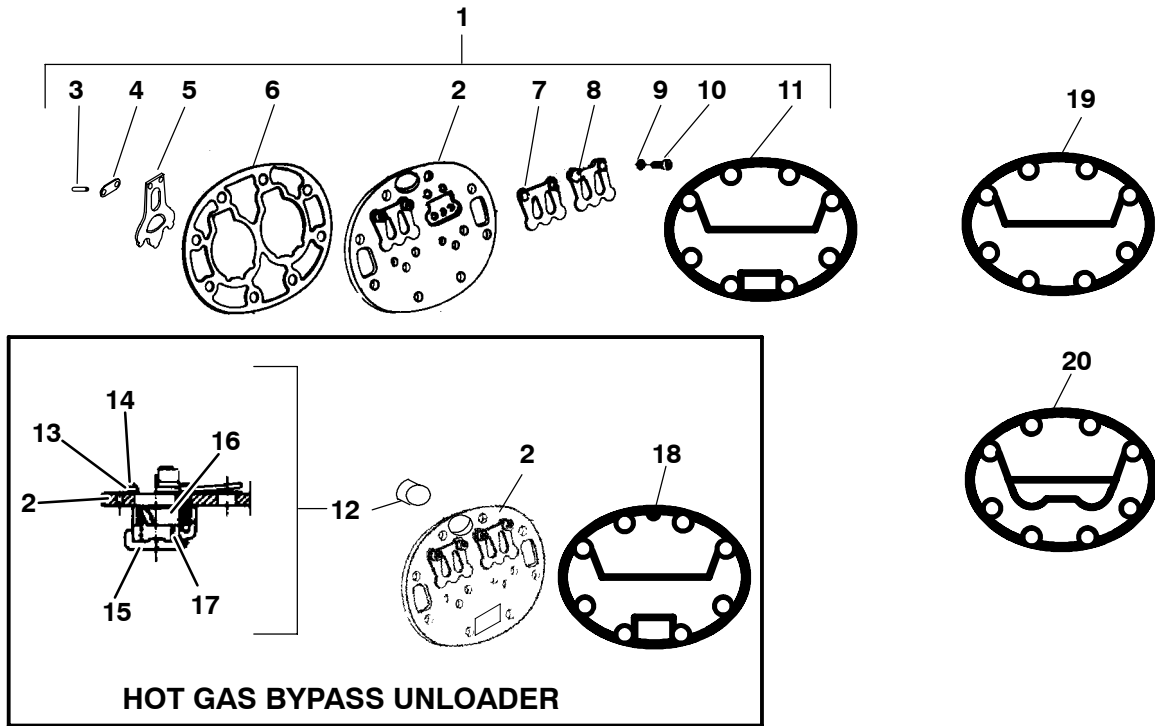
8 CYLINDER HEAD (CENTER)



Fittings 11, 12, 13 can also be found in the Performance Parts Service Tool Catalog Number 62-03213

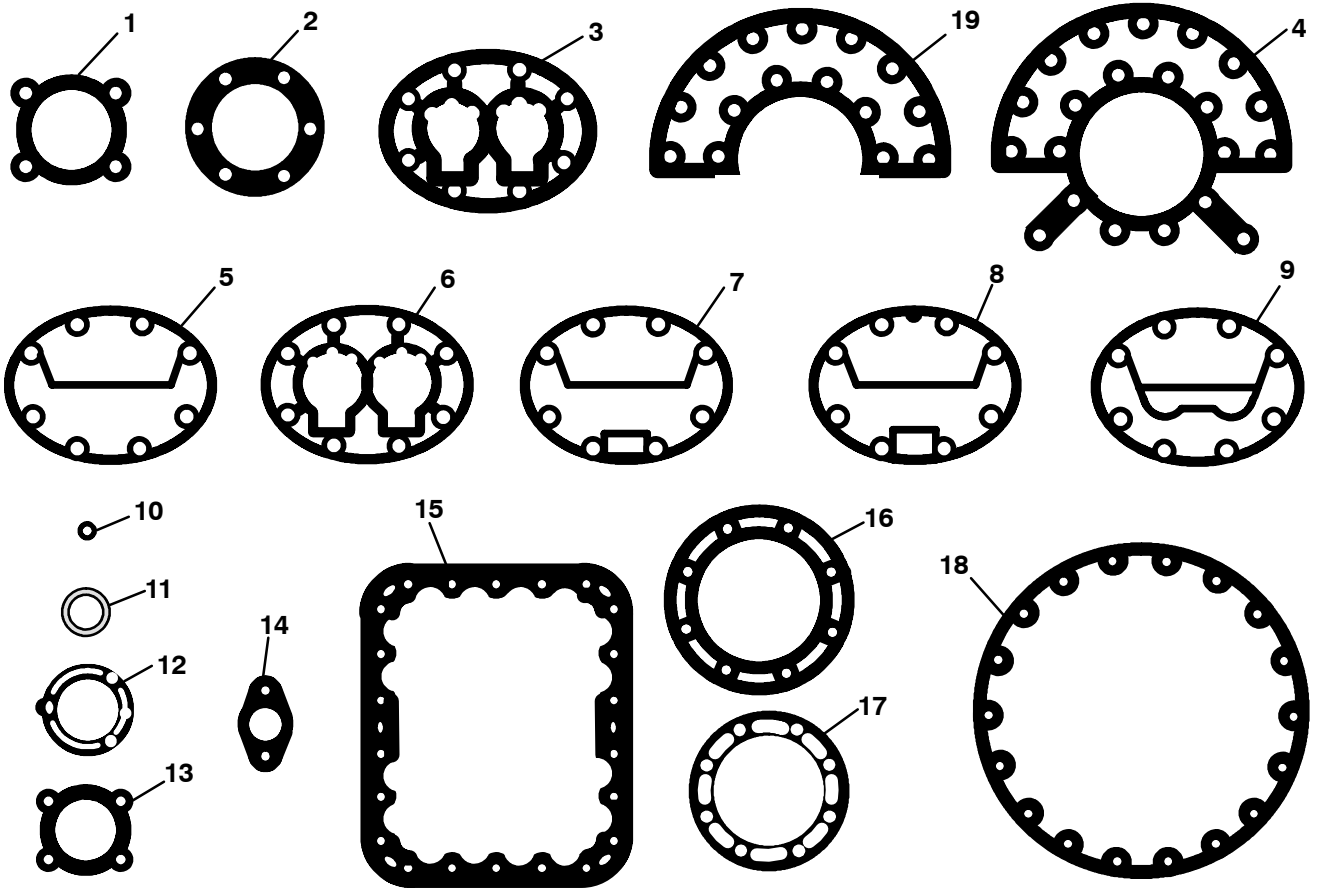
Item	Part Number	Description	Qty
1	17-40012-00	Capscrew, Hex Head, 5/16-18 x 2 Inches Long - SAE Grade 8	2
2	17-40013-00	Gasket, Capscrew, 5/16 Inch	2
3	17-01042-04	Valve, Service 7/8 Inch ODF (1/8 Inch FPT Gauge Port)- Includes:	1
	14-00206-01	Valve, Service 7/8 Inch ODF (M15 Gauge Port For R-134a) - Includes:	1
4	17-10812-00	Cap, Service Valve (Plastic)	1
5	17-10811-05	Gasket, Service Valve (Fiber)	1
	17-44138-00	Gasket, Service Valve (Metal)	1
4	17-10806-10	Cap, Service Valve (Brass)	1
6	17-40016-01	Cylinder Head - Center Bank	1
7	17-10224-05	Capscrew, Hex Head, 3/8-16 x 3-1/4 Inches Long - SAE Grade 8	8
8	--CA--63AA-051	Pipe Plug, 1/4-18NPT (package of 20)	2
9	17-13004-00	Kit, Valve Pad Blank Off, 2 Bolt Suction Service Valve	1
10	17-13022-00	Packing, Service Valve Stem	1
11	40-00524-01	Elbow, 1/8 MPT x M15 - Brass (for R-134a)	1
12	40-00520-01	Coupling, M15, High Side - Brass - Includes:	1
13	40-00520-03	Cap, Service Port	1
11	40-00060-08	Elbow, 1/8 MPT x 1/4 FPT - Brass (for R-12, R-22)	1
12	O6DA-403--844	Valve, Access (1/4 Flare, Schrader)	1
13	--DD--19CA-061	Cap, 1/4 Flare, Schrader	1

9 VALVE PLATE ASSEMBLY



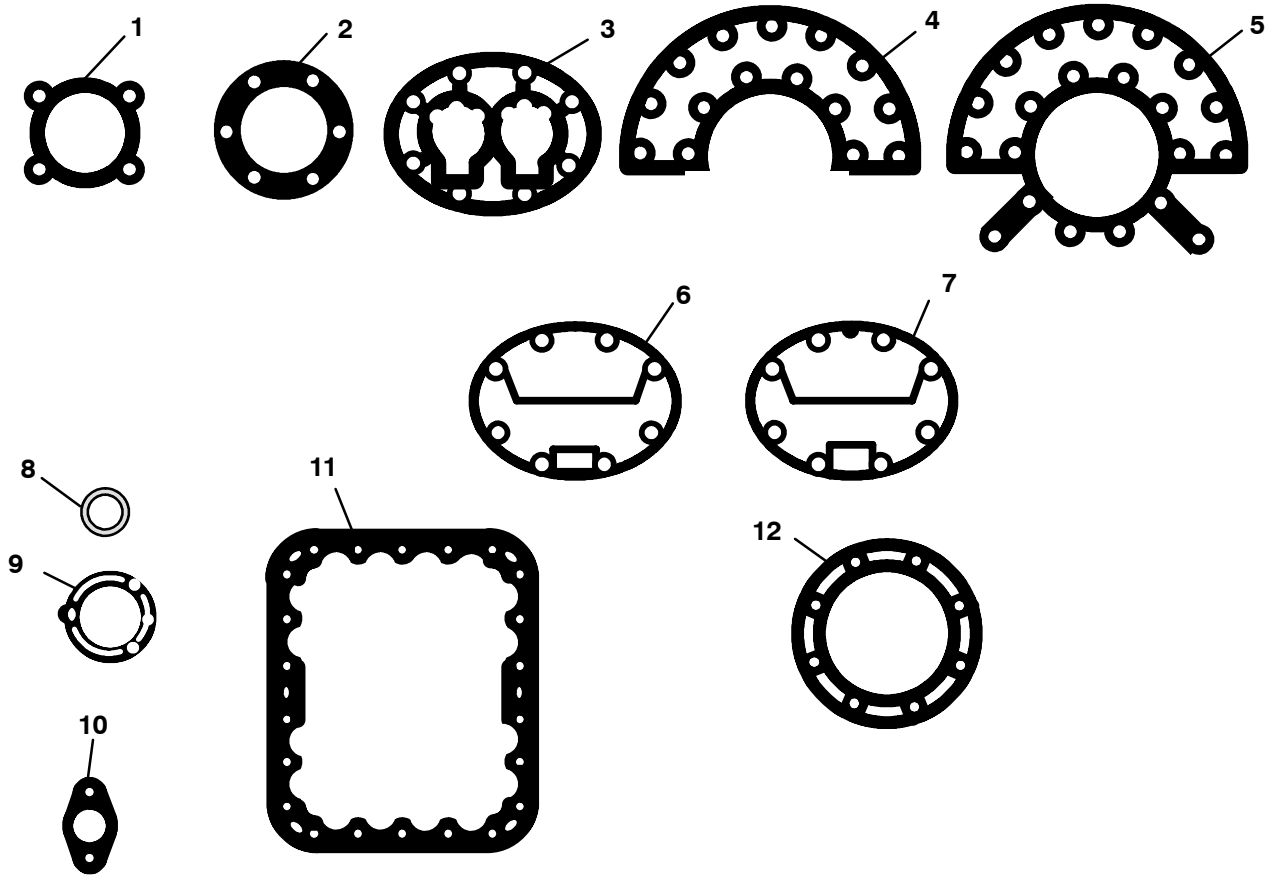
Item	Part Number	Description	Qty
1	17-44106-00	Valve Plate, Flat, Side Bank With Hot Gas Bypass Unloader - Includes:	1
	17-44107-00	Valve Plate, Flat, Center & Side With Suction Cutoff Unloader - Includes:	1
	17-44099-00	Valve Plate, Flat, Side Bank With No Unloader - Includes:	1
2	NSS	Valve Plate	1
3	17-40057-00	Dowel, Pin Suction Valve	4
4	17-40083-00	Spring, Suction Valve Position	2
5	17-44111-00	Valve, Suction (0.018 Inch Thick) - O5G and O5K	2
6	17-44007-06	Gasket, Valve Plate, O5G	1
	17-55002-00	Gasket, Valve Plate, O5K	1
7	17-40086-00	Valve, Discharge	2
8	17-44160-00	Stop, Discharge Valve	2
9	17-10715-00	Lockwasher, 1/4	4
10	17-44113-00	Capscrew, HexHead, 1/4-28 x 3/8 Inch Long	4
11	17-44123-00	Gasket, Center Cylinder Head	1
12	17-55012-00	Unloader Check Valve (Hot Gas Bypass Unloader) - Includes:	1
13	NSS	Lockwasher, #6	2
14	NSS	Screw, Round Phillips Head, #6-32 x 1/2 Inch Long	2
15	NSS	Body Check Valve	1
16	17-40104-08	Piston, Check Valve	1
17	17-40104-09	Spring, Check Valve	1
18	17-44126-00	Gasket, Side Cylinder Head (Hot Gas Bypass Unloader)	1
19	17-44124-00	Gasket, Side Cylinder Head (No Unloader)	1
20	17-44125-00	Gasket, Side Cylinder Head (Suction Cutoff Unloader)	1

10 GASKET SET - FIBER UNIVERSAL



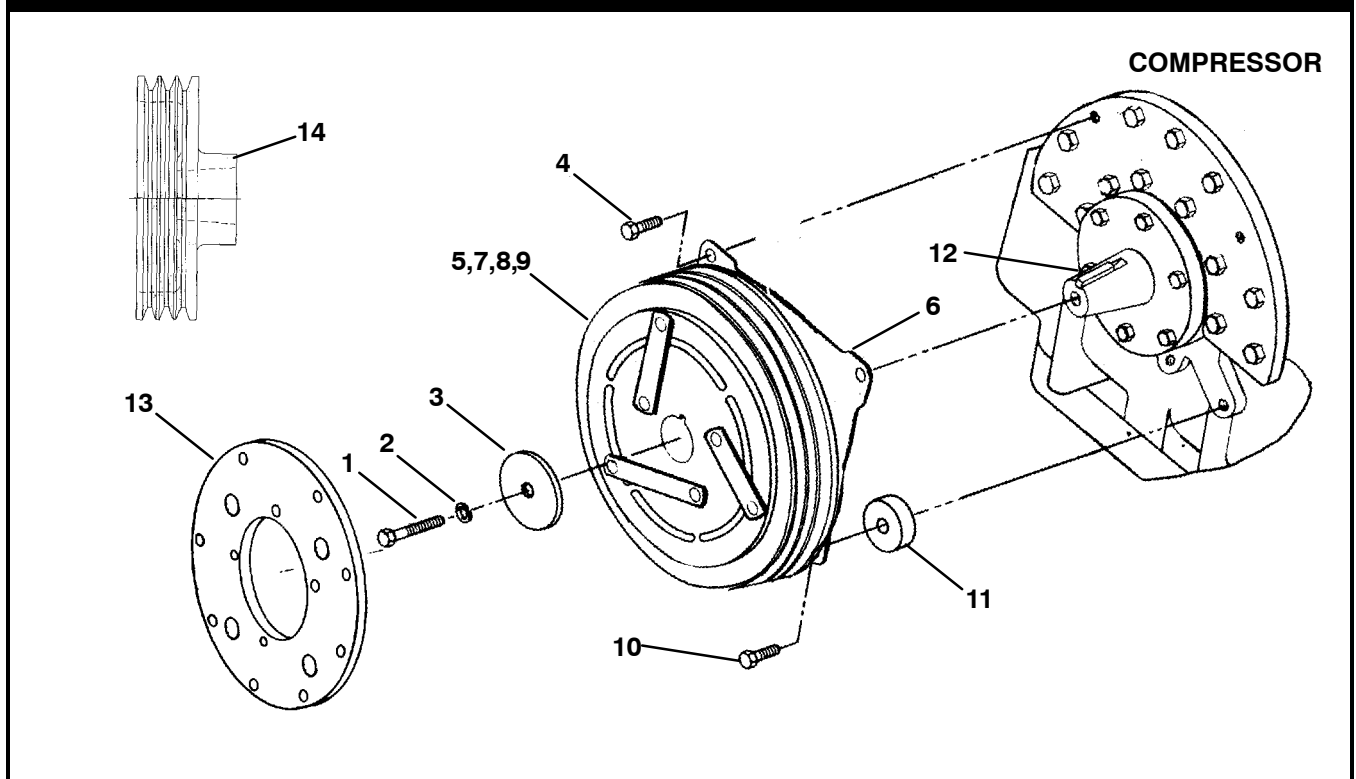
Item	Part Number	Description	Qty
-	17-55020-20	Gasket Set, Universal - Includes:	1
1	17-40005-05	Gasket, Suction Service Valve - 4 Bolt	1
2	17-44004-06	Gasket, Shaft Seal, O5G with Standard Cover Plate - Steel	1
3	17-44007-06	Gasket, Valve Plate, O5G	3
4	17-44119-00	Gasket, End Flange, O5G - Metal - Includes:	1
5	17-44124-00	Gasket, Cylinder Head - Side Bank (No Unloader)	2
6	17-55002-00	Gasket, Valve Plate, O5D (Not Used For This Compressor)	3
7	17-44123-00	Gasket, Cylinder Head - Center	1
8	17-44126-00	Gasket, Cylinder Head - Side Bank (Hot Gas Bypass Unloader)	2
9	17-44125-00	Gasket, Cylinder Head - Side Bank (Suction Cutoff Unloader)	2
10	17-40316-00	Gasket, Oil Supply Tube, O5D (Not Used For This Compressor)	1
11	17-44021-00	Gasket, Sight Glass - Metal	2
12	17-40104-07	Gasket, Unloader Body	2
13	17-40075-05	Gasket, Oil Pump Cover	1
14	17-10811-05	Gasket, Service Valve (2 Bolt) - 1-3/4 Inch Center	2
15	17-40033-05	Gasket, Bottom Plate	1
16	17-44022-00	Gasket, Pump End Bearing Head	1
17	17-40319-05	Gasket, Shaft Seal, O5D (Not Used For This Compressor)	1
18	17-40029-05	Gasket, Motor End Cover	1
19	17-44118-00	Gasket, End Flange - Metal	1

11 GASKET SET - METAL



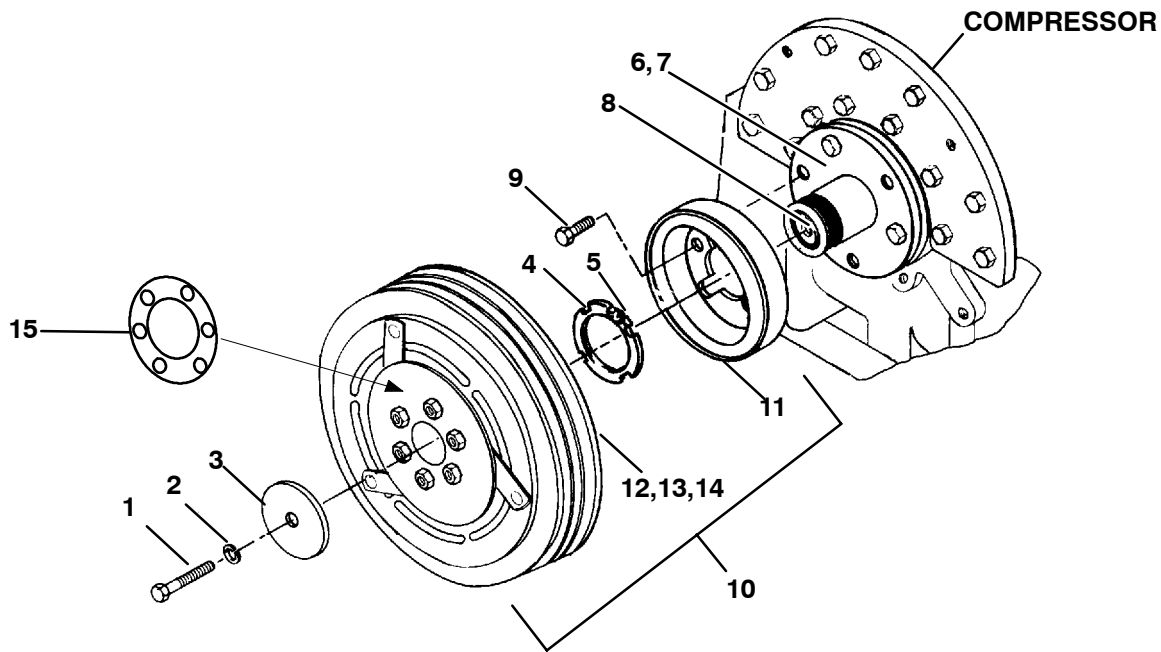
Item	Part Number	Description	Qty
-	17-55026-00	Gasket Set, Metal - Includes:	1
1	17-44141-00	Gasket, Suction Service Valve - 4 Bolt	1
2	17-44004-06	Gasket, Shaft Seal	1
3	17-44007-06	Gasket, Valve Plate	3
4	17-44118-00	Gasket, End Flange	1
5	17-44119-00	Gasket, End Flange	1
6	17-44123-00	Gasket, Cylinder Head - Center	1
7	17-44126-00	Gasket, Cylinder Head - Side Bank (hot Gas Bypass Unloader)	2
8	17-44021-00	Gasket, Sight Glass	2
9	17-40104-07	Gasket, Unloader Body	2
10	17-44138-00	Gasket, Service Valve - 2 Bolt	2
11	17-44129-00	Gasket, Bottom Plate	1
12	17-44022-00	Gasket, Pump End Bearing Head	1

12 CLUTCH ASSEMBLY - SHAFT MOUNTED



Item	Part Number	Description	Qty
1	34-00613-07	Capscrew, Hex Head, 3/8 UNF x 7/8 Inch Long - SAE Grade 8	1
2	--AU--11AR-241	Washer, Lock, Spring, 3/8 Inch	1
3	34-00616-00	Washer, 13/32 ID x 1-1/2 OD x 3/16 Inch Thick	1
4	17-40037-05	Capscrew, Hex Head, 3/8-16 x 1 Inch Long	2
5	50-01108-00	Clutch, 24 VDC, 2-C Grooves, 9 Inch Diameter	1
	50-01110-00	Clutch, 24 VDC, 3-3V Grooves, 8.48 Inch Diameter	1
	50-01110-01	Clutch, 12 VDC, 3-3V Grooves, 8.48 Inch Diameter	1
	50-01114-00	Clutch, 12 VDC, 2-B Grooves, 8.64 Inch Diameter	1
6	50-50011-00	Coil, 24 VDC	1
	50-50014-00	Coil, 12 VDC	1
7	50-50015-00	Ring, Retaining - External	1
8	50-50016-00	Ring, Retaining - Internal	1
9	50-50017-00	Bearing	1
10	17-10308-00	Capscrew, Hex Head, 3/8-16 x 1-1/4 Inches Long - SAE Grade 8	2
11	68-G---2--8522-1	Spacer, 1-3/8 OD x 1/2 Inch Thick - CRES	2
12	17-40324-00	Key, Crankshaft, 1/4 x 1/4 x 1-1/2 Inches Long	1
13	50-01115-00	Plate, Adapter (Used with 50-01114 Clutch)	1
14	68-G---2--1823	Sheave, Power Takeoff, 3-3V Grooves, 6 Inch Diameter, (On Allison Transmission)	1

13 CLUTCH ASSEMBLY - HOUSING MOUNTED (WARNER - GRAY IN COLOR)



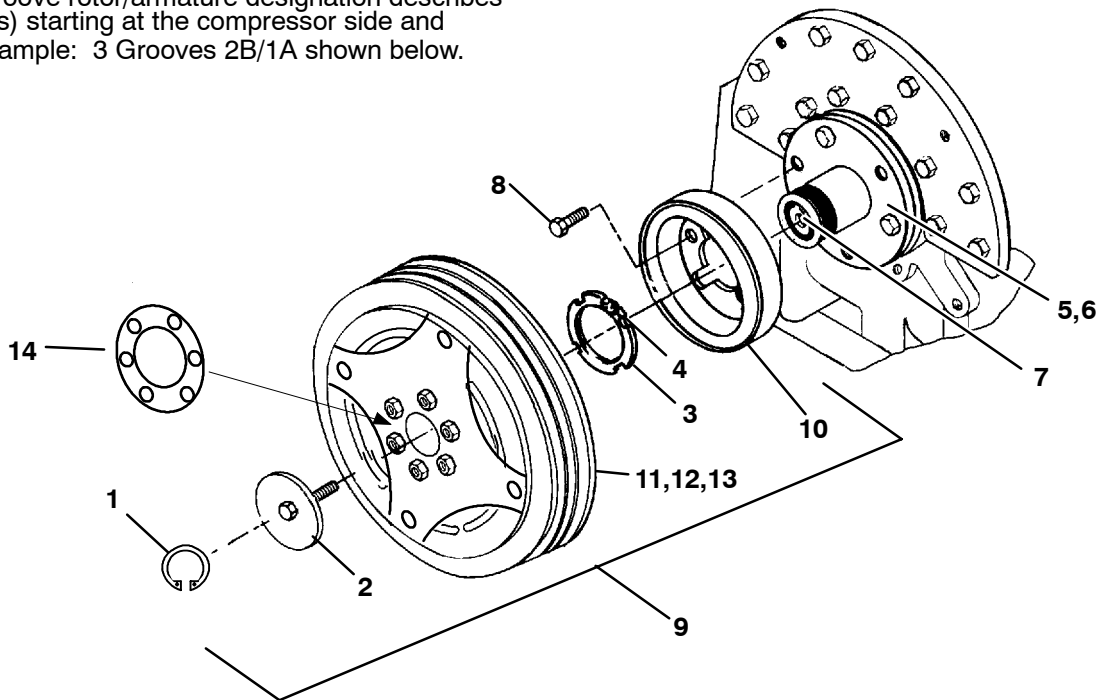
Item	Part Number	Description	Qty
NS	76-50013-00	Kit, Conversion Shaft to Housing Mounted Clutch	A/R
1	34-00613-07	Capscrew, Hex Head, 3/8-24 x 7/8 Inch Long - SAE Grade 8	1
2	--AU--11AR-241	Washer, Lock, Spring, 3/8 Inch	1
3	34-00616-00	Washer, 13/32 ID x 1-1/2 OD x 3/16 Inch Thick	1
4	34-01161-00	Nut, Hub, With Grease Fitting Port (Fitting Not Included)	1
	34-06083-00	Nut, Hub Without Grease Fitting Port	1
5	40-01132-00	Fitting, Grease, 1/4-18	1
6	17-44041-01	Hub, Clutch Mounting - Includes:	1
7	17-44042-00	Ring, Felt and Retainer	1
8	68-G---2--9072	Key, Crankshaft, Special	1
9	17-10308-00	Capscrew, Hex Head, 3/8-16 x 1-1/4 Inches Long - SAE Grade 8	1
10	50-01122-01	Clutch, Assembly, 24 VDC, 2-C Grooves, 9 Inch Diameter - Includes:	1
11	50-01122-50	Coil, 24 VDC	1
12	50-01122-85	Rotor/Armature, 2-C Grooves, 9 Inch Diameter - Includes:	1
13	34-01186-00	Ring, Snap	1
14	04-00130-00	Bearing, Rotor	1
10	50-01122-04	Clutch, Assembly, 12 VDC, 2-C Grooves, 9 Inch Diameter - Includes:	1
11	50-01122-41	Coil, 12 VDC	1
12	50-01122-85	Rotor/Armature, 2-C Grooves, 9 Inch Diameter - Includes:	1
13	34-01186-00	Ring, Snap	1
14	04-00130-00	Bearing, Rotor	1
10	50-01122-02	Clutch, Assembly, 24 VDC, 3-3V Grooves, 8.48 Inch Diameter - Includes:	1
11	50-01122-50	Coil, 24 VDC	1
12	50-01122-86	Rotor/Armature, 3-3V Grooves, 8.48 Inch Diameter - Includes:	1
13	34-01186-00	Ring, Snap	1
14	04-00130-00	Bearing, Rotor	1

13 CLUTCH ASSEMBLY - HOUSING MOUNTED (WARNER - GRAY IN COLOR) - Continued

Item	Part Number	Description	Qty
10	50-01122-07	Clutch, Assembly, 24 VDC, 2-B Grooves, 9 Inch Diameter - Includes:	1
11	50-01122-50	Coil, 24 VDC	1
12	50-01122-90	Rotor/Armature, 2-B Grooves, 9 Inch Diameter - Includes:	1
13	34-01186-00	Ring, Snap	1
14	04-00130-00	Bearing, Rotor	1
10	50-01122-12	Clutch, Assembly, 24 VDC, 2-5V Grooves, 8.7 Inch Diameter - Includes:	1
11	50-01122-50	Coil, 24 VDC	1
12	50-01122-91	Rotor/Armature, 2-5V Grooves, 8.7 Inch Diameter - Includes:	1
13	34-01186-00	Ring, Snap	1
14	04-00130-00	Bearing, Rotor	1
10	50-01122-14	Clutch, Assembly, 24 VDC, 2-5V Grooves, 10.5 Inch Diameter - Includes:	1
11	50-01122-50	Coil, 24 VDC	1
12	50-01122-93	Rotor/Armature, 2-5V Grooves, 10.5 Inch Diameter - Includes:	1
13	34-01186-00	Ring, Snap	1
14	04-00130-00	Bearing, Rotor	1
15	50-01122-65	Shim, .010 Inch Thick	5
	50-01122-66	Shim, .020 Inch Thick	1

14 CLUTCH ASSEMBLY - HOUSING MOUNTED (LINNIG - GOLD IN COLOR)

Note: Multiple groove rotor/armature designation describes groove location(s) starting at the compressor side and working out. Example: 3 Grooves 2B/1A shown below.



Item	Part Number	Description	Qty
NS	76-50013-00	Kit, Conversion Shaft to Housing Mounted Clutch	A/R
1	34-50035-00	Ring, Snap	1
2	34-50034-00	Bolt, Retaining, Special	1
3	34-01161-00	Nut, Hub, With Grease Fitting Port (Fitting Not Included)	1
	34-06083-00	Nut, Hub Without Grease Fitting Port	1
4	40-01132-00	Fitting, Grease, 1/4-18	1
5	17-44041-01	Hub, Clutch Mounting - Includes:	1
6	17-44042-00	Ring, Felt and Retainer	1
7	68-G---2--9072	Key, Crankshaft, Special	1
8	17-10308-00	Capscrew, Hex Head, 3/8-16 x 1-1/4 Inches Long - SAE Grade 8	1
9	50-00226-09	Clutch Assembly, 24 VDC, 4 Grooves (2A/2B), 10.35 Inch Dia. - Includes:	1
10	50-00226-50	Coil, 24 VDC	1
11	50-00226-501	Rotor/Armature, 4 Grooves (2A/2B), 10.35 Inch Diameter - Includes:	1
12	50-50040-05	Ring, Snap	1
13	50-50040-04	Bearing	1
9	50-00226-09	Clutch Assembly, 24 VDC, 4 Grooves (A/B/2C), 10 Inch Dia. - Includes:	1
10	50-00226-50	Coil, 24 VDC	1
11	50-01130-13	Rotor/Armature, 4 Grooves (A/B/2C), 10 Inch Diameter - Includes:	1
12	50-50040-05	Ring, Snap	1
13	50-50040-04	Bearing	1
9	50-00226-18	Clutch Assembly, 12 VDC, 4 Grooves (2B/2A), 10.35 Inch Dia. - Includes:	1
10	50-00226-41	Coil, 12 VDC	1
11	50-50040-11	Rotor/Armature, 4 Grooves (2B/2A), 10.35 Inch Diameter - Includes:	1
12	50-50040-05	Ring, Snap	1
13	50-50040-04	Bearing	1

14 CLUTCH ASSEMBLY - HOUSING MOUNTED (LINNIG - GOLD IN COLOR) - continued			
Item	Part Number	Description	Qty
9	50-00226-19	Clutch Assembly, 24 VDC, 4 Grooves (2B/2A), 10.35 Inch Dia. - Includes:	1
10	50-00226-50	Coil, 24 VDC	1
11	50-50040-11	Rotor/Armature, 4 Grooves (2B/2A), 10.35 Inch Diameter - Includes:	1
12	50-50040-05	Ring, Snap	1
13	50-50040-04	Bearing	1
9	50-01130-03	Clutch Assembly, 24 VDC, 3-3V Grooves, 8.48 Inch Diameter - Includes:	1
10	50-00226-50	Coil, 24 VDC	1
11	50-50040-02	Rotor/Armature, 3-3V Grooves, 8.48 Inch Diameter - Includes:	1
12	50-50040-05	Ring, Snap	1
13	50-50040-04	Bearing	1
9	50-01130-20	Clutch Assembly, 12 VDC, 2-B Grooves, 10.35 Inch Diameter - Includes:	1
10	50-00226-41	Coil, 12 VDC	1
11	50-50040-03	Rotor/Armature, 2-B Grooves, 10.35 Inch Diameter - Includes:	1
12	50-50040-05	Ring, Snap	1
13	50-50040-04	Bearing	1
9	50-01130-21	Clutch Assembly, 24 VDC, 2-B Grooves, 10.35 Inch Diameter - Includes:	1
10	50-00226-50	Coil, 24 VDC	1
11	50-50040-03	Rotor/Armature, 2-B Grooves, 10.35 Inch Diameter - Includes:	1
12	50-50040-05	Ring, Snap	1
13	50-50040-04	Bearing	1
9	50-01130-22	Clutch Assembly, 12 VDC, 2-C Grooves, 10 Inch Diameter - Includes:	1
10	50-00226-41	Coil, 12 VDC	1
11	50-50040-12	Rotor/Armature, 2-C Grooves, 10 Inch Diameter - Includes:	1
12	50-50040-05	Ring, Snap	1
13	50-50040-04	Bearing	1
14	50-00226-65	Shim, .012 Inch Thick	5
	50-00226-66	Shim, .039 Inch Thick	1

15 UNLOADER KITS, BUS - PRESSURE TO ELECTRIC



15 UNLOADER KIT - PRESSURE TO ELECTRIC - R-134a ONLY - 24 VDC

Item	Part Number	Description	Qty
	74-50111-00	Kit, Convert Pressure Hot Gas Bypass to Electric Unloader (24 VDC), Includes:	2
1	17-40417-00	Unloader Valve	2
2	68PD-2-102-3	Solenoid Coil - 24 VDC	2
3	12-00334-02	Switch, Pressure (UPS2) - R-134a	1
4	12-00334-03	Switch, Pressure (UPS1) - R-134a	1
5	40-00249-01	Fitting, Tee, Male Branch, 1/4 FPT x 1/4 FPT x 1/4 MPT	1
6	40-00243-01	Fitting, Tee, Street, 1/4 MPT x 1/4 x 1/4 FPT	1
7	06DA403-844	Valve, Access (1/4 Flare, Schrader)	3
8	40-00528-02	Connector, 1/4 FPT x 7/16-20 Straight Thread With O-Ring - Includes:	1
9	42-00243-07	O-Ring	1
10	DD19CA061	Cap, 1/4 Flare, Schrader	1
11	22-50222-00	Wire Harness	1

15 UNLOADER KIT - PRESSURE TO ELECTRIC - R-22 ONLY - 24 VDC			
Item	Part Number	Description	Qty
	74-50111-01	Kit, Convert Pressure Hot Gas Bypass to Electric Unloader (24 VDC), Includes:	2
1	17-40417-00	Unloader Valve	2
2	68PD-2-102-3	Solenoid Coil - 24 VDC	2
3	12-00334-00	Switch, Pressure (UPS2) - R-22	1
4	12-00334-01	Switch, Pressure (UPS1) - R-22	1
5	40-00249-01	Fitting, Tee, Male Branch, 1/4 FPT x 1/4 FPT x 1/4 MPT	1
6	40-00243-01	Fitting, Tee, Street, 1/4 MPT x 1/4 x 1/4 FPT	1
7	06DA403-844	Valve, Access (1/4 Flare, Schrader)	3
8	40-00528-02	Connector, 1/4 FPT x 7/16-20 Straight Thread With O-Ring - Includes:	1
9	42-00243-07	O-Ring	1
10	DD19CA061	Cap, 1/4 Flare, Schrader	1
11	22-50222-00	Wire Harness	1
15 UNLOADER KIT - PRESSURE TO ELECTRIC - R-134a ONLY - 36 VDC			
	74-50111-02	Kit, Convert Pressure Hot Gas Bypass to Electric Unloader (36 VDC), Includes:	2
1	17-40417-00	Unloader Valve	2
2	14-50086-00	Solenoid Coil - 36 VDC	2
3	12-00334-02	Switch, Pressure (UPS2) - R-134a	1
4	12-00334-03	Switch, Pressure (UPS1) - R-134a	1
5	40-00249-01	Fitting, Tee, Male Branch, 1/4 FPT x 1/4 FPT x 1/4 MPT	1
6	40-00243-01	Fitting, Tee, Street, 1/4 MPT x 1/4 x 1/4 FPT	1
7	06DA403-844	Valve, Access (1/4 Flare, Schrader)	3
8	40-00528-02	Connector, 1/4 FPT x 7/16-20 Straight Thread With O-Ring - Includes:	1
9	42-00243-07	O-Ring	1
10	DD19CA061	Cap, 1/4 Flare, Schrader	1
11	22-50222-00	Wire Harness	1
15 UNLOADER KIT - PRESSURE TO ELECTRIC - R-22 ONLY - 36 VDC			
	74-50111-03	Kit, Convert Pressure Hot Gas Bypass to Electric Unloader (36 VDC), Includes:	2
1	17-40417-02	Unloader Valve	2
2	14-50086-00	Solenoid Coil - 36 VDC	2
3	12-00334-00	Switch, Pressure (UPS2) - R-22	1
4	12-00334-01	Switch, Pressure (UPS1) - R-22	1
5	40-00249-01	Fitting, Tee, Male Branch, 1/4 FPT x 1/4 FPT x 1/4 MPT	1
6	40-00243-01	Fitting, Tee, Street, 1/4 MPT x 1/4 x 1/4 FPT	1
7	06DA403-844	Valve, Access (1/4 Flare, Schrader)	3
8	40-00528-02	Connector, 1/4 FPT x 7/16-20 Straight Thread With O-Ring - Includes:	1
9	42-00243-07	O-Ring	1
10	DD19CA061	Cap, 1/4 Flare, Schrader	1
11	22-50222-00	Wire Harness	1

**NO TAG
UNLOADER KIT - PRESSURE TO ELECTRIC - R-134a ONLY**

Item	Part Number	Description	Qty
	74-50111-00	Kit, Convert Pressure Hot Gas Bypass to Electric Unloader (24 VDC), Includes:	2
1	17-40417-00	Unloader Valve	2
2	68PD-2-102-3	Solenoid Coil - 24 VDC	2
3	12-00334-02	Switch, Pressure (UPS2) - R-134a	1
4	12-00334-03	Switch, Pressure (UPS1) - R-134a	1
5	40-00249-01	Fitting, Tee, Male Branch, 1/4 FPT x 1/4 FPT x 1/4 MPT	1
6	40-00243-01	Fitting, Tee, Street, 1/4 MPT x 1/4 x 1/4 FPT	1
7	O6DA-403---844	Valve, Access (1/4 Flare, Schrader)	3
8	40-00528-02	Connector, 1/4 FPT x 7/16-20 Straight Thread With O-Ring - Includes:	1
9	42-00243-07	O-Ring	1
10	--DD--19CA-061Z	Cap, 1/4 Flare, Schrader	1
11	22-50222-00	Wire Harness	1

**NO TAG
UNLOADER KIT - PRESSURE TO ELECTRIC - R-22 ONLY**

Item	Part Number	Description	Qty
	74-50111-01	Kit, Convert Pressure Hot Gas Bypass to Electric Unloader (24 VDC), Includes:	2
1	17-40417-00	Unloader Valve	2
2	68PD-2-102-3	Solenoid Coil - 24 VDC	2
3	12-00334-00	Switch, Pressure (UPS2) - R-22	1
4	12-00334-01	Switch, Pressure (UPS1) - R-22	1
5	40-00249-01	Fitting, Tee, Male Branch, 1/4 FPT x 1/4 FPT x 1/4 MPT	1
6	40-00243-01	Fitting, Tee, Street, 1/4 MPT x 1/4 x 1/4 FPT	1
7	O6DA-403---844	Valve, Access (1/4 Flare, Schrader)	3
8	40-00528-02	Connector, 1/4 FPT x 7/16-20 Straight Thread With O-Ring - Includes:	1
9	42-00243-07	O-Ring	1
10	--DD--19CA-061	Cap, 1/4 Flare, Schrader	1
11	22-50222-00	Wire Harness	1

**NO TAG
UNLOADER KIT - PRESSURE TO ELECTRIC - R-22 ONLY - 36 VDC**

Item	Part Number	Description	Qty
	74-50111-03	Kit, Convert Pressure Hot Gas Bypass to Electric Unloader (36 VDC), Includes:	2
1	17-40417-02	Unloader Valve	2
2	14-50086-00	Solenoid Coil - 36 VDC	2
3	12-00334-00	Switch, Pressure (UPS2) - R-22	1
4	12-00334-01	Switch, Pressure (UPS1) - R-22	1
5	40-00249-01	Fitting, Tee, Male Branch, 1/4 FPT x 1/4 FPT x 1/4 MPT	1
6	40-00243-01	Fitting, Tee, Street, 1/4 MPT x 1/4 x 1/4 FPT	1
7	O6DA-403---844	Valve, Access (1/4 Flare, Schrader)	3
8	40-00528-02	Connector, 1/4 FPT x 7/16-20 Straight Thread With O-Ring - Includes:	1
9	42-00243-07	O-Ring	1
10	--DD--19CA-061	Cap, 1/4 Flare, Schrader	1
11	22-50222-00	Wire Harness	1

PART NUMBER INDEX

PART NO.	PAGE NO.	PART NO.	PAGE NO.	PART NO.	PAGE NO.
04-00130-00	14, 15	17-40016-01	9	17-44005-00	1
12-00334-00	19	17-40019-00	3	17-44007-06	11, 12
12-00334-01	19	17-40020-00	2	17-44008-00	4
12-00334-02	19	17-40021-00	2	17-44011-00	2
12-00334-03	19	17-40029-05	11	17-44012-00	9
14-00143-07	7	17-40033-05	2, 11	17-44013-00	9
14-00206-01	9	17-40037-05	13	17-44014-00	5
14-50086-00	19	17-40042-00	2	17-44015-00	1
16-00143-01	7	17-40053-00	4	17-44017-00	9
16-00149-00	7	17-40054-00	4	17-44017-01	9
17-01042-00	9	17-40055-00	4	17-44019-00	5
17-10218-00	1	17-40056-02	4	17-44021-00	11
17-10218-02	1	17-40057-00	4, 10	17-44022-00	3, 11, 12
17-10224-05	9	17-40075-05	11	17-44026-00	2
17-10308-00	3, 5, 13, 14, 16	17-40078-05	3	17-44033-01	3
17-10715-00	10	17-40083-00	10	17-44033-02	3
17-10721-00	8	17-40086-00	10	17-44035-00	2
17-10806-10	1, 9	17-40104-05	9	17-44036-00	4
17-10811-05	9, 11	17-40104-07	7, 8, 11, 12	17-44037-00	1, 2, 3
17-10812-00	1, 9	17-40104-08	10	17-44041-01	5, 14, 16
17-10829-00	7	17-40104-09	10	17-44042-00	5, 14, 16
17-13004-00	9	17-40104-20	7, 8	17-44043-02	5
17-13006-00	1	17-40108-00	7, 8, 9	17-44045-01	4
17-13020-00	1	17-40111-00	7	17-44045-03	4
17-13022-00	1, 9	17-40204-00	3	17-44062-00	13, 14
17-21041-00	9	17-40317-00	4	17-44084-00	9
17-21044-00	7	17-40319-05	11	17-44099-00	10
17-21045-00	7	17-40324-00	4, 13	17-44106-00	10
17-21046-00	7	17-40408-02	7	17-44107-00	10
17-21047-00	7	17-40409-00	7	17-44111-00	10
17-21055-00	7	17-40410-00	4	17-44113-00	10
17-21056-00	8	17-40412-00	4	17-44116-00	9
17-31062-00	1	17-40417-00	7, 19	17-44117-00	2
17-40002-01	1	17-40417-02	19	17-44118-00	5, 11, 12
17-40005-05	1, 11	17-40418-00	7	17-44119-00	11, 12
17-40007-00	1	17-44004-05	5	17-44121-00	12
17-40015-00	9	17-44004-06	5, 11, 12	17-44121-01	4
				17-44122-01	4

PART NUMBER INDEX

PART NO.	PAGE NO.	PART NO.	PAGE NO.	PART NO.	PAGE NO.
17-44123-00	10, 11, 12	34-50034-00	16	50-01122-65	15
17-44124-00	10, 11	34-50035-00	16	50-01122-66	15
17-44125-00	10, 11	40-00060-08	9	50-01122-85	14
17-44126-00	10, 11, 12	40-00243-01	19	50-01122-86	14
17-44127-00	5	40-00249-01	19	50-01122-90	15
17-44129-00	12	40-00520-00	1	50-01122-91	15
17-44131-01	5	40-00520-01	9	50-01122-93	15
17-44137-00	3	40-00520-02	1	50-01130-03	17
17-44138-00	9, 12	40-00520-03	9	50-01130-13	16
17-44139-00	3	40-00524-00	1	50-01130-20	17
17-44141-00	1, 12	40-00524-01	9	50-01130-21	17
17-44145-00	5	40-00528-02	19	50-01130-22	17
17-44150-00	5	42-00045-01	3	50-50040-02	17
17-44160-00	10	42-00243-07	1, 2, 3, 19	50-50040-03	17
17-55002-00	10, 11	42-50019-00	7	50-50040-04	16, 17
17-55008-00	4	50-00226-09	16	50-50040-05	16, 17
17-55009-01	3, 4	50-00226-18	16	50-50040-11	16, 17
17-55010-00	7	50-00226-19	17	50-50040-12	17
17-55012-00	10	50-00226-41	16, 17	68-G---2---1823	13
17-55013-00	8	50-00226-50	16, 17	68-G---2---8522-1	13
17-55014-00	8	50-00226-50	16	68-G---2---9072	14, 16
17-55018-01	7	50-00226-65	17	68G2-9072	4
17-55020-20	11	50-00226-66	17	68PD-2-102-3	19
17-55022-00	7	50-01108-00	13	74-50111-00	18
17-55023-00	4	50-01110-00	13	74-50111-01	19
17-55025-00	4	50-01110-01	13	74-50111-02	19
17-55026-00	12	50-01114-00	13	74-50111-03	19
17-55028-00	7	50-01115-00	13	76-50013-00	14, 16
22-02567-00	7	50-01116-00	13		
22-50030-00	7	50-01117-00	13	O	
22-50222-00	19	50-01122-01	14	O6DA-403---844	1, 9, 19
34-00300-07	4	50-01122-02	14		
34-00613-07	4	50-01122-04	14	Symbols	
34-00616-00	4, 13, 14	50-01122-07	15	--AA--06GS-228	3
34-01139-00	7	50-01122-12	15	--AF--55CQ-164	4
34-01161-00	5, 14, 16	50-01122-14	15	--AU--11AR-241	13, 14
34-01186-00	14, 15	50-01122-41	14	--CA--63AA-051	1, 2, 9
		50-01122-50	14, 15	--DD--19CA-061	1, 9, 19