

SECTION 00: GENERAL INFORMATION

CONTENTS

1. FOREWORD	00-2
2. UPDATES, SERVICE BULLETINS AND SERVICE INFORMATION DOCUMENT	00-2
3. SCHEMATICS	00-2
4. SAFETY NOTICE	00-2
5. DATA PLATES CERTIFICATIONS	00-3
5.1 Engine	00-3
5.2 Transmission	00-3
5.3 Drive Axle	00-3
5.4 Front Axle	00-3
5.5 Power Steering Pump	00-3
5.6 Coach Final Record	00-4
5.7 Safety Certification	00-4
5.8 Dot Certification Label	00-4
5.9 EPA Engine Label	00-4
5.10 Fuel Tank Label	00-4
5.11 Vehicle Identification Number (VIN)	00-4
6. FASTENER STRENGTH IDENTIFICATION	00-6
6.1 Prevailing Torque Fasteners	00-7
6.2 Recommendations For Reuse	00-7
6.3 Six Lobed Socket Head	00-7
7. MAINTENANCE MANUAL - TABLE OF CONTENTS	00-10

LIST OF ILLUSTRATIONS

FIG. 1: SERIAL AND MODEL NUMBERS	00-3
FIG. 2: LABEL	00-3
FIG. 3: TYPICAL SERIAL AND MODEL NUMBERS	00-3
FIG. 4: TYPICAL SERIAL AND MODEL NUMBERS	00-3
FIG. 5: POWER STEERING PUMP NAMEPLATE	00-3
FIG. 6: DOT CERTIFICATION LABEL	00-4
FIG. 7: ENGINE COMPARTMENT	00-4
FIG. 8: FUEL TANK ACCESS PANEL	00-4
FIG. 9: VEHICLE I.D.	00-5
FIG. 10: VEHICLE IDENTIFICATION NUMBER	00-5
FIG. 11: THREAD NOTATION	00-6
FIG. 12: BOLT STRENGTH MARKINGS	00-6
FIG. 13: PREVAILING TORQUE FASTENERS	00-7
FIG. 14: TORQUE CHART	00-7
FIG. 15: METRIC - ENGLISH CONVERSION TABLE	00-8
FIG. 16: CONVERSION CHART - CUSTOMARY AND METRIC	00-9

1. FOREWORD

This manual includes procedures for diagnosis, service, maintenance and repair for components of the coach model listed on the front cover page.

This manual should be kept in a handy place for ready reference by the technician. If properly used, it will meet the needs of the technician and vehicle owner.

Information provided in Section 1 through 24 pertains to standard equipment items, systems and components and the most commonly used optional equipment and special equipment offered on the coach models covered by this manual.

At the beginning of each section : a Table of Contents and a list of illustrations give the page number on which each subject begins and where each figure is located.

Coach operating information is provided in a separate Operator's Manual. Audio/Video system operator instructions are also included in a separate manual.

More specific information on engine and transmission operating, maintenance, and overhaul information is contained in the applicable engine or transmission service manual published by the engine or transmission manufacturer. Engine and transmission parts information is contained in the applicable engine or transmission parts catalog published by the engine or transmission manufacturer.

All information, illustrations and specifications contained in this manual are based on the latest product information available at the time of publication approval. The right is reserved to make product changes at any time without notice.

Note: *Typical illustrations may be used, therefore minor illustration difference may exist when compared to actual parts or other publications.*

2. UPDATES, SERVICE BULLETINS AND SERVICE INFORMATION DOCUMENTS

They are issued, when required, to supplement or supersede information in this manual. Update sheet and bulletins should be noted and filed at the end of the proper section for future use.

3. SCHEMATICS

Vehicle AIR SCHEMATICS are provided at the end of Section 12, "Brake". SUSPENSION AIR SCHEMATICS are provided at the end of Section 16, "Suspension". Moreover, ELECTRICAL SCHEMATICS are provided in the technical publication box. Refer to those schematics for detailed circuit information or during diagnosis.

4. SAFETY NOTICE

This maintenance manual has been prepared in order to assist skilled mechanics in the efficient repair and maintenance of PRÉVOST vehicles.

This manual covers only the procedures as of the manufacturing date.

Safety features may be impaired if other than genuine PRÉVOST parts are installed.

Torque wrench tightening specifications must be strictly observed. Locking devices must be installed or replaced by new ones, where specified. If the efficiency of a locking device is impaired, It must be replaced.

This manual emphasizes particular information outlined by the wording and symbols:

Warning: *Identifies an instruction which, if not followed, could cause personal injuries.*

Caution: *Outlined an instruction which, if not followed, could severely damage vehicle components.*

Note: *Indicates supplementary information needed to fully complete an instruction. Although, the mere reading of such information does not eliminate the hazard, your understanding of the information will promote its correct use.*

5. DATA PLATES CERTIFICATIONS

Delay and confusion can be avoided by placing the complete vehicle identification number of the coach and the serial numbers of the engine on parts orders and correspondence. Also, the transmission, axles, power steering pump chassis and other major components are identified by serial numbers.

5.1 Engine

The engine serial and model number are stamped on the cylinder block (as viewed from the flywheel end) on the left side just below the fire deck and above the cast-in Detroit Diesel logo (Fig. 1).

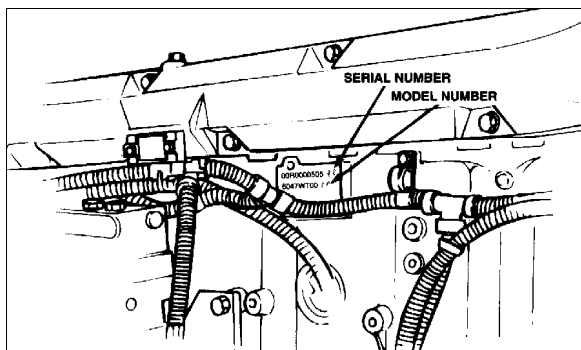


FIGURE 1: SERIAL AND MODEL NUMBERS OEH3B802

In addition, option plates made of laminated paper are located on the rocker cover (starter side). The engine serial and model number and a list of the optional engine equipment is written on the option plate. Refer to this information when ordering replacement parts (Fig. 2).

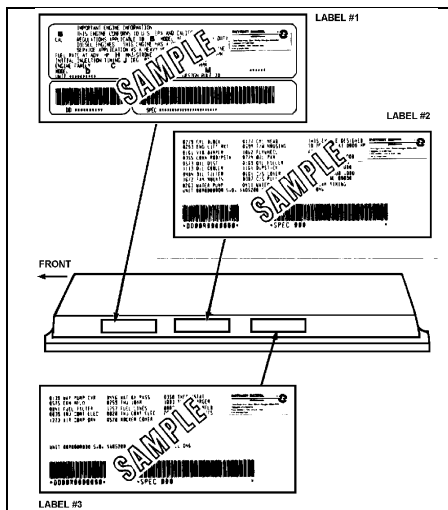


FIGURE 2: LABEL

5.2 Transmission

The transmission identification plate is located on the right-rear side of the transmission. The identification plate shows the transmission serial number, part number (assembly number), and model number. Use all three numbers when ordering parts.

5.3 Drive Axle

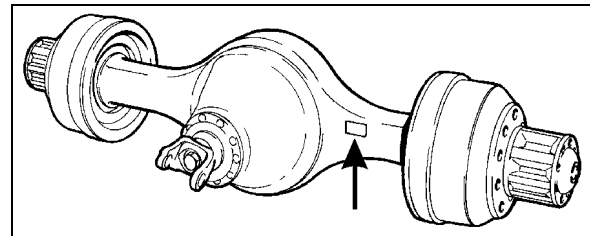


FIGURE 3: TYPICAL SERIAL AND MODEL NUMBERS OEH3B812

5.4 Front Axle

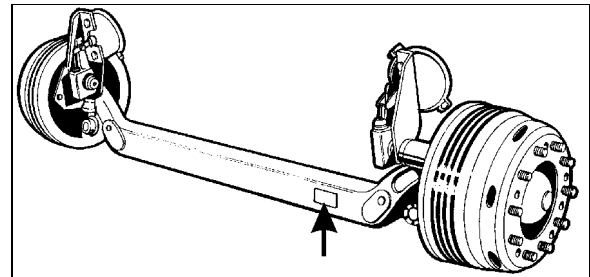


FIGURE 4: TYPICAL SERIAL AND MODEL NUMBERS OEH3B814

5.5 Power Steering Pump

Power steering pump serial number is located on a tag on the pump (Fig. 5). The pump is mounted on the engine beside the crankshaft pulley.

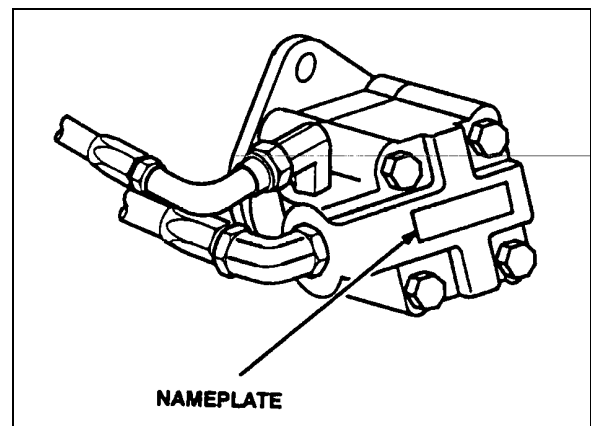


FIGURE 5: POWER STEERING PUMP NAMEPLATE 00001

5.6 Coach Final Record

The Coach Final Record is a record of all data pertaining to the assembly of the coach. This record is included in the technical publication package supplied with the coach. Retain this record in the company records office for reference and safe-keeping.

5.7 Safety Certification

Coach components meet specifications and standards as follows:

- Material and parts conform to ASTM and/or SAE standards in effect at the time of manufacture.
- All factory-installed interior materials meet FMVSS 302 for fire resistance.
- Certified according to Provincial, State and Federal Safety standards (Canadian and US) BMCSS, FMVSS, and CMVSS.

Other applicable certification labels are affixed to the component.

5.8 DOT Certification Label

This certifies that coaches manufactured by Prevost Car Inc., comply with all Federal Motor Vehicle Safety Standards at the time of manufacture. The DOT Certification label is affixed on the wall, at the L.H. side of the driver's seat under the L.H. side control panel (Fig. 6).



FIGURE 6: DOT CERTIFICATION LABEL OEH3B818

5.9 EPA Engine Label

The exhaust emission certification label affixed to the oil reserve tank certifies that the engine conforms to federal and any state exhaust emission regulations (Fig. 7). It gives the operating conditions under which certification was made.

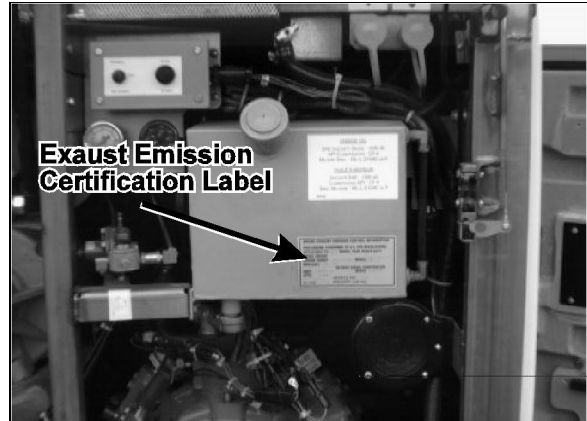


FIGURE 7: ENGINE COMPARTMENT OEH3B820

5.10 Fuel Tank Label

The fuel tank label is affixed to the R.H. side of the fuel tank (Fig. 8). To read this label, unscrew the fuel tank access panel nuts located at the left in the condenser compartment.



FIGURE 8: FUEL TANK ACCESS PANEL OEH3B822

5.11 Vehicle Identification Number (VIN)

The seventeen-digit vehicle identification number (VIN) is located on a plate (Fig. 9 & 10) located on the windshield frame pillar (driver's side). The VIN is visible from the outside of the coach. Make sure the correct vehicle identification number is given when ordering replacement parts. Using the VIN when ordering parts will facilitate processing.

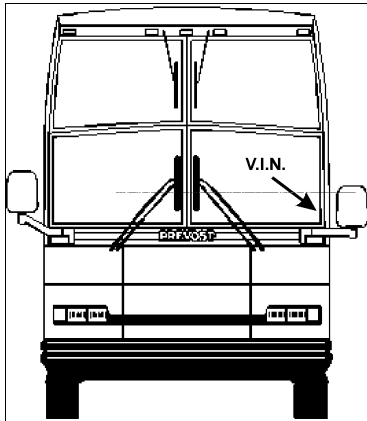


FIGURE 9: VEHICLE I.D. OEH3B816

Note: Record the VIN in the coach documentation and keep with company records. The VIN will normally be used for vehicle registration and for obtaining vehicle insurance coverage.

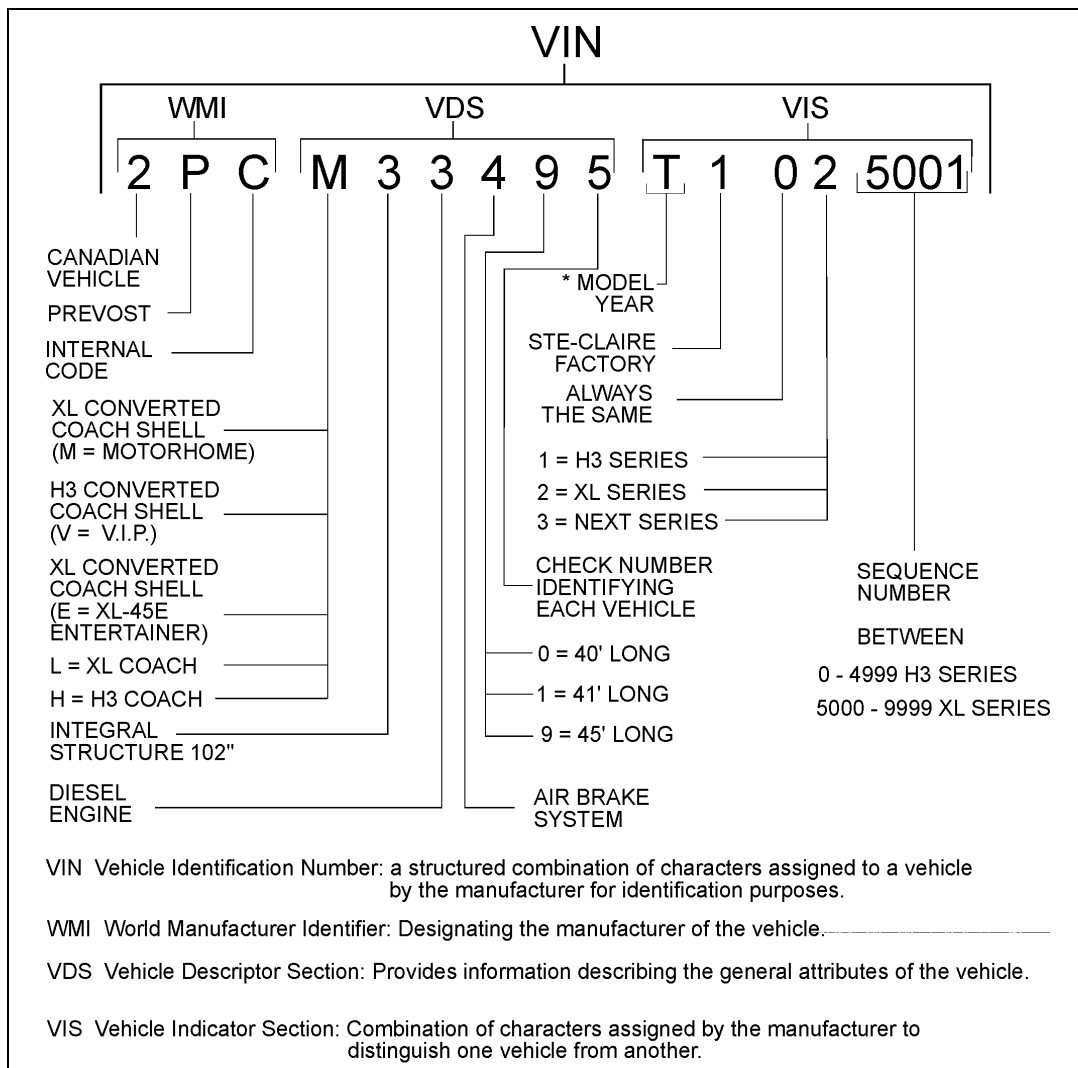


FIGURE 10: VEHICLE IDENTIFICATION NUMBER

VIN

* TABLE - CHARACTERS USED FOR DESIGNATING THE MODEL YEAR

YEAR	CODE	YEAR	CODE
1996	T	1998	W
1997	V	1999	X

6. FASTENER STRENGTH IDENTIFICATION

Most commonly used metric fastener strength property classes are 9.8 and 10.9 with the class identification embossed on the head of each bolt. Customary (inch) strength classes range from grade 2 to 8 with radial line identification embossed on each bolt head actual grade (i.e., a grade 7 bolt will have 5 embossed radial lines on the bolt head). Some metric nuts will be marked with single digit strength identification numbers on the nut face. Fig. 12 shows the different strength markings. When replacing metric fasteners, be careful to use fasteners of the same or greater strength than the original fasteners (the same number marking or higher). It is also important to select replacement fastener of the correct size. Correct replacement fasteners are available through the parts division. Some metric fasteners available in after-market parts sources were designed to metric standards of countries other the United States and may be of a lower strength, may not have the numbered head marking system, and may be of a different thread pitch.

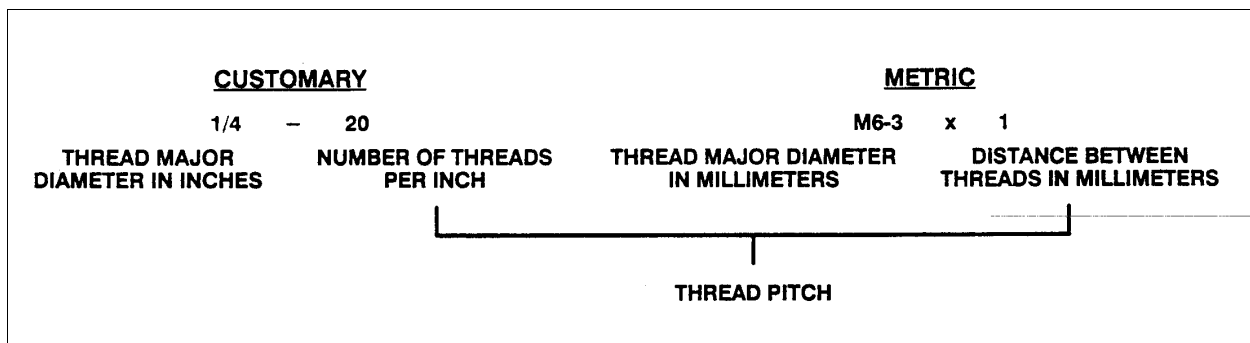


FIGURE 11: THREAD NOTATION

00002

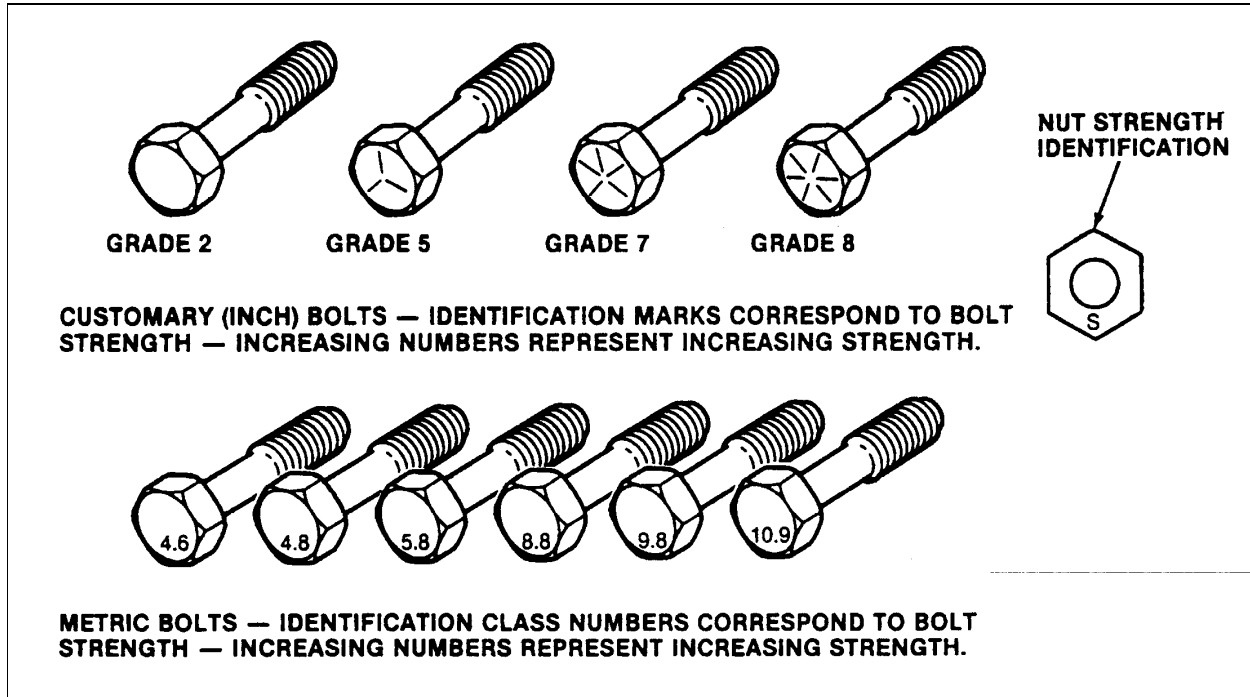


FIGURE 12: BOLT STRENGTH MARKINGS

00003

The metric fasteners used on the coach are designed to new standards and may not yet be manufactured by some nondomestic fastener suppliers. In general, except for special applications, the common sizes and pitches are :

- ◆ M 8 X 1.25
- ◆ M 10 X 1.5
- ◆ M 12 X 1.75
- ◆ M 14 X 2

6.1 Prevailing Torque Fasteners

A prevailing torque nut is designed with an interference fit between the nut and bolt threads. This is most often accomplished by distortion of the top of an all-metal nut or by using a nylon patch on the threads. A nylon insert may also be used as a method of interference between nut and bolt threads (Fig. 13).

A prevailing torque bolt is designed to develop an interference fit bolt and nut threads, or the threads of a tapped hole. This is accomplished by distorting some of the threads or by using a nylon patch or adhesive (Fig. 13).

6.2 Recommendations For Reuse

1. Clean, unruined prevailing torque fastener may be reused as follows :
 - a) Clean dirt and other foreign material from the fastener.
 - b) Inspect the fastener to ensure there is no crack, elongation, or other sign of fatigue or overtightening. If there is any doubt, replace with a new prevailing torque fastener of equal or greater strength.

- c) Assemble parts and hand start fastener.
 - d) Observe that , before the fastener seats, it develops torque per the chart in figure 14. If there is any doubt, replace with a new prevailing torque fastener of equal or greater strength.
 - e) Tighten the fastener to torque specified in the applicable section of this manual.
2. Fasteners which are rusty or damaged should be replaced with new parts of equal or greater strength.

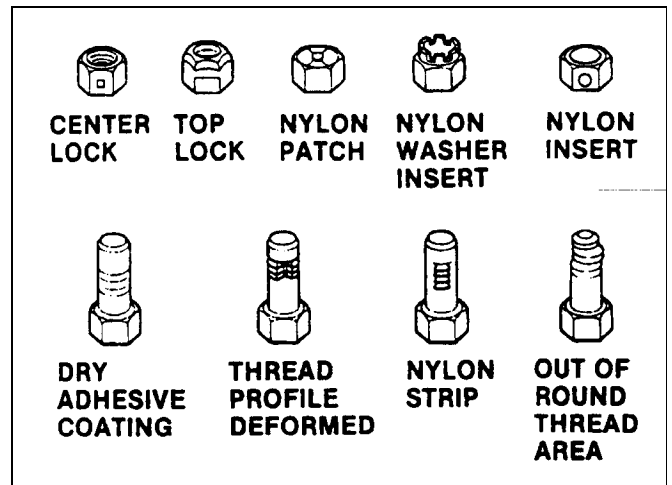


FIGURE 13: PREVAILING TORQUE FASTENERS 00004

6.3 Six Lobed Socket Head

Six lobed socket head (Torx) fastener are used in some applications on vehicles covered in this manual. The tools designed for these fasteners are available commercially. However, in some cases, if the correct tool is not available, a hex socket head wrench may be used.

FIGURE 14: TORQUE CHART								
METRIC SIZES								
		6 & 6.3	8	10	12	14	16	20
NUT AND ALL	N•m	0.4	0.8	1.4	2.2	3.0	4.2	7.0
METAL BOLTS	lbf•in	4.0	7.0	12	18	25	35	57
ADHESIVE OR NYLON	N•m	0.4	0.6	1.2	1.6	2.4	3.4	5.6
COATED BOLTS	lbf•in	4.0	5.0	10	14	20	28	46
SIZES								
		.250	.312	.375	.437	.500	.562	.625
NUT AND ALL	N•m	0.4	0.6	1.4	1.8	2.4	3.2	4.2
METAL BOLTS	lbf•in	4.0	5.0	12	15	20	27	35
ADHESIVE OR NYLON	N•m	0.4	0.6	1.0	1.4	1.8	2.6	3.4
COATED BOLTS	lbf•in	4.0	5.0	9.0	12	15	22	28

Multiply	by	to get equivalent number of:	Multiply	by	to get equivalent number of:
	LENGTH	millimeters (mm) meters (m) meters kilometers (km)		ACCELERATION	meter/sec ² (m/s ²) meter/sec ²
Inch Foot Yard Mile	25.4 0.305 0.914 1.609		Foot/sec ² Inch/sec ²	0.305 0.026	
	AREA	millimeters ² (mm ²) centimeters ² (cm ²) meters ² (m ²) meters ²		TORQUE	newton-meters (N·m) newton-meters
Inch ² Foot ² Yard ²	645.2 6.45 0.093 0.836		Pound-inch Pound-foot	0.113 1.35	
	VOLUME	mm ³ cm ³ liters (l) liters meters ³ (m ³)		POWER	kilowatts (kW)
Inch ³ Quart Gallon Yard ³	16 387.0 16.387 0.016 0.946 3.785 0.765		Horsepower	0.746	
	MASS	kilograms (kg) kilograms (kg) ton (t)		PRESSURE OR STRESS	kilopascals (kPa) kilopascals
Pound Ton Ton	0.453 907.18 0.907		Inches of water Pounds/sq. in.	0.249 6.895	
	FORCE	newtons (N) newtons newtons		ENERGY OR WORK	joules (J) joules joules (J = one W's)
Kilogram Ounce Pound	9.807 0.278 4.448		BTU Foot-pound kilowatt-hour	1 055.0 1.356 3 600 000.0 or 3.6 x 10 ⁶	
	TEMPERATURE	Degree Fahrenheit (°F) Degree Celsius (°C)		LIGHT	lumens/meter ² (lm/m ²)
Degree Fahrenheit (°F - 32) ÷ 1.8			Foot candle	1.076	
			Miles/hour		kilometers/hr (km/h)

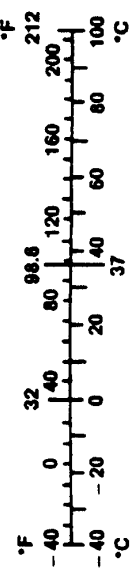


FIGURE 15: METRIC - ENGLISH CONVERSION TABLE

00005

DECIMAL AND METRIC EQUIVALENTS

FRACTIONS	DECIMAL IN.	METRIC MM	FRACTIONS	DECIMAL IN.	METRIC MM
1/64	.015625	.39688	33/64	.515625	13.09687
1/32	.03125	.79375	17/32	.53125	13.49375
3/64	.046875	1.19062	35/64	.546875	13.89062
1/16	.0625	1.58750	9/16	.5625	14.28750
5/64	.078125	1.98437	37/64	.578125	14.68437
3/32	.09375	2.38125	19/32	.59375	15.08125
7/64	.109375	2.77812	39/64	.609375	15.47812
1/8	.125	3.1750	5/8	.625	15.87500
9/64	.140625	3.57187	41/64	.640625	16.27187
5/32	.15625	3.96875	21/32	.65625	16.66875
11/64	.171875	4.36562	43/64	.671875	17.06562
3/16	.1875	4.76250	11/16	.6875	17.46250
13/64	.203125	5.15937	45/64	.703125	17.85937
7/32	.21875	5.55625	23/32	.71875	18.25625
15/64	.234375	5.95312	47/64	.734375	18.65312
1/4	.250	6.35000	3/4	.750	19.05000
17/64	.265625	6.74687	49/64	.765625	19.44687
9/32	.28125	7.14375	25/32	.78125	19.84375
19/64	.296875	7.54062	51/64	.796875	20.24062
5/16	.3125	7.93750	13/16	.8125	20.63750
21/64	.328125	8.33437	53/64	.828125	21.03437
11/32	.34375	8.73125	27/32	.84375	21.43125
23/64	.359375	9.12812	55/64	.859375	21.82812
3/8	.375	9.52500	7/8	.875	22.22500
25/64	.390625	9.92187	57/64	.890625	22.62187
13/32	.40625	10.31875	29/32	.90625	23.01875
27/64	.421875	10.71562	59/64	.921875	23.41562
7/16	.4375	11.11250	15/16	.9375	23.81250
29/64	.453125	11.50937	61/64	.953125	24.20937
15/32	.46875	11.90625	31/32	.96875	24.60625
31/64	.484375	12.30312	63/64	.984375	25.00312
1/2	.500	12.70000	1	1.00	25.40000

FIGURE 16: CONVERSION CHART - CUSTOMARY AND METRIC

00006

7. MAINTENANCE MANUAL - TABLE OF CONTENTS

The Table of Contents on this page indicates the sections covered in this manual. At the beginning of each section is a Table of Contents which gives the page number on which each subject begins.

ENGINE	01
CLUTCH	02
FUEL SYSTEM	03
EXHAUST SYSTEM	04
COOLING SYSTEM	05
ELECTRICAL SYSTEM	06
TRANSMISSION	07
PROPELLER SHAFT	09
FRONT AXLE	10
REAR AXLE	11
BRAKE AND AIR SYSTEM	12
WHEELS, HUBS AND TIRES	13
STEERING	14
SUSPENSION	16
BODY	18
HEATING AND A/C SYSTEMS	22
ACCESSORIES	23
LUBRICATION	24