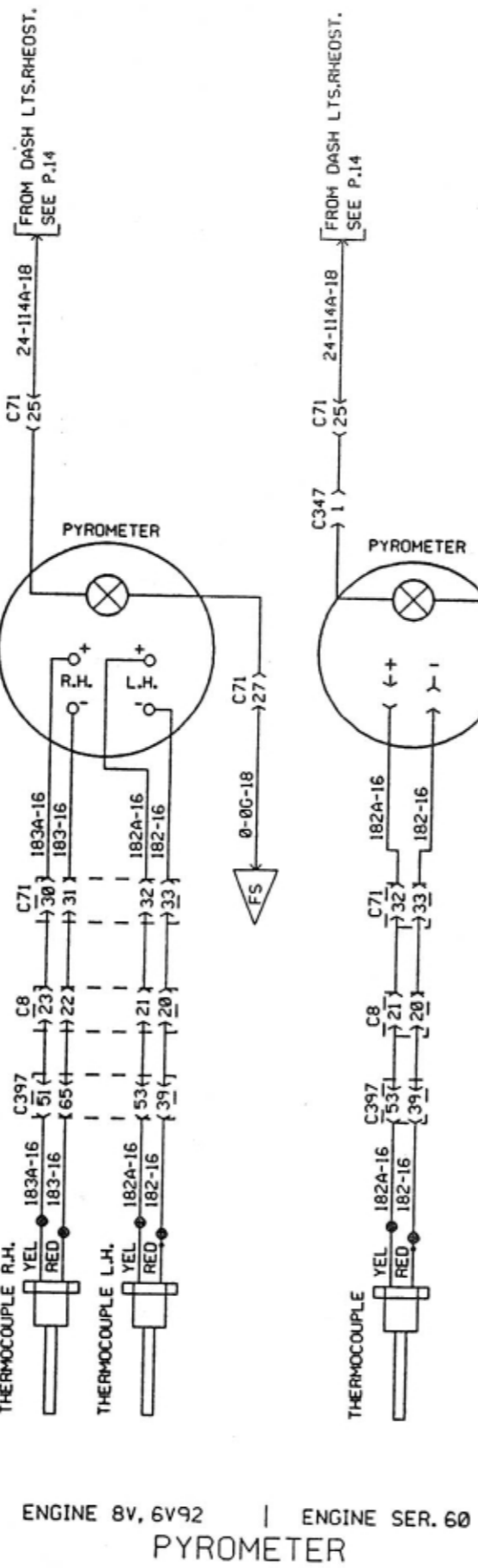
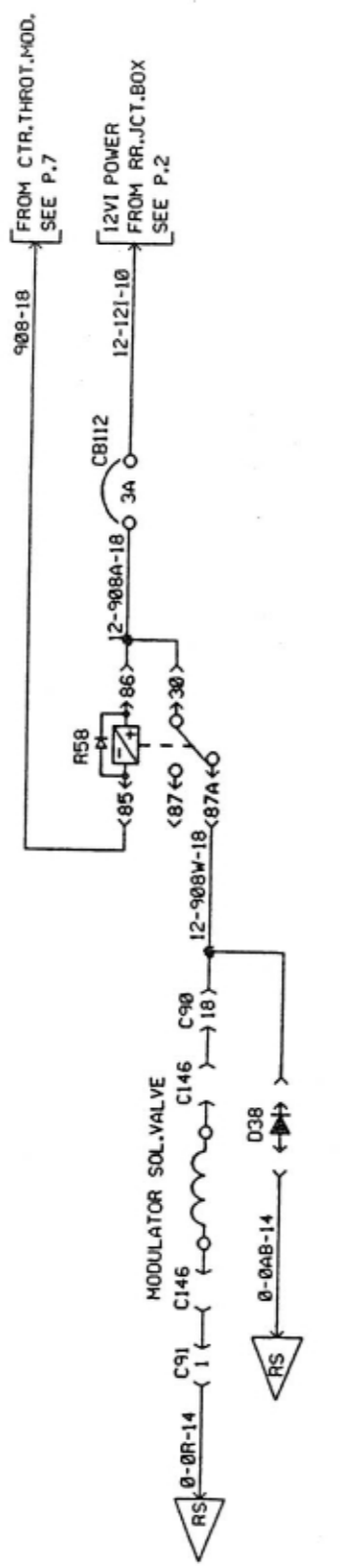
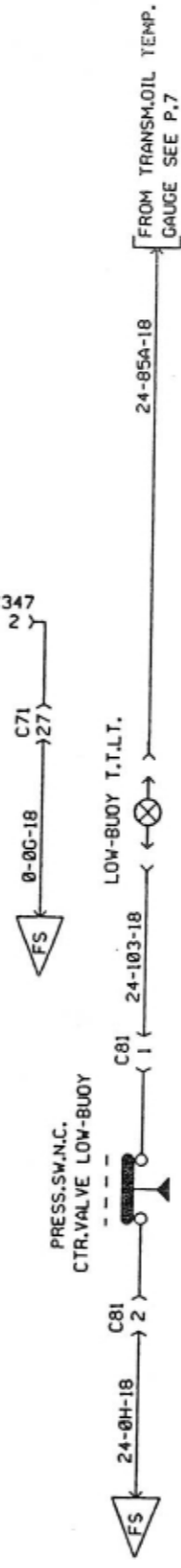


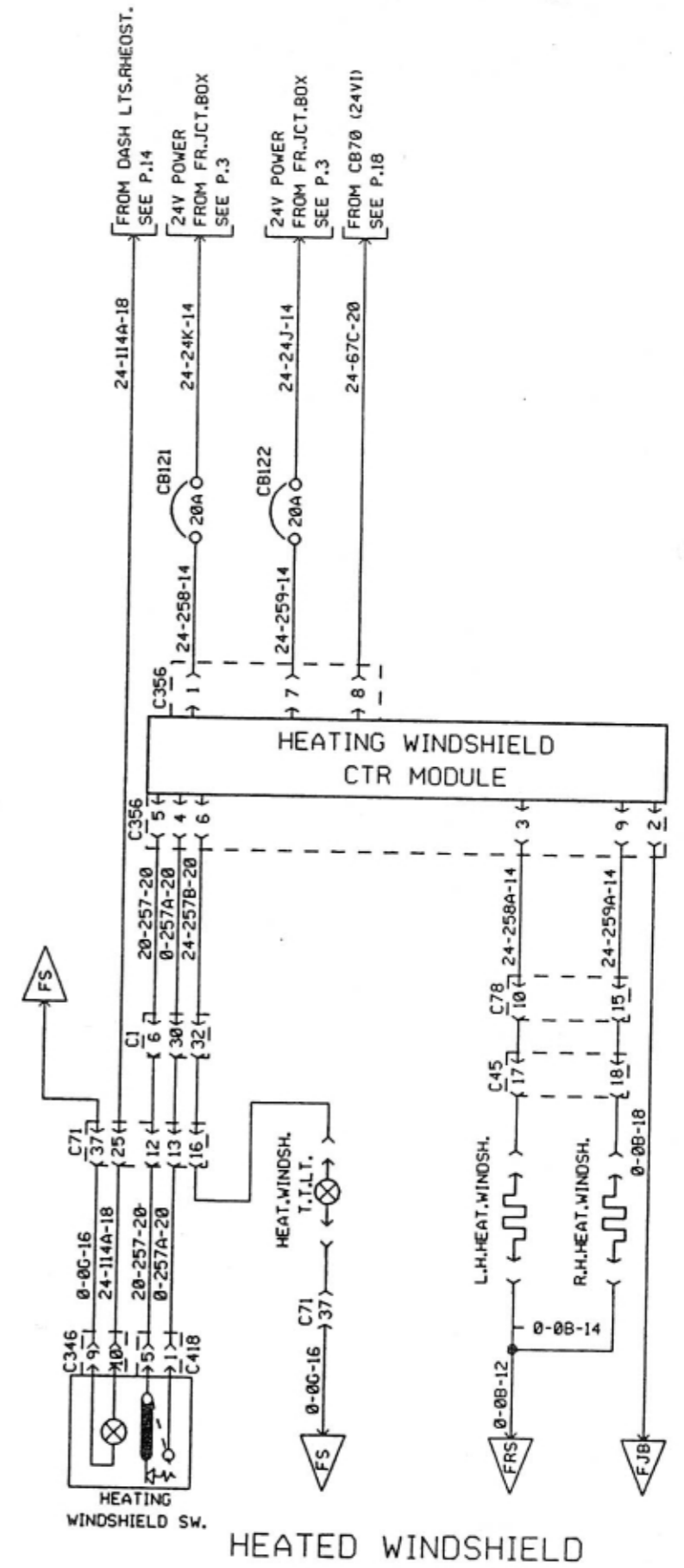
MANUAL & HYD. TRANSMISSION | HYDRAULIC TRANSMISSION



ENGINE 8V, 6V92 | ENGINE SER. 60
PYROMETER



LOW BUOY



HEATED WINDSHIELD