

# SECTION 06: ELECTRICAL

## CONTENTS

<b>1. GENERAL DESCRIPTION</b> .....	<b>4</b>
1.1 WIRING DIAGRAMS .....	4
1.1.1 <i>Using Wiring Diagrams</i> .....	4
1.1.2 <i>Testing Circuits</i> .....	5
1.2 WIRE SIZES AND COLORS.....	5
1.3 SPARE WIRES .....	5
1.4 CLEANING CONNECTORS.....	6
1.5 CIRCUIT BREAKERS.....	6
1.6 MULTIPLEX FUSES.....	6
1.7 RELAYS.....	7
1.8 PRECAUTIONS.....	7
<b>2. H3 SERIES VEHICLES ELECTRICAL COMPARTMENTS</b> .....	<b>9</b>
2.1 MAINTENANCE.....	9
2.2 MAIN POWER COMPARTMENT .....	9
2.2.1 <i>Battery Charger Or In-Station Lighting Connector</i> .....	11
2.3 FRONT ELECTRICAL AND SERVICE COMPARTMENT .....	11
2.4 ENGINE REAR START PANEL.....	13
2.5 A/C AND HEATING CONTROLS .....	13
2.6 PNEUMATIC ACCESSORY PANEL .....	14
<b>3. BATTERIES</b> .....	<b>14</b>
3.1 BATTERY DISCHARGE PROTECTION .....	16
3.2 MAIN BATTERY RELAYS .....	16
3.3 BATTERY REMOVAL AND INSTALLATION.....	16
3.4 BATTERY RATING.....	17
3.5 BATTERY TESTING.....	17
3.5.1 <i>Visual Inspection</i> .....	17
3.5.2 <i>Removing Surface Charge</i> .....	17
3.5.3 <i>Load Test</i> .....	18
3.5.4 <i>Testing Battery Cables</i> .....	18
3.6 BATTERY CHARGING.....	19
3.6.1 <i>Battery Charging Guide</i> .....	20
3.6.2 <i>Emergency Jump Starting With Auxiliary (Booster) Battery</i> .....	21
3.7 CLEANING AND INSPECTION.....	21
3.8 COMMON CAUSES OF BATTERY FAILURE.....	22
3.9 TROUBLESHOOTING .....	22
3.10 "BAT" BATTERY VOLTAGE INCORRECT TELLTALE LIGHT .....	22
3.10.1 <i>"Bat" Telltale Light Definitions</i> .....	22
<b>4. TROUBLESHOOTING AND TESTING THE MULTIPLEX VEHICLES</b> .....	<b>23</b>
4.1 ELECTRICAL SYSTEM DIAGNOSTIC .....	23
4.2 PROBING VOLTAGE ON THE MULTIPLEX CIRCUITS .....	23
4.3 CAN NETWORK.....	24
4.3.1 <i>Can Connection On The Telltale Panel And The Hvac Control Unit</i> .....	24
4.3.2 <i>Spare Can</i> .....	24
4.4 TEST MODE FOR SWITCHES AND SENSORS.....	24
4.4.1 <i>Information Available And Impact On The Functions In Switch/Sensor Test Mode</i> .....	24
4.5 TEST MODE FOR ELECTRIC MOTORS .....	25
4.5.1 <i>Test Sequence – Coaches only</i> .....	26
4.5.2 <i>Test Sequence – VIP With Central HVAC System</i> .....	26
4.5.3 <i>Test Sequence – VIP With Small HVAC System</i> .....	27
4.6 CAN NETWORK LAYOUT AND TROUBLESHOOTING.....	28
4.7 ROADSIDE TROUBLESHOOTING.....	33

## Section 06: ELECTRICAL

---

4.8	ESSENTIAL FUNCTIONS TO OPERATE THE VEHICLE.....	38
4.8.1	Available Functions .....	38
4.9	LOWER PRIORITY MODULES FOR BREAKDOWN SERVICE .....	38
4.10	MULTIPLEX MODULES .....	38
4.10.1	CECM.....	38
4.10.2	MASTER ID.....	38
4.10.3	IO-A.....	38
4.10.4	IO-B.....	39
4.11	MULTIPLEX MODULES REPLACEMENT .....	39
4.11.1	Replacing IO-A Or IO-B Modules.....	39
4.11.2	Replacing The CECM Module.....	39
<b>5.</b>	<b>ALTERNATORS.....</b>	<b>40</b>
5.1	TWIN BOSCH T1 ALTERNATORS INSTALLATION WITH DDC SERIES 60 ENGINE (VIP MOTORHOMES).....	40
5.1.1	Alternator Drive Belt .....	40
5.1.2	Adjustment.....	40
5.2	TWIN BOSCH T1 ALTERNATORS INSTALLATION WITH VOLVO D13 ENGINE .....	42
5.2.1	Alternator Drive Belt .....	44
5.2.2	Adjustment.....	44
5.3	TWIN BOSCH HD10 ALTERNATORS INSTALLATION WITH DDC SERIES 60 ENGINE (H3 SERIES COACHES).....	44
5.3.1	Alternator Drive Belt .....	44
5.3.2	Adjustment.....	44
<b>6.</b>	<b>ENGINE BLOCK HEATER .....</b>	<b>47</b>
6.1	MAINTENANCE.....	47
<b>7.</b>	<b>EXTERIOR LIGHTING .....</b>	<b>47</b>
7.1	HEADLIGHTS.....	47
7.1.1	Headlight Beam Toggle Switch .....	47
7.1.2	Maintenance.....	47
7.1.3	Replacing headlight bulbs .....	47
7.1.4	Replacing Front Turn Signal LED module.....	48
7.1.5	Optional Xenon Headlamp (Low Beam).....	48
7.1.6	Aiming headlights .....	49
7.2	STOP, TAIL, DIRECTIONAL, BACK-UP, AND HAZARD WARNING LIGHTS .....	49
7.2.1	Lamp Removal And Replacement .....	50
7.2.2	High-Mounted Stop Light Removal And Replacement .....	50
7.3	LICENCE PLATE LIGHT .....	50
7.4	CLEARANCE, IDENTIFICATION AND MARKER LIGHTS .....	51
7.4.1	Marker Light Removal And Replacement .....	51
7.4.2	Clearance And Identification Light Removal And Replacement .....	51
7.5	DOCKING AND CORNERING LIGHTS.....	51
7.5.1	Lamp Removal And Replacement .....	51
7.6	FOG LIGHTS .....	51
7.6.1	Bulb Removal And Replacement .....	51
<b>8.</b>	<b>INTERIOR LIGHTING EQUIPEMENT.....</b>	<b>52</b>
8.1	CONTROL PANEL LIGHTING .....	52
8.1.1	Switch Lighting .....	52
8.1.2	Telltale Light Replacement.....	52
8.1.3	Gauge Light Bulb Replacement .....	52
8.2	STEPWELL LIGHTS.....	52
8.2.1	Coach Entrance.....	52
8.2.2	VIP Entrance And Bus Entrance Door.....	53
8.2.3	Bulb Removal And Replacement .....	53

8.3	LAVATORY NIGHT-LIGHT.....	53
8.3.1	<i>Bulb Removal And Replacement</i> .....	53
8.4	DRIVER'S AREA LIGHTS .....	53
8.4.1	<i>Bulb Removal And Replacement</i> .....	53
8.5	PASSENGER SECTION LIGHTING .....	54
8.5.1	<i>Fluorescent Tube Replacement</i> .....	54
8.5.2	<i>Removal And Replacement Of In-Station Fluorescent Tubes</i> .....	54
8.5.3	<i>Removal And Replacement Of Reading Lamp Bulb</i> .....	54
8.6	ENGINE COMPARTMENT LIGHTING.....	54
8.7	LAVATORY LIGHT .....	55
<b>9.</b>	<b>LIGHT BULB DATA .....</b>	<b>56</b>
<b>10.</b>	<b>SPECIFICATIONS .....</b>	<b>58</b>

**ILLUSTRATIONS**

FIGURE 1:	WIRE NUMBER.....	5
FIGURE 2:	MAIN BREAKERS .....	6
FIGURE 3:	MULTIPLEX MODULE CONNECTORS .....	7
FIGURE 4:	ELECTRICAL COMPARTMENTS.....	9
FIGURE 5:	MAIN POWER COMPARTMENT (PARTIAL VIEW).....	11
FIGURE 6 :	MAIN POWER COMPARTMENT.....	11
FIGURE 7:	FRONT ELECT. & SERVICE COMPARTMENT.....	13
FIGURE 8:	ENGINE REAR START PANEL .....	13
FIGURE 9:	HVAC PANEL IN EVAPORATOR COMPARTMENT .....	13
FIGURE 10 :	PNEUMATIC ACCESSORY PANEL .....	14
FIGURE 11:	BATTERIES.....	14
FIGURE 12:	BATTERY CONNECTIONS .....	15
FIGURE 13:	TEST INDICATOR.....	17
FIGURE 14:	LOAD TEST.....	18
FIGURE 15:	ALLIGATOR CLAMPS AND BATTERY .....	20
FIGURE 16:	IO-B MODULE REMOVAL.....	39
FIGURE 17:	ALTERNATOR DRIVE BELT .....	41
FIGURE 18:	ALTERNATOR DRIVE BELT .....	41
FIGURE 19:	TWIN BOSCH ALTERNATORS INSTALLATION WITH DDC SERIES 60 ENGINE (VIP MOTORHOMES) .....	41
FIGURE 20:	ALTERNATORS AND ACCESSORIES MOUNTING TORQUES .....	42
FIGURE 21:	ALTERNATORS AND ACCESSORIES MOUNTING TORQUES (VIP) .....	42
FIGURE 22:	BOSCH ALTERNATORS MOUNTING TORQUES (VOLVO D13).....	43
FIGURE 23:	TWIN BOSCH ALTERNATORS INSTALLATION (VOLVO D13).....	43
FIGURE 24:	TWIN BOSCH HD10 ALTERNATOR .....	45
FIGURE 25:	TWIN BOSCH HD10 ALTERNATORS INSTALLATION (H3 SERIES COACHES).....	46
FIGURE 26:	TWIN BOSCH HD10 ALTERNATORS AND ACCESSORIES MOUNTING TORQUES (H3 SERIES COACHES) ...	46
FIGURE 27:	ENGINE BLOCK HEATER PLUG LOCATION .....	47
FIGURE 28:	HEADLIGHT ASSEMBLY .....	47
FIGURE 29:	ROCKING THE HEADLIGHT ASSEMBLY .....	48
FIGURE 30:	HEADLIGHT ASSEMBLY REAR VIEW .....	48
FIGURE 31:	HEADLIGHT ASSEMBLY .....	49
FIGURE 32:	VERTICAL AIMING.....	49
FIGURE 33:	VARIOUS LIGHTS LOCATION .....	50
FIGURE 34:	FOG LIGHT MOUNTING BOLT .....	51
FIGURE 35:	FOG LIGHT EXPLODED VIEW.....	52
FIGURE 36:	SWITCH .....	52
FIGURE 37:	COACH ENTRANCE STEPWELL .....	53
FIGURE 38:	VIP ENTRANCE STEPWELL .....	53
FIGURE 39:	PARCEL RACK .....	54
FIGURE 40:	ENGINE COMPARTMENT LIGHT .....	55

### 1. GENERAL DESCRIPTION

This vehicle uses a dual voltage system to obtain two different voltages (12 and 24-volt) for various electrical controls and accessories. The main power source incorporates four maintenance-free "Delco" model 1150 batteries connected in a parallel-series configuration. All batteries are kept uniformly charged by means of a 100 amp battery equalizer (standard), giving a maximum possible output supply of 100 amps on the 12-volt system. Both the 12 and 24-volt systems are controlled through individual main battery relays. One or two 24-volt self-rectified alternators are belt driven from the engine, and can be reached through the engine compartment door.

#### 1.1 WIRING DIAGRAMS

A master wiring diagram of the electric circuits, covering standard and optional accessories and systems, is located in the technical publications box. Usually, a separate wiring diagram page is provided for each major function or system. In some cases, more than one circuit may appear on one wiring diagram page; when this occurs, each circuit covered in this page is listed in the wiring diagram index. Moreover, a circuit may appear on several pages; in such case, the number(s) at the extremity of the diagram title will indicate the sheet reference number. Refer to the "*Wiring Diagram Index*" to ensure that the correct diagram is being used to trace the circuit in question. In addition to the major functions page reference, the wiring diagram index contains the following information pages.

- The Multiplexed Device Index,
- The Arrangement-Harness drawing showing the harnesses arrangement and harness number on the vehicle,
- Glossary,
- Circuit number listing,
- Circuit breaker code,
- Connector code,
- Diode number code,
- Resistor number code,
- Fuse code.

##### 1.1.1 Using Wiring Diagrams

Three methods are used to "*work*" with electric wiring diagrams.

**Situation:** You have identified the defective part (breaker, diode, relay, etc.), and you wish to locate its corresponding circuit.

**Problem:** Circuit breaker CB12 is released (open circuit) and you don't know which circuit is affected.

- a) Refer to wiring diagram index, and look for "*Circuit breaker code*", pages F.
- b) At item CB12, you will find the location, the Prevost number, the breaker function, the breaker ampere rating and the page on which to find the corresponding diagram.
- c) Refer to page 3.1.
- d) When you have located CB12, follow the wiring up to the end and find the diagram page number and function on which the circuit continues.

**Situation:** You have a problem with a specific system and you want to find the corresponding diagram.

**Problem:** The last three (3) speakers on the R.H. side of vehicle are inoperative and you must trace the electric circuit.

- a) Refer to wiring diagram index and look for "*Sound system*".
- b) You will find on page 35.1 & 35.2 the components as well as the electric wiring, thus providing you with a complete understanding of this circuit.

**Situation:** Using the message center display (MCD), you check on arrival if there are active errors in the vehicle electrical system. With the SYSTEM DIAGNOSTIC menu, highlight FAULT DIAGNOSTIC, highlight ELECTRICAL SYSTEM to request a diagnostic of the electrical system and then press the enter key. If applicable, the MCD shows the fault messages or fault codes recorded. When more than one fault is recorded, an arrow pointing down appears on the right of the display. Use the down to see all the fault messages.

**Problem:** MCD displays the fault "Elec. Horn SW61 SW62; shorted to ground" as being active.

- a) Refer to wiring diagram index, and look for "*Multiplexed Device Index*", pages B1-B8.

- b) In first column DEVICE ID, look for device SW61, SW62.
- c) At device SW61,SW62, find the fault message, the minimum condition to activate, other inputs involved in logic, the multiplex module related to switch 61 and switch 62, the connector and pin number on the module and the page on which to find the corresponding diagram.
- d) Once the problem corrected, the MCD still shows the fault as being active. You have to leave the FAULT DIAGNOSTIC menu, wait approximately 20 to 30 seconds and then return to FAULT DIAGNOSTIC to request a new diagnostic of the ELECTRICAL SYSTEM from the CECM. The MCD should display the fault as being inactive.

Yellow	Multiplex modules communication CAN-H (twisted with green)
Green	Multiplex modules communication CAN-L (twisted with yellow)
Orange	Connected to multiplex outputs
White	Connected to multiplex inputs
Red	24-volt system
Yellow	12-volt system
Black	grounded wire
Black	110 V ac system (live)
White	110 V ac system (neutral)
Green	110 V ac system (ground)
Orange	speakers (+)
Brown	speakers (-)
Grey	spare wire

**NOTE**

*Wires are identified at each 2-4 inch (5-10 cm) intervals by a printed number.*

1.1.2 Testing Circuits

A careful study of the wiring diagrams should be made to determine the source and flow of current through each circuit. When a circuit is thoroughly understood, a point-to-point check can be made with the aid of the applicable wiring diagrams. Any circuit can be tested for continuity or short circuits with a multimeter or a suitable voltmeter. Refer to paragraph 4.2 PROBING VOLTAGE ON THE MULTIPLEX CIRCUITS.

Each wire on a diagram is patterned to assist in tracing and testing circuits. The wire number identifies the voltage rating, the wire identification number and the basic wire gauge as illustrated in Figure 1.

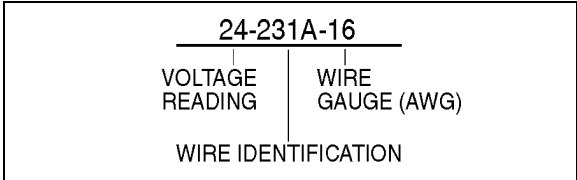


FIGURE 1: WIRE NUMBER 06048

All electrical connections must always be kept clean and adequately tight. Loose or corroded connections can result in discharged batteries, difficult starting, dim lights and improper functioning of other electric circuits. Inspect all wiring connections at regular intervals. Make sure knurled nuts on all amphenol-type plugs are securely tightened. Knurled nuts on the plastic amphenol-type connectors will click into a detent when properly tightened. Line connectors, who have the side locking tabs, must have the locks latched in place to ensure a proper electrical connection.

1.3 SPARE WIRES

When the vehicle leaves the factory, and even in the case of a fully-equipped vehicle, an important number of unconnected spare wires are routed between the junction boxes to serve as replacement wires if regular wires are damaged. Refer to page 8.1 "Spare wires" and page E "Circuit number listing" to determine the number and location of these wires.

1.2 WIRE SIZES AND COLORS

Each wire in the electrical system has a specific size as designated on the wiring diagram. When replacing a wire, the correct size must be used. Never replace a wire with one of a smaller size.

**⚠ CAUTION ⚠**

**Wire size is calibrated according to the breaker or fuse that protects it. When using a spare wire to replace a damaged wire, assure that the spare wire size is equal or larger than the wire being replaced. Using a wire too small for the breaker or fuse amperage might cause overheating of the wire.**

The vehicle electrical system is provided with different voltages. The insulation on each wire is distinctly colored in order to determine visually the wiring voltage and to assist in making connectors. The wires are color coded as follows:

## Section 06: ELECTRICAL

### NOTE

Spare wires are identified by the word "SPARE" followed by the wire identification number.

### 1.4 CLEANING CONNECTORS

When the pins and sockets of connectors become dirty, clean them with a good quality solvent containing HFC 134A refrigerant as its active ingredient. HFC 134A has two qualities that recommend it. First, it does not conduct electricity and therefore, will not cause shorting between connector pins and sockets. Second, it evaporates quickly, eliminating the possibility of condensation within the connectors.

Always shake out or gently blow out any excess HFC 134A before assembling a connector to its mating connector or hardware. HFC 134A trapped in the connector can affect the connector seal.

### WARNING

**HFC 134A is toxic. HFC 134A bases compounds should always be used in a well-ventilated area, never in a confined space. Use outdoor whenever possible.**

### 1.5 CIRCUIT BREAKERS

Most electric circuits are protected by manually switchable circuit breakers. The main circuit breakers, as well as those protecting the A/C system, are located in the main power compartment, on R.H. side of the vehicle (Fig. 2).

This type of circuit breaker allows to de-energizes the circuit without disconnecting any wire. Simply push the red button on breaker to open the circuit, repair defective circuit, and afterwards lift the black tab of breaker to its original position to close the circuit.

CIRCUIT BREAKERS (VIP)			
CB1	Front distibution	24 VI	90 amps
CB2	Front distibution	12 VD	90 amps
CB3	HVAC - evaporator	24 VI	90 amps
CB4	Rear distribution	12 VD	70 amps
CB5	Rear distribution	24 VI	150 amps
CB6	Rear Distribution	24 VD	70 amps
CB7	HVAC - condenser	24 VI	70 amps
CB8	Rear Junction Box	12 VI	40 amps
CB9	Slide-out	24VI	40 amps
CB10	Front distribution	12 VI	70 amps
CB11	Slide-out	24 VI	35 amps
CB12	HVAC - condenser	12 VI	40 amps

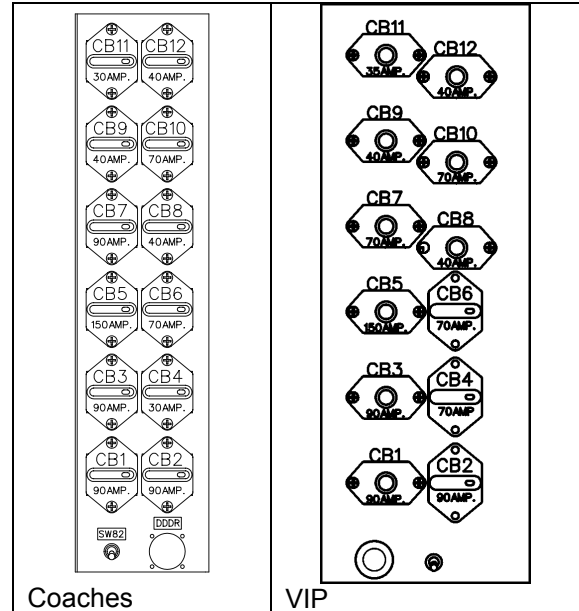


FIGURE 2: MAIN BREAKERS

06473, 06605

### CIRCUIT BREAKERS (coaches)

CB1	Front distribution	24 VI	90 amps
CB2	Distribution	12 VD	90 amps
CB3	HVAC - evaporator	24 VI	90 amps
CB4	Sound system	12 VD	30 amps
CB5	Rear distribution	24 VI	150 amps
CB6	Distribution	24 VD	70 amps
CB7	HVAC - condenser	24 VI	70 amps
CB8	Rear distribution	12 VI	40 amps
CB9	WCL or other options	24VD	40 amps
CB10	Front distribution	12 VI	70 amps
CB11	Sound system	24 VD	30 amps
CB12	HVAC - condenser	12 VI	40 amps

VD= volts direct. The electrical components connected to these circuit breakers are direct-connected to the battery.

VI= volts indirect. Electrical power is supplied via master relay R1 which engages when ignition key is in the ON or ACC position and battery master switch is set to ON.

### 1.6 MULTIPLEX FUSES

The multiplex outputs are protected in current by an internal "soft-fuse". Each output has programmed specific maximum amperage. When an output is shorted, the current gets above the limit and the soft-fuse intervenes to turn the output OFF. The output stays OFF until the "soft-fuse" is reset.

Turn the ignition key to the OFF position and turn to the ON position again. This resets all "soft-fuses".

There is also hardware fuses used to protect the incoming power to the multiplex modules. These fuses are located inside the VECF (Vehicle Electrical Center Front) and VECR (Vehicle Electrical Center Rear).

### 1.7 RELAYS

Relays are used to automatically energize or de-energize a circuit from a remote location. The relay draws a very low current to energize its coil. Once the coil is energized, it develops a magnetic field that pulls a switch arm closed or open, to either energize or de-energize a given component. As the control current required for the coil is very low, the relay allows a remote station to control a high energy circuit without running great lengths of costly high capacity cable, and also eliminates the need for high amperage switches and heavy connectors.

**NOTE**

Each relay is identified with "12 V" or "24 V" printed on its casing in order to identify the coil operating voltage.

**CAUTION**

The Multiplex vehicle uses a VF4 relay designed specially for Volvo that has different internal characteristics than the current VF4 relay. It is important to use only the new part marked Volvo as a replacement in Multiplex vehicles. Regular relays have an inadequate lifespan for Multiplex vehicles.

### 1.8 PRECAUTIONS

**WARNING**

Prior to working on a system inside vehicle, make sure to cut electrical power and air supply. A component could be supplied with electricity even if the ignition switch is set to the OFF position and/or a component could be pressurized even if air tanks are emptied. Always refer to the appropriate wiring and pneumatic diagrams prior to working on electrical and/or pneumatic systems.

**NOTE**

When the ignition switch is set to the OFF position, the electrical components are not energized except for the CECM (Chassis Electronic Control Module), engine MCM, transmission TCM, instrument cluster module, the battery equalizer, the preheater system, the wheelchair lift system and some Multiplex modules which are energized during 15 minutes after the ignition has been set to the OFF position. Prior to working on one of these electrical components, set the battery master switch in the main power compartment to the OFF position. If the vehicle will not be operated for a long period (more than 2 weeks), it is recommended, in order to prevent the batteries from discharging, to trip the main circuit breakers located in the main power compartment to stop the small current drawn by the radio preset station memory, the CECM memory and the instrument cluster clock. Note that the radio station presets will be erased, same thing for the diagnostic codes history and the instrument cluster clock will have to be reset.

**CAUTION**

Prior to arc welding on the vehicle, refer to "Multiplex Modules Disconnection Procedure Prior To Welding" in section 00 GENERAL of this manual to avoid serious damage to the vehicle components.

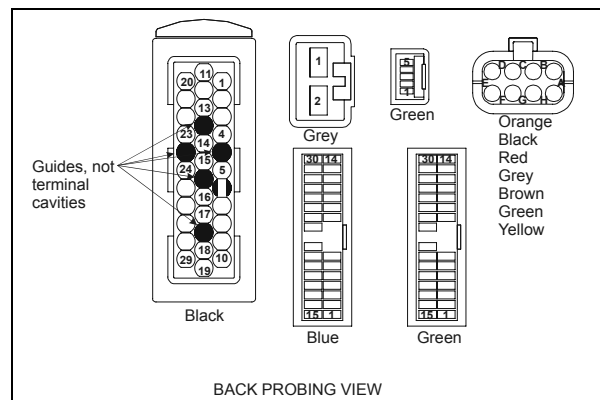
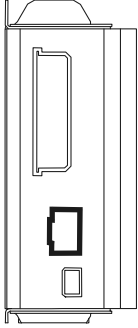
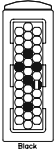
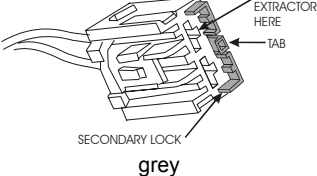
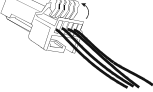
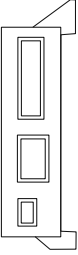
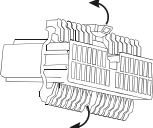
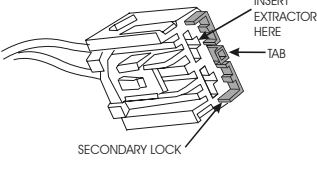
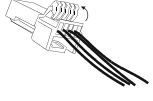
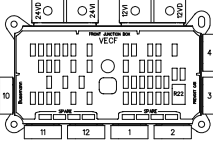
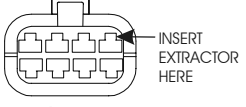


FIGURE 3: MULTIPLEX MODULE CONNECTORS PIN-OUT

**Section 06: ELECTRICAL**

Multiplex modules	Connector type	Terminal removal
 <p><b>IO-B</b></p>	 <p><b>AMP</b></p>	<p>EXTRACTOR/TOOL: Prevost #683594</p> <p>Insert the extractor on the front of the connector. Remove the terminal by disengaging the flexible lock tabs on the terminal. Gently remove the terminal from the connector by pulling on the wire.</p>
	 <p>grey <b>YAZAKI</b></p>	<p>EXTRACTOR/TOOL: Packard #12094430 or small flat blade screwdriver</p> <p>Using a small flat blade screwdriver, pull up the secondary lock tab and then pull out the secondary lock partially. Insert the extractor over the terminal cavity to lift the connector housing plastic primary lock. Gently remove the terminal from the connector by pulling on the wire.</p>
	 <p>green <b>JAE</b></p>	<p>EXTRACTOR/TOOL: Prevost #683766</p> <p>Using a small flat blade screwdriver, open the hinged secondary lock. Insert the extractor on the front of the connector, over the terminal cavity. Remove the terminal by disengaging the flexible lock tab on the terminal. Gently remove the terminal from the connector by pulling on the wire.</p>
 <p><b>IO-A</b></p>	 <p>green, blue (CECM) <b>JAE</b></p>	<p>EXTRACTOR/TOOL: Prevost #683766</p> <p>Using a small flat blade screwdriver, open both hinged secondary locks. Insert the extractor on the front of the connector, over the terminal cavity. Remove the terminal by disengaging the flexible lock tab on the terminal. Gently remove the terminal from the connector by pulling on the wire.</p>
	 <p>grey <b>YAZAKI</b></p>	<p>See above</p>
	 <p>green <b>JAE</b></p>	<p>See above</p>
 <p><b>VECF</b></p>	 <p>Orange Black Red Grey Brown Green Yellow <b>BUSSMAN</b></p>	<p>EXTRACTOR/TOOL: Prevost #682256 (Packard 12094429)</p> <p>Remove the terminal by disengaging the flexible lock tab on the terminal. Gently remove the terminal from the connector by pulling on the wire.</p>



## 2. H3 SERIES VEHICLES ELECTRICAL COMPARTMENTS

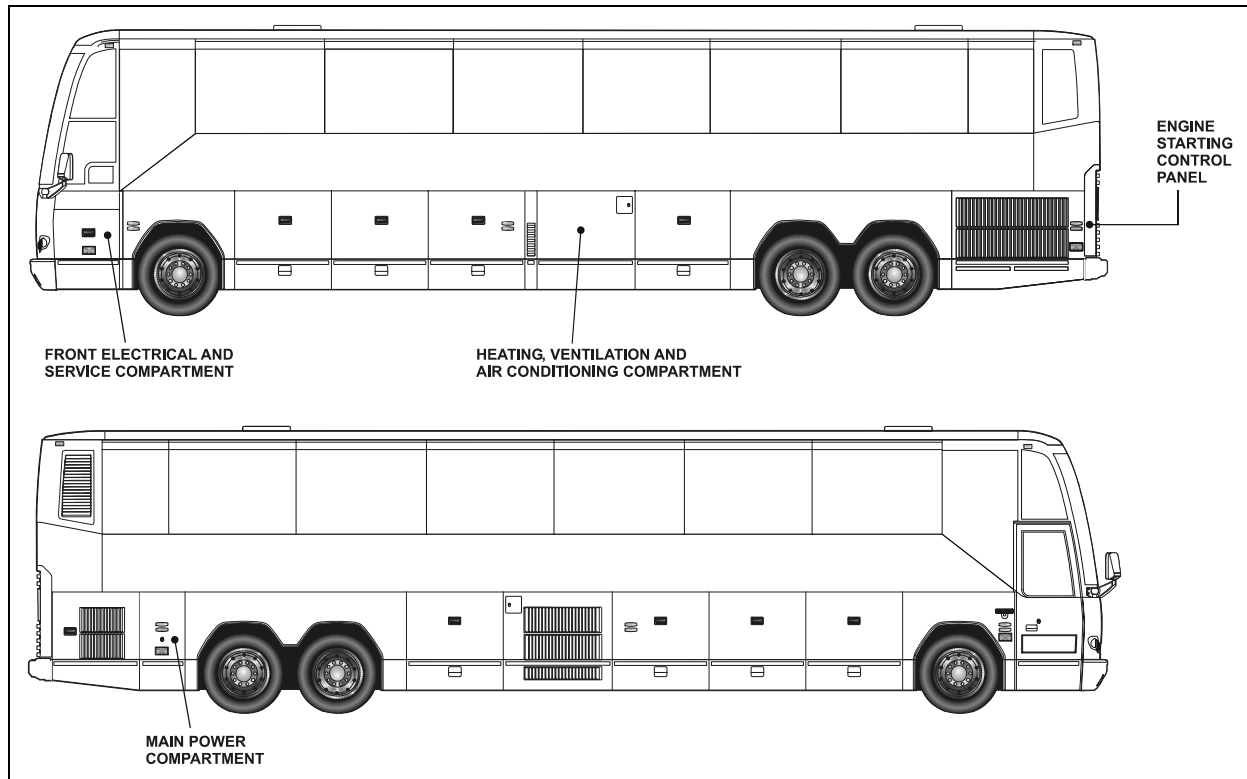


FIGURE 4: ELECTRICAL COMPARTMENTS

### 2.1 MAINTENANCE

A Cortec VCI-238 corrosion inhibitor has been sprayed in all electrical compartments to protect components from corrosion. The life expectancy of this product is five years, so it is recommended to reapply it every five years. It is also recommended to spray it on new components when added or replaced.

**⚠ WARNING ⚠**

**Use VCI-238 in a well ventilated area. Do not smoke. Avoid prolonged contact with skin and breathing of spray mist. Harmful or fatal if swallowed. Do not induce vomiting. Call physician immediately.**

**⚠ CAUTION ⚠**

**Never put grease, Cortec VCI-238 or other product on the multiplex modules connector terminals.**

### 2.2 MAIN POWER COMPARTMENT

The main power compartment is located on rear R.H. side of vehicle behind the rear

wheelhousing. This compartment contains the following components (Fig. 5 & 6):

- Four 12-volt batteries;
- Main circuit breakers for 12-volt and 24-volt electrical system;
- Voltage regulator (if applicable);
- Battery equalizer;
- Battery Charger (optional);
- Battery master relay (R1) & battery master switch;
- TCM (Transmission Control Module) for Allison Transmission or ZF-Astronic transmission ECU;
- Secondary circuit breakers;
- Relays;
- Rear fuse box known as VECR (Vehicle Electrical Center Rear);
- Multiplex modules: I/O-A, I/O-B;
- Electronic ground stud.

**Section 06: ELECTRICAL**

<b>Main Power Compartment (coaches)</b>			
<b>Multiplex Modules</b>			
A49	I/O-A	A52	I/O-B
A50	I/O-B	A53	I/O-B
A51	I/O-B		
<b>Relays</b>			
R1	Master relay	R14	Reading lamps
R3	12V IGN & A/C	R15	Option
R6	Fluorescent (direct lighting)	R17	12V Rr wake-up mode
R8	Service brakes	R21	Emergency cut-out
R13	Fluorescent (indirect lighting)	R25	Option
<b>Fuses</b>			
F50	Pre-heating	F69	Overhead storage compartment lighting RH & LH
F51	Pre-heating	F70	Free/customer
F52	Spare fuse	F71	Spare fuse
F53	A54 multiplex module	F72	A50 multiplex module
F54	Free/customer	F73	Spare fuse
F55	Center aisle fluorescent & emergency lighting	F74	MCM engine IGN
F56	Fluorescent (indirect lighting)	F75	ECU trans IGN
F57	Fluorescent (indirect lighting)	F76	Free/customer
F58	Fluorescent (direct lighting)	F77	ECU transmission wake-up
F59	Fluorescent (direct lighting)	F78	MCM engine wake-up
F60	Reading lamps RH	F79	MCM engine wake-up
F61	Reading lamps RH	F80	A51 multiplex module
F62	Lavatory night light	F81	Alternators excitation resistor
F63	Pre-heater	F85	Spare fuse
F64	Wheelchair lift	F86	Spare fuse
F65	Multiplex modules main power compartment	F87	Spare fuse
F66	Radiator fan clutch	F88	Spare fuse
F67	A54 multiplex module	F89	Spare fuse
F68	A54 multiplex module		
<b>Resistors</b>			
RES13	Excit. res. ALT-1	RES14	Excit. res. ALT-2
<b>Diodes</b>			
D6	Master relay	D31	A/C compressor clutch
D8	Passenger liquid valve	D33	Toilet flush pump
D15	Wake-up mode	D36	Radiator fan clutch 2
D28	A/C compressor unloader RH	D37	Radiator fan clutch 1
D29	A/C compressor unloader LH	DXX	Not used

<b>Main Power Compartment (VIP)</b>			
<b>Multiplex Modules</b>			
A49	I/O-A	A52	I/O-B
A50	I/O-B	A53	I/O-B
A51	I/O-B		
<b>Relays</b>			
R1	24V Master relay	R30	24V Door lock LH
R3	12V IGN & A/C	R31	24V Door lock RH
R17	12V Rr wake-up mode	R32	24V Door unlock LH
R21	24V Emergency cut-out	R33	24V Door unlock RH
R25	24V MCM ignition	CH57	Slide-out Trans inhibit
<b>Fuses</b>			
F50	Regulator	F69	Service brake relay
F51	Awning window Luggage doors lock relay	F70	Customer 24VI Battery cmpt lighting
F52	Refrigerant fill up valve	F71	PWR A50 multiplex module
F53	Customer 24VD	F72	Spare fuse
F54	Spare	F73	MCM engine IGN
F55	Spare	F74	ECU trans IGN
F56	Spare	F75	Ccustomer12VI
F57	Spare	F76	ECU transmission wake-up
F58	Spare	F77	MCM engine wake-up
F59	Luggage door locks	F78	MCM engine wake-up
F60	Luggage door locks	F79	PWR A51 multiplex module
F61	Spare	F80	Alternators excitation resistor
F62	Prime pump	F81	Spare fuse
F63	Spare	F85	Spare fuse
F64	PWR MUX modules main power cmpt	F86	Spare fuse
F65	Radiator fan clutch	F87	Trailer PWR
F66	PWR A54 multiplex module	F88	Backup camera
F67	PWR A54 multiplex module	F89	Spare fuse
F68			
<b>Resistors</b>			
RES13	Excit. res. ALT-1	RES14	Excit. res. ALT-2
<b>Diodes</b>			
D6	Master relay	D31	A/C compressor clutch
D15	Wake-up mode	D36	Radiator fan clutch 2
D28	A/C compressor unloader RH	D37	Radiator fan clutch 1
D29	A/C compressor unloader LH	D62	Engine door switch

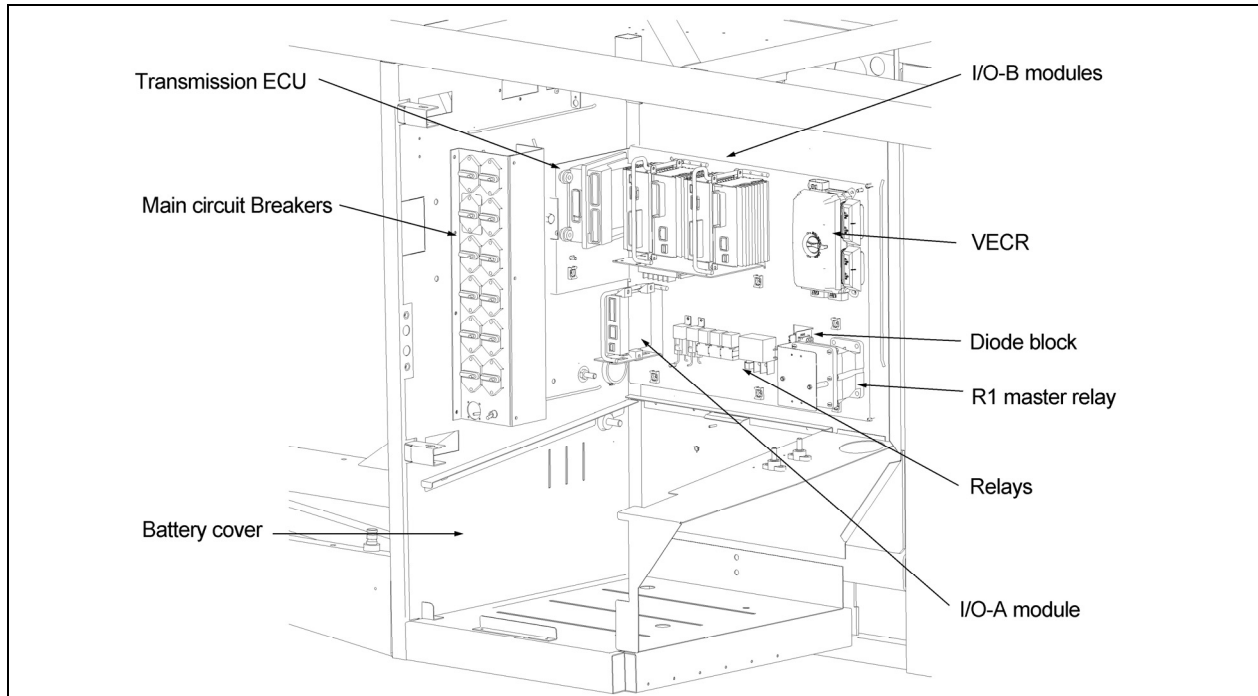


FIGURE 5: MAIN POWER COMPARTMENT (PARTIAL VIEW)

06594

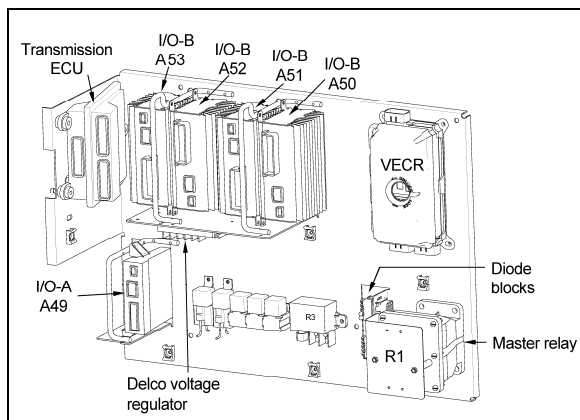


FIGURE 6 : MAIN POWER COMPARTMENT

06598

The front electrical and service compartment is located on front L.H. side of vehicle. It contains the front junction panel with the following components (Fig. 7).

- Resistors;
- ABS module;
- Fuses;
- Relays;
- Kneeling audible alarm;
- Front multiplex modules;
- Front fuse box known as VECF (Vehicle Electrical Center Front);
- Emergency door opening unlock valve (coaches only);
- Windshield washer reservoir;
- Reclining bumper opening handle;
- Accessories air tank purge valve;
- Accessories system fill valve;
- Spare wheel support and rail (coaches only);
- Keyless entry system module (VIP only).

### 2.2.1 Battery Charger Or In-Station Lighting Connector

The vehicle may be equipped with a battery charger or in-station lighting connector. When it is connected to an external 110-120 VAC power source, the in-station lighting circuit can be energized without depleting the batteries. The receptacle is usually located on the main power compartment door or engine compartment R.H. side door.

### 2.3 FRONT ELECTRICAL AND SERVICE COMPARTMENT

**Section 06: ELECTRICAL**

Front Electrical & Service Compartment (coaches)			
<b>Multiplex Modules</b>			
MASTER ID	Interface	A43	I/O-A
ABS-ECU	ABS system 12 volts	A44	I/O-B
CECM	Multiplex chassis electronic control module	A45	I/O-B
A41	I/O-A	A46	I/O-B
A42	I/O-A		
<b>Relays</b>			
R18	Wake-up mode	R22	Engine brake
R19	Wake-up mode	R24	Upper windshield wipers
<b>Fuses</b>			
F1	Multiplex CECM module	F23	Intercom
F2	Front start main switch	F24	Mirror
F3	Pre-heating & driver liquid solenoid valve	F25	Back-up camera
F4	Wireless microphone	F26	Spare fuse
F5	Wake-up mode relay 24 volts	F27	Free/customer
F6	Free/customer	F28	Driver power window
F7	ABS & pre-heating control	F29	Instrument cluster & data reader
F8	Air horn	F30	Cigarette lighter & 12-volt accessory outlet
F9	Spare fuse	F31	Keyless entry module
F10	Spare fuse	F32	Spare fuse
F11	Sun visor	F33	Wake-up mode relay 12 volts
F12	power A41 multiplex module	F34	Wake-up mode relay 12 volts
F13	power A41 multiplex module	F35	12-volt accessory outlet
F14	Free/customer	F36	HVAC & telltale panel
F15	ABS brake system	F37	Spare fuse
F16	Defroster unit	F38	Spare fuse
F17	Destination sign	F39	Spare fuse
F18	Upper windshield defroster	F40	Spare fuse
F19	Pro Driver	F41	Spare fuse
F20	Dashboard rocker switch red LED	F82	Lower windshield wipers
F21	A44 multiplex module	F83	Sound system
F22	ABS brake system	F84	Free/customer
<b>Diodes</b>			
D1	Accessories	D21	Service brake
D44	Ignition	D22	Service brake
DXX	Not used		

Front Electrical & Service Compartment (VIP)			
<b>Multiplex Modules</b>			
MASTER ID	Interface	A43	I/O-A
ABS-ECU	ABS system 12 volts	A44	I/O-B
CECM	Multiplex chassis electronic control module	A45	I/O-B
A41	I/O-A	A46	I/O-B
A42	I/O-A		
<b>Relays</b>			
R18	24V Wake-up mode	R22	Engine brake
R19	12V Wake-up mode	R24	Upper windshield wipers
<b>Fuses</b>			
F1	PWR CECM module	F23	ABS brake system
F2	Front start main switch	F24	Mirror
F3	Driver liquid solenoid valve	F25	Spare fuse
F4	Spare fuse	F26	Spare fuse
F5	Wake-up mode relay 24 volts	F27	Customer
F6	Customer	F28	Driver power window
F7	Spare fuse	F29	Instrument cluster & data reader
F8	Multi function switch	F30	Cigarette lighter & 12-volt accessory outlet
F9	Auxiliary unit fan	F31	Keyless entry module
F10	Pneumatic cut-out solenoid	F32	Driver seat
F11	Sun visor	F33	Wake-up mode relay 12 volts
F12	PWR MUX modules	F34	Wake-up mode relay 12 volts
F13	PWR MUX modules	F35	12-volt accessory outlet
F14	Customer	F36	HVAC module & telltale panel
F15	Engine brake relay R22	F37	Spare fuse
F16	Defroster unit	F38	Spare fuse
F17	Level low	F39	Spare fuse
F18	Upper windshield wiper	F40	Spare fuse
F19	Keyless module	F41	Spare fuse
F20	Dashboard rocker switch red LED	F82	Lower windshield wipers
F21	PWR A44 multiplex module	F83	Spare fuse
F22	ZF steering control	F84	Customer
<b>Diodes</b>			
D1	Accessories	D13	ABS
D2	Driver unit liquid solenoid valve	D22	Service brake
D12	Engine brake	D44	ignition

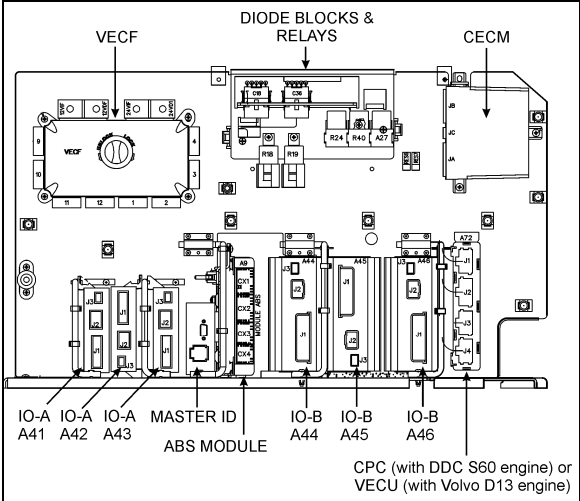


FIGURE 7: FRONT ELECT. & SERVICE COMPARTMENT 06665

2.4 ENGINE REAR START PANEL

This control panel is located in the R.H. side of engine compartment near the engine oil reserve tank. This control panel includes the engine starter selector switch, as well as the rear start push button switch to start engine from engine compartment.

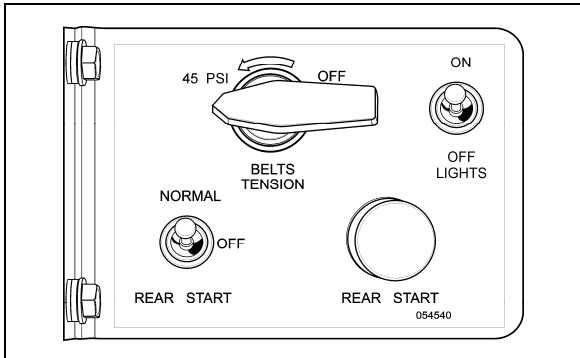


FIGURE 8: ENGINE REAR START PANEL 01044

2.5 A/C AND HEATING CONTROLS

The following components are located in the main power compartment (Fig. 5).

Main Power Compartment			
Diodes (HVAC)			
D8	Passenger liquid valve (Central HVAC System)	D31	A/C compressor clutch (Central HVAC System)
D28	A/C compressor unloader R.H	D65	Small A/C compressor clutch (VIP)
D29	A/C compressor unloader L.H		

The following components are located in the front electrical and service compartment (Fig. 7).

Front Electrical & Service Compartment			
Fuses & Diode (HVAC)			
F3	Pre-heating driver solenoid valve	F18	Upper windshield defroster
F9	Auxiliary unit fan	F36	HVAC & telltale panel
F16	Defroster unit	D2	Driver unit liquid solenoid valve (VIP)

The following components are located in the Evaporator Compartment (HVAC). They are mounted on a panel located on the R.H. side wall when facing the compartment (Fig. 9).

Evaporator Compartment			
Multiplex Module			
A54	I/O-B		
Relays			
R9	24V Condenser fan R.H	R20	Water pump
R10	24V Condenser fan L.H	R26	Pre-heating
R12	24V Evaporator fan		
Diodes			
D9	Pre-heating	D19	Baggage compartment -2
D10	Pre-heating	D20	Baggage compartment -1
D16	Baggage compartment -3	DXX	Not used
D17	Baggage compartment -5		

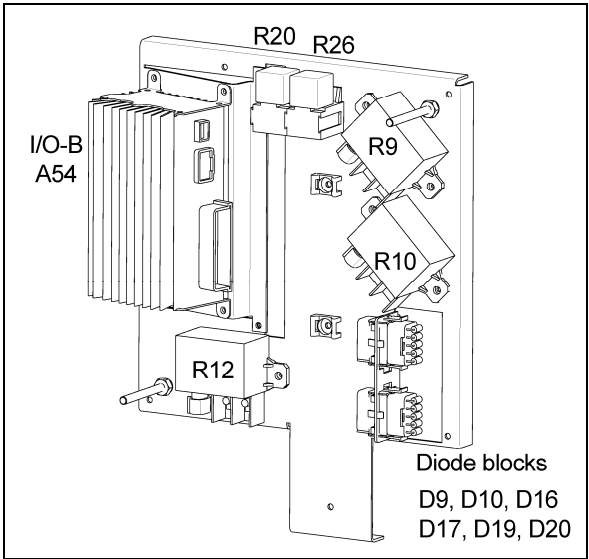


FIGURE 9: HVAC PANEL IN EVAPORATOR COMPARTMENT 06596

## Section 06: ELECTRICAL

Each relay or resistor is identified to facilitate its location (Fig. 9).

### NOTE

*It is important when checking the A/C and heating system to keep the condenser compartment door closed in order to avoid faulty readings.*

### 2.6 PNEUMATIC ACCESSORY PANEL

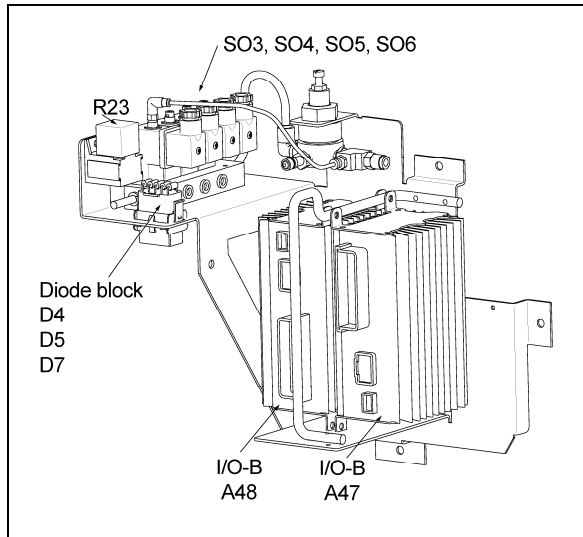


FIGURE 10 : PNEUMATIC ACCESSORY PANEL 06597

Pneumatic Accessory Panel Inside Right Console (coaches)			
Multiplex Modules			
A47	I/O-B	A48	I/O-B
Relays			
R23	Lower windshield wipers		
Solenoids			
SO3	Door unlock solenoid valve	SO5	Door opening solenoid valve (coaches)
SO4	Door unlock solenoid valve	SO6	Door closing solenoid valve (coaches)
Diodes			
D4	Lower windshield wipers speed 2	D56	Entrance door switch (VIP)
D5	Lower windshield wipers speed 1	D66	Water pump (VIP)
D7	Entrance door (coaches)	D73	Entrance door hinge switch

To access the pneumatic accessory panel of the right console, remove the panel under the larger utility compartment at the right of the dashboard.

### 3. BATTERIES

The vehicle is provided with four (4) maintenance-free 12-volt heavy-duty batteries connected in series-parallel (Fig. 11 & 12). The top-mounted negative and positive terminals are tightly sealed to prevent leaks. Water never needs to be added to this type of battery. There are no filler caps in the cover. The battery is sealed, except for small vent holes in the cover. The vents must not be restricted as they allow small amounts of gases produced in the battery to escape. The special chemical composition inside the battery reduces gassing to a very small amount at normal charging voltages. Besides reducing gassing, the special chemistry greatly reduces the possibility of overcharge damage.

The vents require keeping the battery in an upright position to prevent electrolyte leakage. Tipping the battery beyond a 45° angle in any direction can allow a small amount of electrolyte to leak out of the vent holes.

### WARNING

**DO NOT tip battery by more than 45° when carrying or installing the battery.**

### NOTE

Evidence of electrolyte leakage does not necessarily mean the battery is defective.

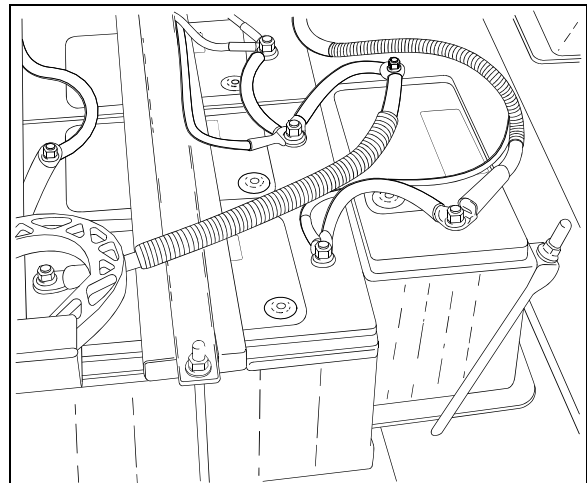


FIGURE 11: BATTERIES 06343

With special cables properly attached to the batteries, the metal surfaces that carry the current are completely sealed from the

atmosphere. This prevents terminal oxidation and corrosion that may cause starting and charging problems. If new cables are required, sealed terminal cable replacements should be used to retain the reliability of the original maintenance-free connections.

**⚠ WARNING ⚠**

**All lead-acid batteries generate hydrogen gas, which is highly flammable. If ignited by a spark or flame, the gas may explode violently, causing spraying of acid, fragmentation of the battery, which may result in severe personal injuries. Wear safety glasses and do not smoke when working near batteries. In case of contact with acid, flush immediately with water.**

- The battery has four (4) major functions:
1. Providing a source of current for starting the engine.
  2. Stabilizing the voltage in the electrical system.
  3. Supplying current for a limited time, when electrical demands of the equipment exceed the power output of the alternator.
  4. Providing a limited source of power for connected accessories, when the engine is not running.

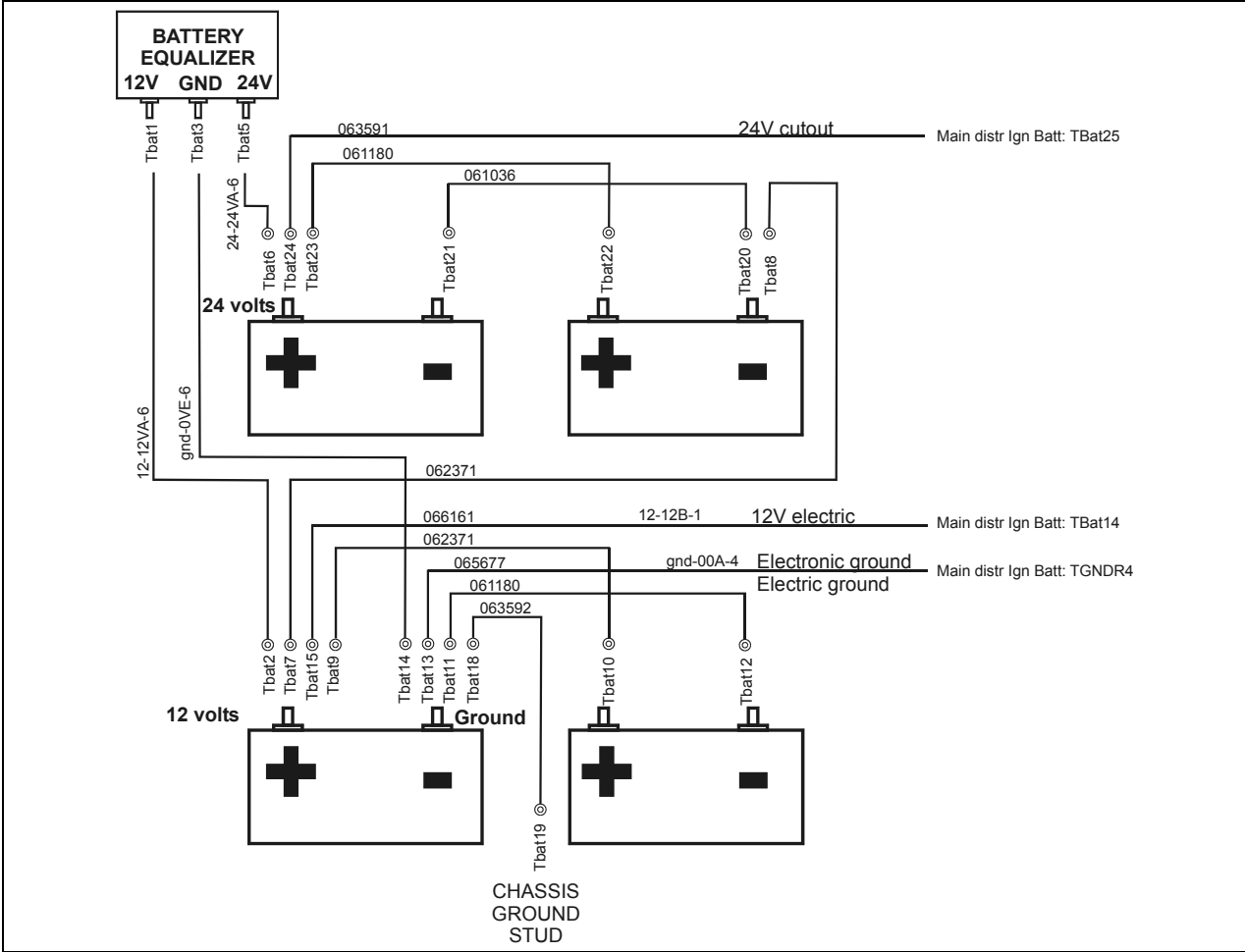


FIGURE 12: BATTERY CONNECTIONS

## Section 06: ELECTRICAL

### 3.1 BATTERY DISCHARGE PROTECTION

To prevent discharge of the batteries when the engine is not running, some functions are automatically switched off if the batteries voltage drops below 24 volts for more than 30 seconds. The "BAT" telltale light blinks while this protection mode is active. Set the ignition key to the OFF position and then turn the ignition key to the ON position to reactivate the functions for a period of 30 seconds before they switch off again. If a prolonged use of the functions with the engine not running is necessary, connect the battery to a charger.

### 3.2 MAIN BATTERY RELAYS

Main battery relays (12 V. and 24 V.) are provided for this vehicle. The relays are located in the main power compartment. The 24-volt battery relay engages when ignition key is in the ON or ACC position and battery master switch is flipped ON.

When the main battery relays are turned to the OFF position, all electrical supply from the batteries is cut off, with the exception of the following items.

- Battery equalizer check module;
- MCM;
- TCM power (Allison transmission);
- Preheater electronic timer;
- Preheater and water recirculating pump;
- Sedan entrance door;
- Radio memory;
- CECM;
- Cluster memory.

### 3.3 BATTERY REMOVAL AND INSTALLATION

1. Remove the two screws at the bottom of the plastic protective cover. Unscrew the two quarter turn nuts to remove the protective cover.
2. Remove supports. Unscrew terminal nuts of each defective battery.

#### **NOTE**

Main battery relays should be in the "Off" position before disconnecting cables from the batteries.

3. Remove battery cables from the batteries.

#### **NOTE**

When the battery cables have been removed from the batteries, wrap the battery terminals and cable ends with electric tape to prevent accidental grounding. The ground cables should always be disconnected first and replaced last.

4. Remove batteries.
5. Installation is the reverse of removal.

#### **NOTE**

In replacing batteries, only batteries of the same specification should be used. Refer to "Specifications" at the end of this section for further details.

#### **NOTE**

When reinstalling batteries, battery connections must be tightened to 10-15 lbf-ft (13-20 Nm) and the nut on top of sliding tray to 4 lbf-ft (5-6 Nm). A torque wrench is required to ensure an accurate tightening torque.

#### **CAUTION**

Ensure that connections are not reversed when reinstalling batteries, since damage to electrical system components will result.

#### **CAUTION**

After reinstalling battery terminals, apply protective coating (Nyogel grease). Do not use Cortec VCI-238.

#### **WARNING**

To prevent possible electric shock or sparking, the main battery relays must be set to the "Off" position before tightening an electrical connection.

#### **NOTE**

A protective silicone free, coating should be applied on all power connections that have been disconnected. We recommend the use of Cortec VCI-238 (Prevost #682460) on all electrical connections.



### 3.4 BATTERY RATING

Each of the 12-volt batteries used on the vehicle has the following rating:

- Reserve capacity: 195 minutes
- Cold cranking (amps): 950 @ 0°F (-18°C)
- Cold cranking (amps): 745 @ -20°F (-29°C)
- Weight (filled): 59 lb (26,7 kg)

The reserve capacity is defined as the number of minutes a new, fully charged battery at 80°F (26,6°C) can be discharged at 25 amperes and maintain a minimum of 1.75 volts per cell (10.5 volts total for one 12-volt battery). This rating can be used as a basis for determining how long a vehicle might run after an alternator failure.

The cold cranking rating is defined as the minimum discharge current a battery will deliver in amperes for 30 seconds at 0 F (-18 C) while maintaining a minimum of 1.2 volts per cell (7.2 volts total for one 12-volt battery). This rating can be used as a basis for comparing starting performance.

### 3.5 BATTERY TESTING

The maintenance-free battery has a strong ability to withstand the damaging effects of overcharge. The test indicator in the cover is used only to determine if the battery can be tested in case of a cranking problem.

The test indicator in the battery cover is to be used with accepted diagnostic procedures only. It must not be used to determine if the battery is good or bad, charged or discharged. The test indicator is a built-in hydrometer in one cell that provides visual information for battery testing (Fig. 13).

It is important when observing the test indicator, that the battery be relatively level and has a clean indicator top to see the correct indication. Some lighting may be required in poorly lit areas. Under normal operation, two indications can be observed.

#### Green Dot Visible

Any green appearance is interpreted as a "green dot", and the battery is ready for testing. On rare occasions, following prolonged cranking, the green dot may still be visible when the battery is obviously discharged. Should this occur, charge the battery as described under "Charging Procedure" in "Battery Charging" later in this section.

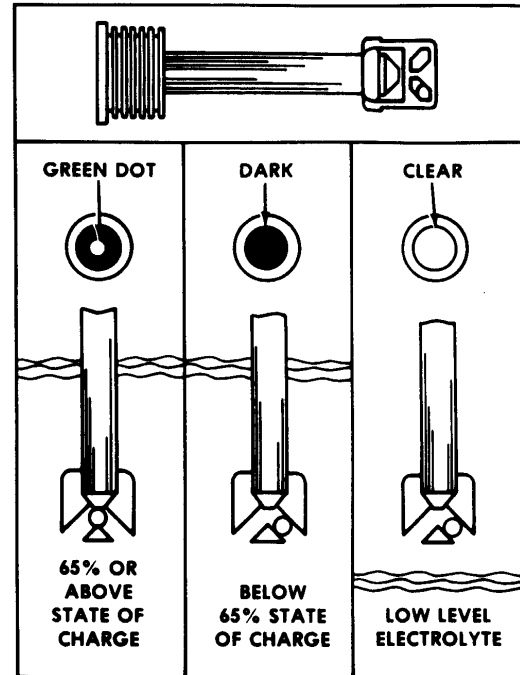


FIGURE 13: TEST INDICATOR

06096

#### Dark - Green Dot Not Visible

If there is difficulty cranking the engine, the battery should be tested as described in this section. On rare occasions, the test indicator may turn light yellow. In this case, the integral charging system should be checked. Normally, the battery is capable of further service; however, if difficult start has been reported, replace the battery. **DO NOT CHARGE, TEST, OR JUMP-START.**

#### 3.5.1 Visual Inspection

1. Check the outside of the battery for a broken or cracked cover or case that could permit loss of electrolyte. If obvious physical damage is noted, replace the battery.
2. Check for loose terminal posts, cable connections, damaged cables, and for evidence of corrosion. Correct conditions as required before proceeding with tests.

#### 3.5.2 Removing Surface Charge

Disconnect cables from the battery and attach alligator clamps to the contact lead pad on the battery as shown in figure 15. Connect a 300 ampere load across the terminal for 15 seconds to remove surface charge from the battery.

## Section 06: ELECTRICAL

### 3.5.3 Load Test

This test is one means of checking the battery to determine its ability to function as required in the vehicle.

To make this test, use test equipment that will withstand a heavy electrical load from the battery, such as a carbon pile resistor or other suitable means.

1. Connect a voltmeter, ammeter, and a variable load resistance as illustrated in figure 13.

**⚠ CAUTION ⚠**

**Observe polarity of the meters and the battery when making connections, and select the correct meter range.**

2. Apply a 290 amperes load to the battery for 15 seconds.
3. With an ammeter reading specified load, read voltage. The voltage should be at least 9.6 volts. Disconnect the load. If the voltmeter indicates 9.6 volts or more, the battery is good. If the voltmeter reading is less than 9.6 volts, replace the battery. This voltage is to be used for battery ambient temperatures of 70°F (21°C) and above. For temperatures below 70°F (21°C), refer to the following "Voltage and Temperature Chart".

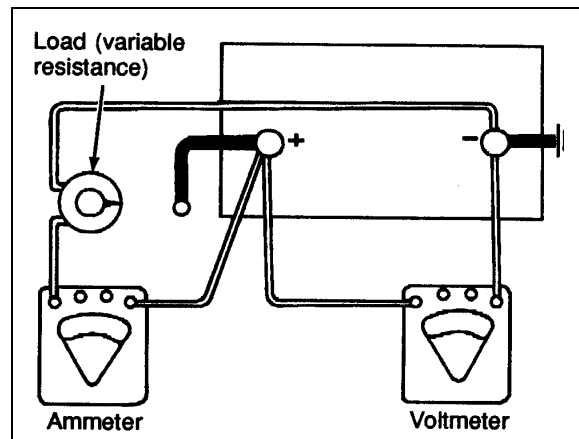


FIGURE 14: LOAD TEST

06064

**NOTE**

*The accuracy of this test procedure is dependent upon close adherence to the proper load, time and temperature specifications.*

### Voltage and Temperature Chart

Ambient Temperature	Minimum Voltage
70°F (21°C) and above	9.6
60°F (16°C)	9.5
50°F (10°C)	9.4
40°F (4°C)	9.3
30°F (-1°C)	9.1
20°F (-7°C)	8.9
10°F (-12°C)	8.7
0°F (-18°C)	8.5

### 3.5.4 Testing Battery Cables

Check all cable ring terminals and connections to determine if they are in good condition. Excessive resistance, generally caused by poor connections, produces an abnormal voltage drop which may lower voltage at the starter to such a low value that normal operation of the starter will not be obtained. An abnormal voltage drop can be detected with a low-reading voltmeter as follows:

**⚠ WARNING ⚠**

**To prevent the engine from starting, remove fuses F78 & F79 located in the VECR. Once these tests are completed, reinstall F78 & F79.**

1. Check voltage drop between grounded (negative) battery terminal and vehicle frame by placing one prod of the voltmeter on the battery terminal and the other on a good ground (unpainted surface) on the vehicle. With the starter cranking the engine at a temperature of 70°F (21°C), voltage reading should be less than 0.3 volt. If the voltage reading exceeds 0.3 volt, there is excessive resistance in this circuit.
2. Check voltage drop between the positive battery terminal and the starter positive terminal stud while the starter motor is operated. If the reading is more than 2.5 volts, there is excessive resistance in this circuit.

**NOTE**

*If it is necessary to extend the voltmeter lead for this test, use a #16 (AWG) or larger wire.*

3. Check voltage drop between the starter housing and a good ground on the vehicle. The reading should be less than 0.2 volt.

**⚠ WARNING ⚠**

Any procedure other than the following could cause personal injury or damages to the charging system resulting from battery explosion or electrical burns.

Wear adequate eye protection when working on or near the batteries. Ensure that metal tools or jumper cables do not contact the positive battery terminal (or a metal surface in contact with it) as a short circuit will result. Do not attempt to jump start a vehicle suspected of having a frozen battery because the battery may rupture or explode. Both the booster and discharged batteries must be treated carefully when using jumper cables. Follow exactly the procedure outlined later in this section, being careful not to cause sparks.

### 3.6 BATTERY CHARGING

**⚠ WARNING ⚠**

During charging of the batteries, an explosive gas mixture forms in each cell. Part of this gas escapes through the vent holes and may form an explosive atmosphere around the battery itself if ventilation is poor. This explosive gas may remain in or around the battery for several hours after it has been charged. Sparks or flames can ignite this gas causing an internal explosion, which may shatter the battery.

Do not smoke near a battery which is being charged or which has been recently charged.

Do not break live circuits at battery terminals because a spark usually occurs at the point where a live circuit is broken. Care must always be taken when connecting or disconnecting booster leads or cable clamps on chargers. Poor connections are a common cause of electric arcs, which cause explosions.

**⚠ CAUTION ⚠**

The electrical system on this vehicle is negative ground. Installing the batteries with the positive terminals grounded or incorrect use of the booster battery and jumper cables will result in serious damage to the alternator, batteries and battery cables.

The batteries used on this vehicle can be charged either on or off the vehicle; however, when they are removed from the vehicle, it is recommended that an adapter kit, which is available from any "A/C DELCO" dealer, be used in charging sealed-terminal batteries. Use the booster block to charge the batteries when they are left on vehicle and **make sure that the main battery disconnect switch is set to the "On" position.**

The alligator clamps of the tester or charger must be placed between the terminal nuts and the lead pads of the terminal studs (Fig. 15) after the vehicle cables are detached. The alligator clamps should make firm contact with the lead pads.

**Note:** *If this connection cannot be made because of the alligator clamp design, the load value for testing must be reduced from 290 to 260 amperes.*

On rare occasions, such as those that occur following prolonged cranking, the green dot in the test indicator may still be visible when the battery is obviously discharged. Should this occur, a boost charge of 20 amperes-hour is recommended. Under normal operating conditions, do not charge the battery if the green dot is visible. The battery should never be charged if the test indicator (hydrometer) is clear or light yellow. If this occurs, replace the battery.

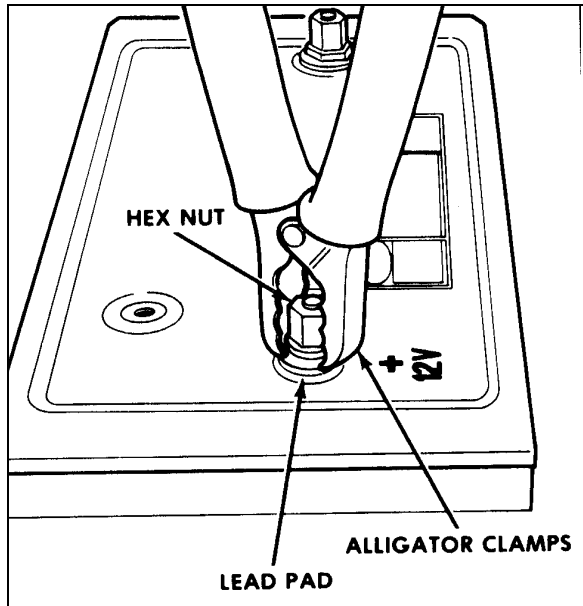


FIGURE 15: ALLIGATOR CLAMPS AND BATTERY 06065

A charge rate between 3 and 50 amperes is generally satisfactory for any maintenance-free battery as long as spewing out of electrolyte does not occur or the battery does not feel excessively hot (over 125°F (52°C)). If spewing out or violent gassing of electrolyte occurs or battery temperature exceeds 125°F (52°C), the charging rate must be reduced or temporarily stopped to allow cooling and to avoid damaging the battery.

Battery temperature can be estimated by touching or feeling the battery case. The battery is sufficiently charged when the green dot in the built-in hydrometer is visible. No further charging is required. Shake or tilt the battery at hourly intervals during charging to mix the electrolyte and see if the green dot appears.

**⚠ WARNING ⚠**

**Always turn off the charger before connecting or disconnecting to a battery.**

**NOTE**

*The charge rate must be doubled when the batteries are charged by the booster block, because of the series-parallel circuit.*

Battery charging consists of a charge current in amperes for a period of time in hours. Thus, a 25 ampere charging rate for 2 hours would be a 50 ampere-hour charge to the battery. Most batteries, whose load test values are greater than 200 amperes, will have the green dot visible after at least a 75 ampere-hour charge. In the

event that the green dot does not appear, replace the battery.

### 3.6.1 Battery Charging Guide

#### Fast Charging Rate

- 3-3/4 hours @ 20 amps
- 2-1/2 hours @ 30 amps
- 2 hours @ 40 amps
- 1-1/2 hours @ 50 amps

#### Slow Charging Rate

- 15 hours @ 5 amps
- 7-1/2 hours @ 10 amps

The time required for a charge will vary according to the following factors:

#### Size of Battery

For example, a completely discharged large heavy-duty battery requires more than twice the recharging time of a completely discharged small passenger car battery.

#### Temperature

For example, a longer time will be needed to charge any battery at 0°F (-18°C) than at 80°F (27°C). When a fast charger is connected to a cold battery, the current accepted by the battery will be very low at first, and then in time, the battery will accept a higher rate as it warms.

#### State of Charge

For example, a completely discharged battery requires more than twice as much charge than a half-charged battery. Since the electrolyte is nearly pure water and a poor conductor in a completely discharged battery, the current accepted is very low at first. Later, as the charging current causes the electrolyte acid content to increase, the charging current will likewise increase.

#### Charger Capacity

For example, a charger which can supply only 5 amperes will require a much longer period of charging than a charger that can supply 30 amperes or more.

### 3.6.2 Emergency Jump Starting With Auxiliary (Booster) Battery

**⚠ WARNING ⚠**

**Off-board battery charger with a start boost facility must not be used to jump start the vehicle. This could damage the electrical system. Do not jump start vehicles equipped with maintenance-free batteries if the test indicator is light yellow.**

Both booster and discharged batteries should be treated carefully when using jumper cables. A vehicle with a discharged battery may be started by using energy from a booster battery or the battery from another vehicle.

**⚠ WARNING ⚠**

**Jump starting may be dangerous and should be attempted only if the following conditions are met:**

The booster battery or the battery in the other vehicle must be of the same voltage as the battery in the vehicle being started, and must be negative grounded.

If the booster battery is a sealed-type battery without filler openings or caps, its test indicator must be dark or a green dot must be visible. Do not attempt jump starting if the test indicator of the booster battery or the discharged battery has a light or bright center.

**⚠ WARNING ⚠**

**Follow the procedure exactly as outlined hereafter. Avoid making sparks.**

Wear eye protection and remove rings, watches with metal bands and other metal jewelry.

Apply parking brake and place the transmission shift lever or push-button pads in Neutral (N) position in both vehicles. Turn off lights, heater and other electrical loads. Observe the charge indicator. If the indicator in the discharged battery is illuminated, replace the battery. **Do not** attempt jump starting when indicator is illuminated. If the test indicator is dark and has a green dot in the center, failure to start is not due to a discharged battery and the cranking system should be checked. If charge indicator is dark but the green dot does not appear in center, proceed as follows:

1. Connect one end of one red jumper cable to the positive (+) terminal of the booster power source and the other end to the positive (+) post of the booster power block, located in the engine R.H. side compartment.
2. Connect one end of the remaining negative jumper cable (black) to the negative (-) terminal of the booster power source, and the other end of the black jumper cable to the negative (-) post of the booster power block.
3. Make sure the clips from one cable do not inadvertently touch the clips on the other cable. Do not lean over the battery when making connections. The ground connection must provide good electrical conductivity and current carrying capacity.
4. Start the engine in the vehicle that is providing the jump start. Let the engine run for a few minutes, then start the engine in the vehicle that has the discharged batteries.
5. When removing the jumper cables, perform the above procedure exactly in reverse order, and replace protective caps on booster block terminals.

**⚠ WARNING ⚠**

**Any procedure other than the above could result in personal injury, property damage due to battery explosion, or damage to the charging system of the booster vehicle or of the boosted vehicle.**

**NOTE**

*Jumper cables must withstand 500 cranking amperes. If cable length is 20 feet (6m) or less, use 2/0 (AWG) gauge wires. If cable length is between 20-30 feet (6-9m), use 3/0 (AWG) wires.*

### 3.7 CLEANING AND INSPECTION

The external condition of the battery and the battery cables should be checked periodically. The top of the battery should be kept clean and the battery hold-down clamp bolts should be kept properly tightened. For best results when cleaning the battery, wash first with a diluted solution of ammonia or soda to neutralize any acid present, then wash out with clean water. The battery hold-down bolts should be kept tight enough to prevent the batteries from moving, but they should not be tightened to the point that excessive strain is placed on the battery

## Section 06: ELECTRICAL

hold-down cover (proper tightening torque: 45-55 lbf-in (5-6 Nm)).

To insure good contact, the battery cable ring terminals should be tight on the battery posts. If the posts or cable ring terminals are corroded, the cables should be disconnected and the posts and clamps cleaned separately with a soda solution and a wire brush. Install cable ring terminals on battery posts and tighten to a torque of 10-15 lbf-ft (13-20 Nm). Replace protective caps to prevent corrosion and sparks.

### 3.8 COMMON CAUSES OF BATTERY FAILURE

When a battery fails, the cause of failure may be related to something other than the battery. For this reason, when a battery failure occurs, do not be satisfied with merely recharging or replacing the battery. Locate and correct the cause of the failure to prevent recurrence. Some common external causes of battery failure are as follows:

1. A defect in charging system such as high resistance or a faulty alternator or regulator.
2. A malfunction within the 12-volt system (equalizer).
3. Overloads caused by a defective starter or excessive use of accessories.
4. Dirt and electrolyte on top of the batteries causing a constant drain.
5. Hardened battery plates, due to battery being in a low state of charge over a long period of time.
6. Shorted cells, loss of active material from plates.
7. Driving conditions or requirements under which the vehicle is driven for short periods of time.
8. A constant drain caused by a shorted circuit such as an exposed wire or water infiltration in junction boxes causing ground fault.
9. Extended operation of preheating system with engine not running.
10. Failing to close disconnect switches during the night.

### 3.9 TROUBLESHOOTING

If a battery is known to be good and then has not performed satisfactorily in service for no apparent reason, the following factors may reveal the cause of trouble:

1. Vehicle accessories and disconnect switches inadvertently left on overnight.
2. Defects in the charging system, such as high wiring resistance, faulty alternator, regulator or battery equalizer.
3. A vehicle electrical load exceeding the alternator (or battery equalizer) capacity, with the addition of electrical devices, such as CB radio equipment, a cellular phone or additional lighting systems.
4. Defects in the electrical system, such as shorted or pinched wires.
5. Extended driving at slow speed while using many accessories.
6. Loose or poor battery cable-to-post connections, previous improper charging of a run-down battery or loose hold-down clamp bolts.
7. High-resistance connections or defects in the cranking system.

### 3.10 "BAT" BATTERY VOLTAGE INCORRECT TELLTALE LIGHT

If the "BAT" (battery voltage incorrect) telltale light is illuminated, check the 24-volt voltmeter to determine if the battery voltage is too high or too low.

#### **NOTE**

*According to the battery charging condition, it is normal that "BAT" telltale light illuminates upon starting the engine and stays illuminated for a few seconds. This is caused by the normal voltage drop of the battery during starting.*

#### 3.10.1 "Bat" Telltale Light Definitions

Voltmeter drops below 24 volts dc

- Check alternator output.
- Check voltage regulator.
- Check battery connections.
- Check battery cells.
- Check battery equalizer connections.

Voltmeter exceeds 30 volts dc

- Check alternator output.
- Check voltage regulator.
- Check battery connections.

Battery Balance

<i>NOTE</i>
<i>Allow at least 15 minutes to balance batteries after any corrective measure has been taken.</i>

1. Batteries out of balance (difference greater than 1.5 volts between the two battery banks).
  - Check battery equalizer connections.
  - Check equalizer cables for proper gauge.
  - Check battery connections.
2. Demand for 12-volt power exceeding rated amperage output of battery equalizers causing batteries to go out of balance.
  - Reduce 12-volt load or install additional battery equalizer(s).

**4. TROUBLESHOOTING AND TESTING THE MULTIPLEX VEHICLES**

4.1 ELECTRICAL SYSTEM DIAGNOSTIC

Using the message center display (MCD), check if there are active errors in the vehicle electrical system. With the SYSTEM DIAGNOSTIC menu, highlight FAULT DIAGNOSTIC and then highlight ELECTRICAL SYSTEM to request a diagnostic of the electrical system from the CECM. Press the enter key. If applicable, the MCD shows the multiplex device ID, the fault messages or fault codes recorded. When more than one fault is recorded, an arrow pointing down appears on the right of the display. Use the down arrow to see all the fault messages.

Once the problem corrected, the MCD still shows the fault as being active. You have to leave the FAULT DIAGNOSTIC menu, wait approximately 20 to 30 seconds and then return to FAULT DIAGNOSTIC to request a new diagnostic of the ELECTRICAL SYSTEM from the CECM. The MCD should display the fault as being inactive. The CECM can store up to 20 faults, i.e. the first 10 and the last 10. Middle faults will be erased. If the breakers are tripped, the fault history will be erased from the CECM memory.

<i>NOTE</i>
<i>When performing an electrical system diagnostic with the MCD (message center display), the message « No Response ModA41» indicates either module A41 is not responding due to a CAN link problem or module A41 is not powered. Similar messages exist for all modules (A42, A43, A44, etc.).</i>
<i>Because it is easier to do, check first if the module is powered by probing on its gray connector. If it is, then you can conclude that there is a CAN link problem. Refer to CAN NETWORK LAYOUT AND TROUBLESHOOTING in this section.</i>

<i>NOTE</i>
<i>It is of the utmost importance to have a MCD (message center display) in working condition because it is the most important tool to achieve troubleshooting on a multiplex vehicle.</i>

4.2 PROBING VOLTAGE ON THE MULTIPLEX CIRCUITS

Some Multiplex modules are supplied by 12 volts while others are supplied by 24 volts. The 12-volt or 24-volt information is found on the modules symbol in the wiring diagram. Before taking voltage readings to track the source of a problem, first verify if the module is supplied by 12V or 24V, if not, residual voltage on the module inputs/outputs can draw an erroneous conclusion.

Inactive Multiplex output = Residual voltage of 18% to 33% of supply voltage.

Inactive Multiplex input = Residual voltage of 50% of supply voltage.

<i>NOTE</i>
<ul style="list-style-type: none"> <li>• <i>Verify on the wiring diagram whether the voltage is 12V or 24V,</i></li> <li>• <i>For a 12V module: an active voltage would be 12V or 0V but not in between. If you measure the intermediate tensions (ex. 6V, 2V, or 4V) this must be interpreted as if the input or the output is inactive.</i></li> <li>• <i>For a 24V module: an active voltage would be 24V or 0V but not in between. If you measure the intermediate tensions (ex. 12V, 4V, or 8V) this must be interpreted as if the input or the output is inactive.</i></li> </ul>

**4.3 CAN NETWORK**

The CAN link wiring is separated in sections and uses connectors that are not shared with other circuits. This allows sections of the network to be isolated to help locate short-circuit on the CAN.

In case of a short-circuit on the CAN link, this affects all the modules and they all show « No Response » in the error messages of the « ELECTRICAL SYSTEM » menu. To locate a short-circuit, proceed by disconnecting one module zone at a time while verifying if this makes inactive the errors in the modules still connected. Connector C1 (front electrical & service compartment) disconnects all the modules at the rear of the vehicle from the network. Connector C5 (front electrical & service compartment) disconnects all the modules from the right-hand console. Connector C100 disconnects the modules from the evaporator compartment. Connector C3 (evaporator compartment) disconnects the modules from the battery compartment.

Example: Disconnect C5 and C1 and then verify the status of the errors. If the front modules (A41 to A46) now give inactive errors, which means short-circuit is elsewhere than in the front electrical & service compartment.

**4.3.1 Can Connection On The Telltale Panel And The Hvac Control Unit**

The telltale panel module and HVAC module are linked to the CECM by a CAN connection. In case of a CAN connection default, the telltale panel LCD display shows "CAN", and on the HVAC control unit, the temperature display indicates "---". To confirm a CAN connection default, check that the fan speed on the driver's section HVAC control unit cannot be adjusted.

Moreover, specific error messages from these 2 modules can be read in the ELECTRICAL SYSTEM menu.

**NOTE**

*While downloading a new vehicle program in the CECM from a computer, the CAN network is temporarily interrupted and therefore a CAN reference appears in the telltale panel LCD display.*

**4.3.2 Spare Can**

A spare CAN network is installed between the front and the rear of the vehicle. It has

connectors installed at each end to facilitate swapping from the regular CAN network to the spare CAN network. Refer to the vehicle wiring diagram and the section 4.2.3 for more information.

**4.4 TEST MODE FOR SWITCHES AND SENSORS**

The switch/sensor test mode provides useful information to diagnose problems complimentary to the electrical system diagnosis.

To enter this mode, activate the dashboard "Telltale Light Test" switch 3 times within 4 seconds. To exit the switch/sensor test mode, reactivate the test switch 1 time or turn OFF the ignition.

**4.4.1 Information Available And Impact On The Functions In Switch/Sensor Test Mode**

Telltale panel audible alarm emits a *beep* each time an OFF/ON transition is detected on a multiplex input. This allows quick verifying if the switches and sensors are detected or seen by the multiplex modules. When the vehicle is parked, the back-up alarm also emits a sound that allows verification of the sensors at the rear of the vehicle.

Certain inputs are doubled (ex. turn signal switch on multi-function lever, door operating buttons) and also other inputs activate at the same time (ex. kneeling switch and Kneeling proximity sensor switch). For these inputs, 2 *beeps* are emitted. If only one *beep* is heard, one of the inputs is defective.

<b>SWITCHES AND SENSORS SUPPORTED BY THE SWITCH/SENSOR TEST MODE</b>
HVAC control unit driver's section ON/OFF
A/C door ajar open sensor
HVAC control unit driver recirculate switch
HVAC overhead compartment fan switch
HVAC control unit passenger's section ON/OFF
Engine ether start switch
Radiator fan clutch switch
Engine front start enable switch
Engine rear start enable switch



Engine ignition front switch
Engine ignition rear switch
Entrance door inside closing switch
Entrance door outside opening /closing switch
Entrance door electric window down switch
Entrance door electric window up switch
Electric horn button
Kneeling down switch
Kneeling up switch
Lavatory emergency switch
Interior lighting switch, 2 positions
Driver's area lighting switch
Reading lights switch
Multi-function lever LH turn signal
Multi-function lever RH turn signal
Fog lights switch
Hazard warning flashers switch
Multi-function lever courtesy blinkers switch
Headlights switch, 2 positions
Multi-function lever headlights beam toggle switch
Baggage compartment door lock/unlock switch
Tag axle signal
Wheelchair lift activation switch
Windshield lower wiper
Multi-function lever windshield wipers intermit.
Multi-function lever windshield wipers speed 1,2
Lower windshield wipers backup switch
Lower windshield washer switch
Upper windshield washer switch
Upper windshield wipers switch, 2 positions

The following inputs, either certain options or sensors which are difficult to activate, are not supported by the switch/sensor test:

- Low-Buoy switch,
- Starter Sensor,
- ABS Warning input,

- WCL switch,
- Driver's Power Window Switch (up & down),
- Fog Lights Switch,
- Alternator Sensors 1 & 2,
- Retarder Active Signal,
- Radiator fan speed 1 & 2 signals.

When in switch/sensor test mode, the A/C compressor HI and LO pressure values are displayed one after the other instead of the outside temperature in the telltale panel LCD display. This feature can be used when the vehicle is traveling to check the A/C compressor pressure values, but no *beep* can be heard.

In test mode, with the parking brake applied and the passenger set point set to a value higher than 64°F (18°C), the circulator pump is not set to OFF as it would normally do when the outside temperature gets above 50°F (10°C). This feature allows verification of the pump when inside a garage. This is also useful when working on the heating system to remove air pockets trapped in the system.



When performing an A/C cooling test and having the water pump shut off in switch/sensor test mode is required, just set the passenger set point temperature to the minimum 64°F (18°C) to shut off the pump.

**4.5 TEST MODE FOR ELECTRIC MOTORS**

The test mode allows testing the motors and electric contactors without the need to have the engine running. Note that while in test mode, the engine cannot be started.

Prerequisite conditions for the motor test mode:

- The battery charger must be connected to a 110-120 volt power supply. If not, the test will be interrupted when the voltage drops below 24 volts,
- Engine not running,
- Parking brake applied,

 <b>WARNING</b> 
<b>Before starting the test sequence, make sure nobody is working in the evaporator or condenser compartment.</b>

<i>NOTE</i>
<i>A delay of 15 seconds during which the back-up alarm will sound is introduced prior the test start</i>

## Section 06: ELECTRICAL

*to advise people that may be working on the vehicle.*

### To enter this mode:

- Activate the dashboard Telltale Light Test switch 3 times within 4 seconds;
- Push the ON/OFF button on the driver's side HVAC control unit 5 times (that makes 3 transitions from OFF to ON),
- A *beep* can be heard indicating the motor test mode has started.

### Using the test mode:

During the entire test, the telltale panel audible alarm gives a signal each second to remind that the motor test mode is underway.

#### 4.5.1 Test Sequence – Coaches only

1. Go to the condenser compartment. The condenser fans start at speed 1, then after a short pause, speed 2 activates.
2. The passenger's unit refrigerant solenoid valve activates.

*Then 5 beeps can be heard from the back-up alarm to indicate to go to the engine compartment.*

### In the engine compartment, the sequence is as follows:

3. A/C compressor clutch activates 3 times.
4. Left compressor unloader activates 3 times.
5. Right compressor unloader activates 3 times.
6. Toilet fan motor starts.

### 5 beeps from the back-up alarm indicate to go to the radiator fan clutch.

7. Fan clutch is disengaged (fan can be turned freely by hand).
8. Fan clutch engages in speed 1 (fan can be turned by hand but with a certain resistance).
9. Fan clutch engages in speed 2 (cannot be turned but hand).

*5 beeps from the back-up alarm indicate to go to the evaporator compartment.*

### In the evaporator compartment:

10. Evaporator fan motor runs at speed 1 for 3 seconds then runs at speed 2 for 2 seconds.

11. Hot water pump starts running for 5 seconds and hot water pneumatic valve cycles 3 times.

*5 beeps from the back-up alarm indicate to go to the overhead storage compartment inside the vehicle.*

### Inside the vehicle:

12. The driver's HVAC unit refrigerant solenoid valve cycles 3 times and the hot water pneumatic valve cycles 3 times also.
13. Left and right overhead compartment fans start running one after the other for 5 seconds.
14. The upper windshield defroster (optional) starts running.

### This ends the test. Activate the dashboard Telltale Light Test switch one time to leave the motor test mode.

#### 4.5.2 Test Sequence – VIP With Central HVAC System

1. Driver's & passenger's unit fresh air damper opening. *[20 seconds delay]*
2. Go to the condenser compartment and check the fans. The condenser motors start at speed 1 for 3 seconds, then after a short pause, speed 2 activates. *[3 seconds delay]*
3. The passenger's unit refrigerant solenoid valve activates 3 times. *[10 seconds delay]*

*Then 5 beeps can be heard from the back-up alarm to indicate to go to the engine compartment and main power compartment.*

### In the engine compartment, the sequence is as follows:

4. The main power compartment door fan starts running for 3 seconds (will not run if door is open). *[10 seconds delay]*
5. A/C compressor clutch activates 3 times.
6. Left compressor unloader activates 3 times.
7. Right compressor unloader activates 3 times. *[5 seconds delay]*
8. Radiator fan clutch is disengaged (fan can be turned freely by hand). *[3 seconds delay]*
9. Fan clutch engages in speed 1 (fan can be turned by hand but with a certain resistance). *[3 seconds delay]*
10. Fan clutch engages in speed 2 (cannot be turned but hand). *[10 seconds delay]*

*5 beeps from the back-up alarm indicate to go to the evaporator compartment.*

**In the evaporator compartment:**

11. Evaporator fan motor runs at speed 1 for 3 seconds then runs at speed 2 for 2 seconds.
12. Hot water pump starts running for 5 seconds and hot water pneumatic valve cycles 3 times. *[20 seconds delay]*

*5 beeps from the back-up alarm indicate to go to the spare wheel compartment behind the reclining bumper.*

**Inside the spare wheel compartment:**

13. Driver's unit refrigerant solenoid valve activates 3 times.
14. Driver's unit hot water pneumatic valve cycles 3 times.
15. Closing of the fresh air dampers.

**This ends the test. Activate the dashboard Telltale Light Test switch one time to leave the motor test mode.**

**4.5.3 Test Sequence – VIP With Small HVAC System**

1. Driver's unit fresh air damper opening. *[20 seconds delay]*

*Then 5 beeps can be heard from the back-up alarm to indicate to go to the engine compartment and main power compartment.*

**In the engine compartment, the sequence is as follows:**

2. The main power compartment door fan starts running for 3 seconds (will not run if door is open). *[10 seconds delay]*
3. A/C compressor clutch activated 3 times. *[5 seconds delay]*
4. Radiator fan clutch is disengaged (fan can be turned freely by hand). *[3 seconds delay]*
5. Fan clutch engages in speed 1 (fan can be turned by hand but with a certain resistance). *[3 seconds delay]*
6. Fan clutch engages in speed 2 (cannot be turned but hand). *[10 seconds delay]*

*5 beeps from the back-up alarm indicate to go to the spare wheel compartment behind the reclining bumper.*

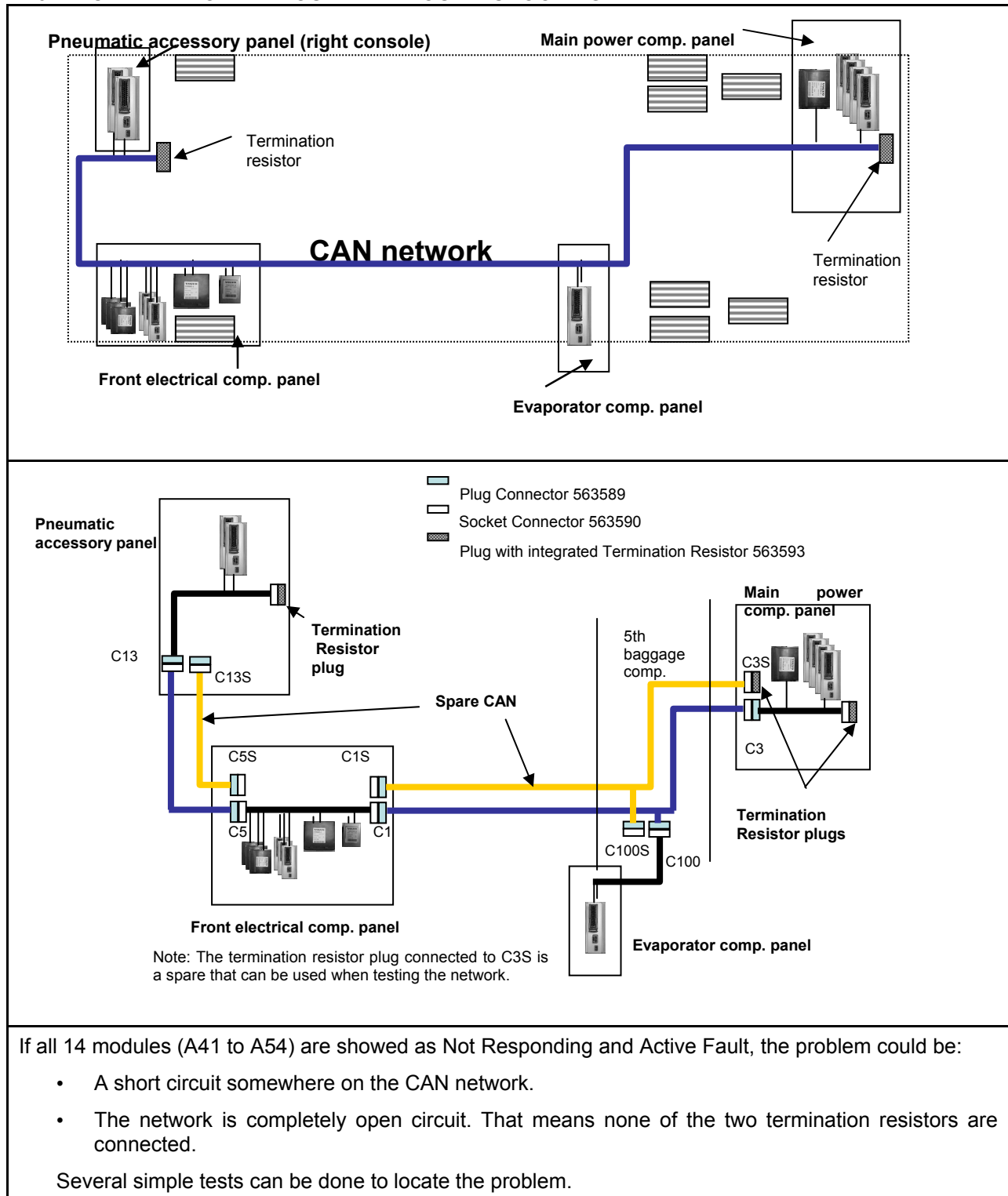
**Inside the spare wheel compartment:**

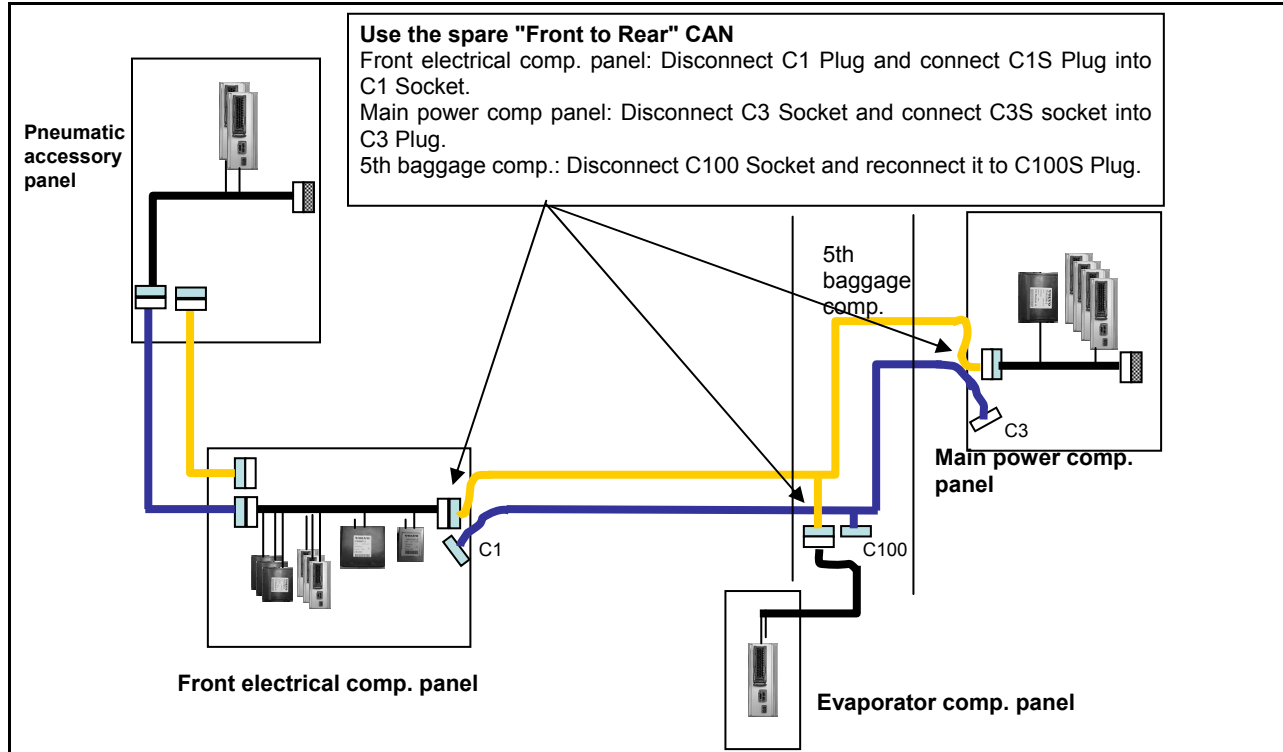
7. Auxiliary unit refrigerant solenoid valve activates 3 times. *[10 seconds delay]*
8. Hot water pump starts running for 5 seconds.
9. Driver's unit refrigerant solenoid valve activates 3 times.
10. Driver's unit hot water pneumatic valve cycles 3 times.
11. Closing of the fresh air dampers.

**This ends the test. Activate the dashboard Telltale Light Test switch one time to leave the motor test mode.**

## Section 06: ELECTRICAL

### 4.6 CAN NETWORK LAYOUT AND TROUBLESHOOTING





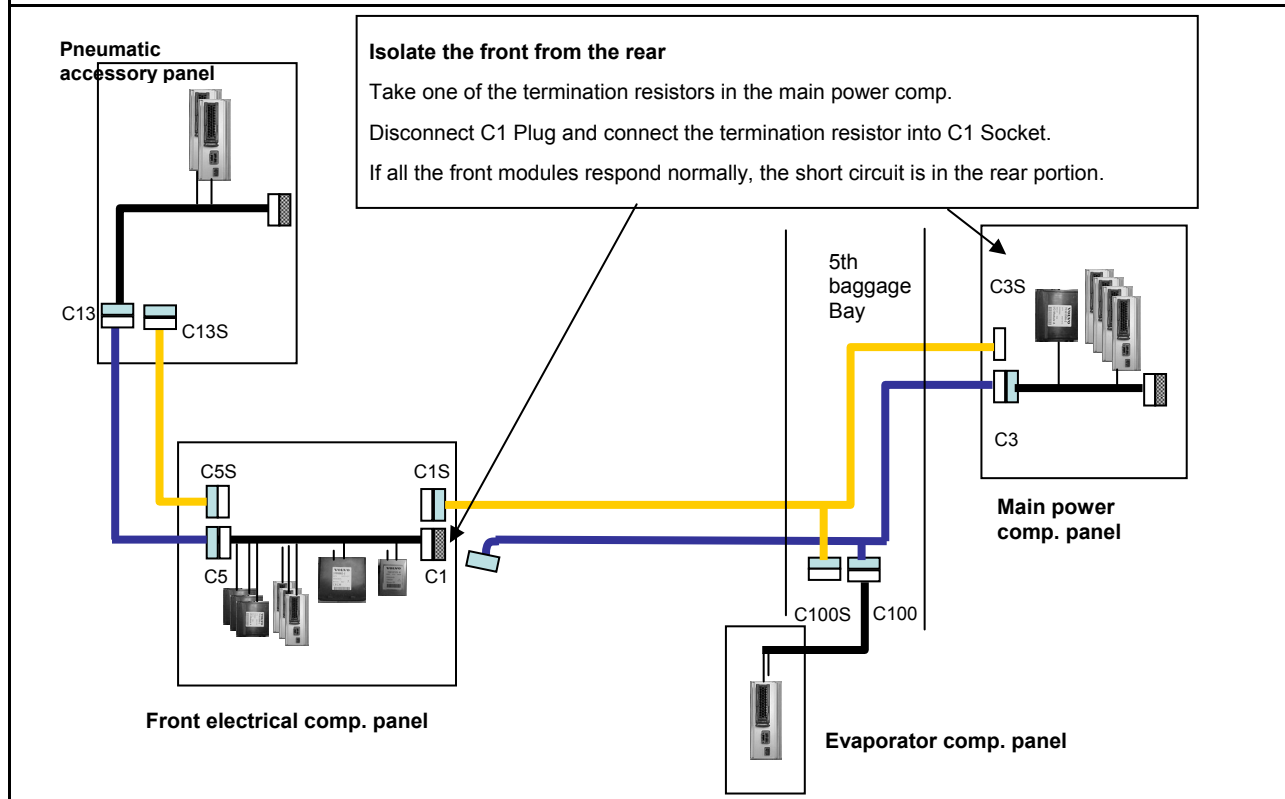
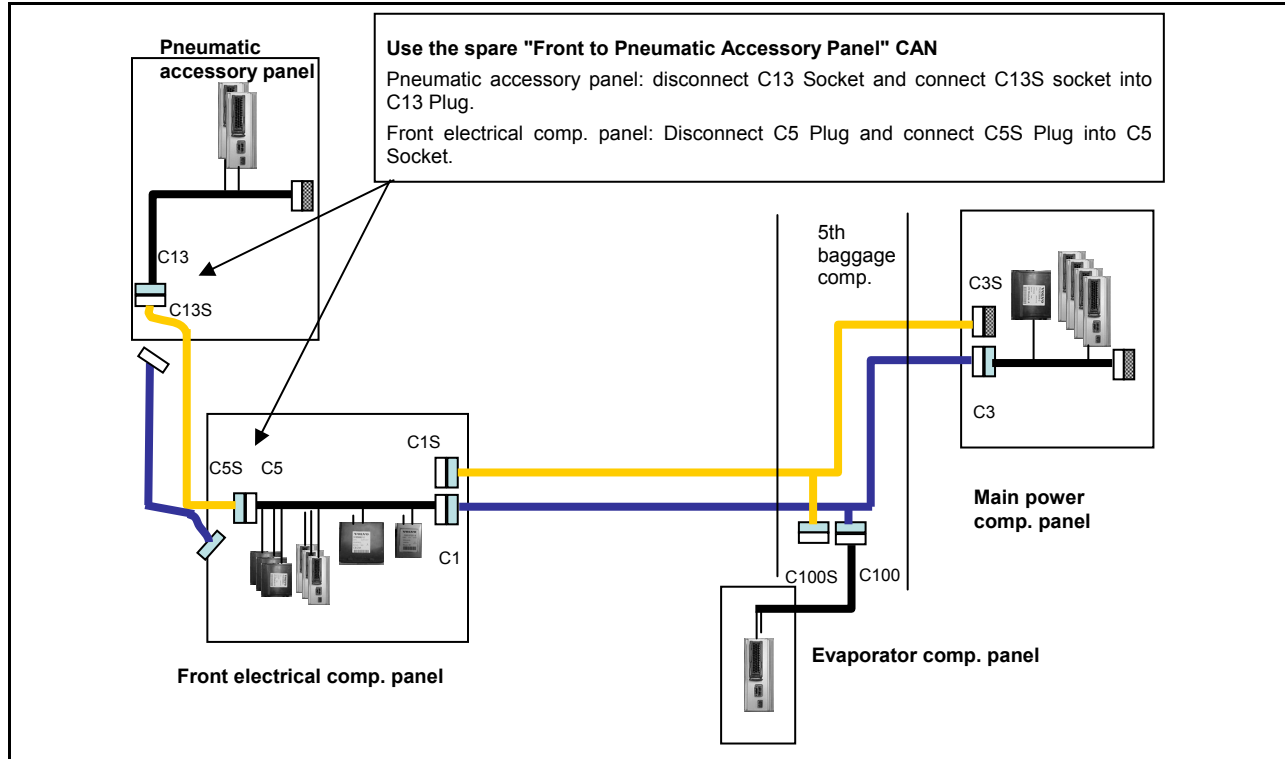
All modules including Wake-up modules and CECM have to be powered OFF prior to probe the CAN lines with an ohmmeter.

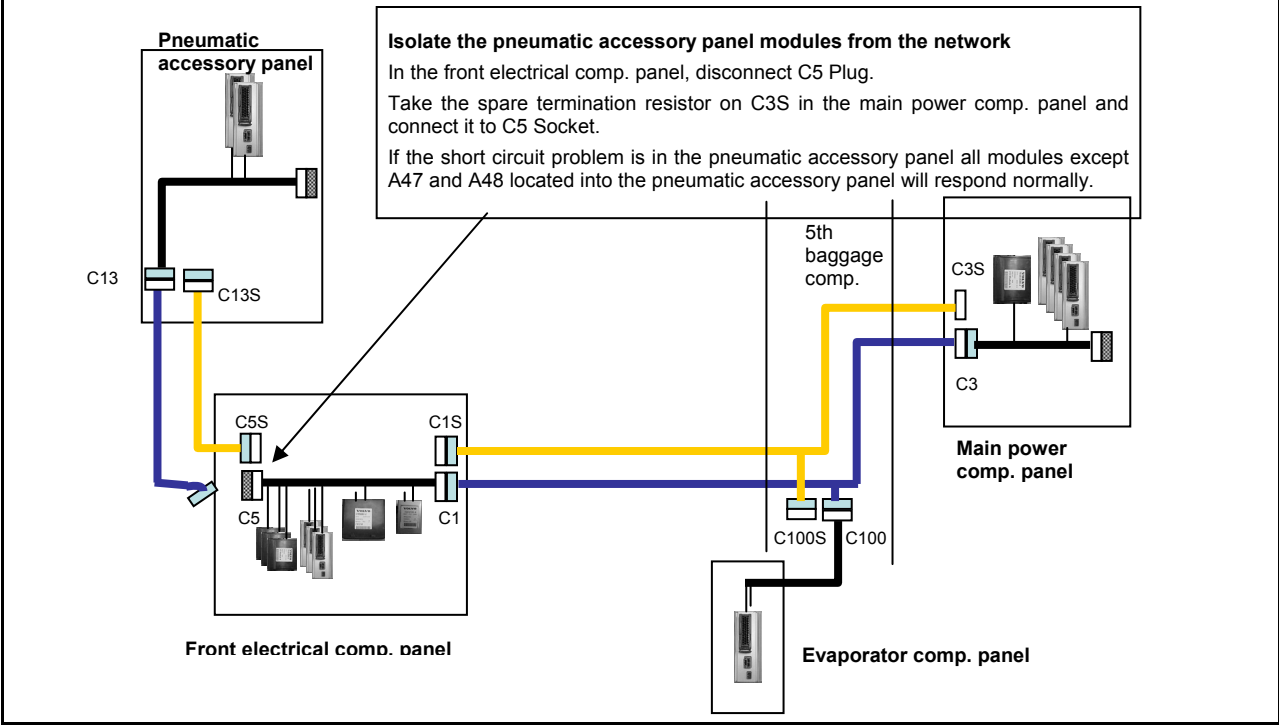
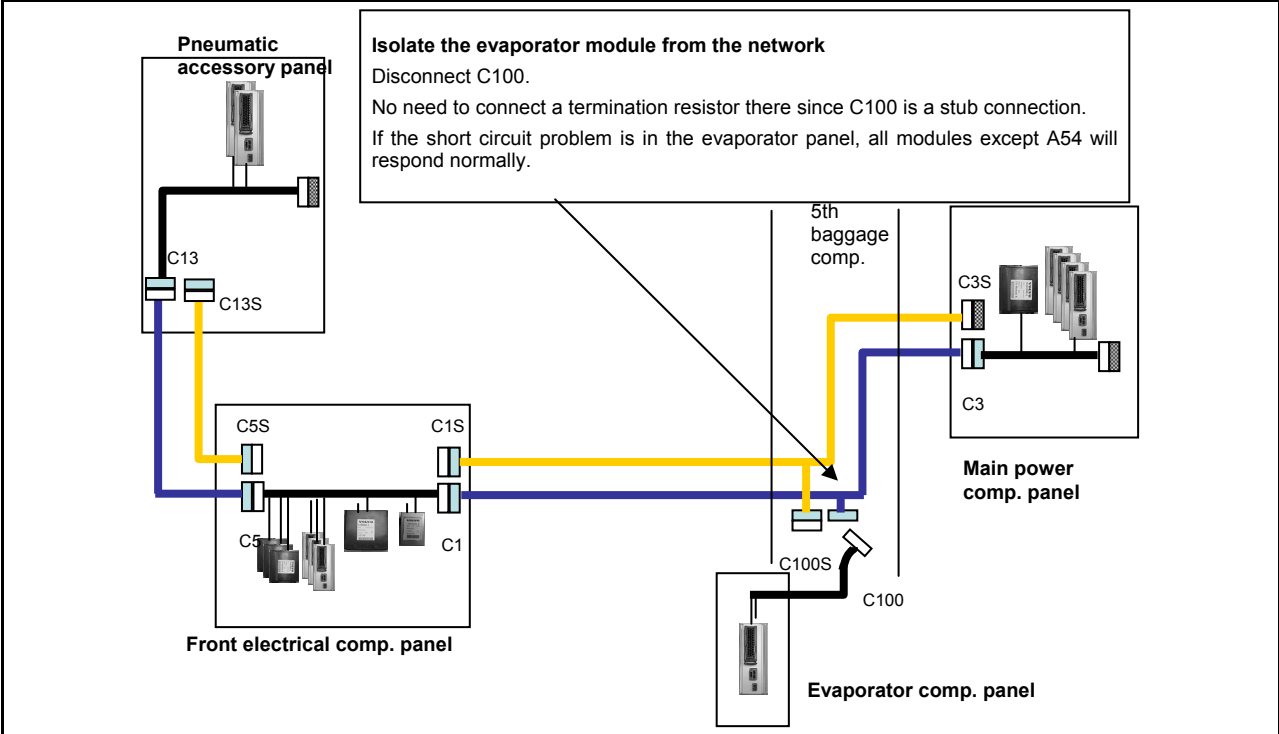
Probing the resistance between the CAN-H and CAN-L wire is a useful method to localise short circuits or open circuit on the CAN network. However, when doing so, make sure none of the modules connected to the CAN line are powered, including wake-up powered modules and battery direct supply module (CECM). Otherwise the measured value is invalid and will always show OL (Open Load). This is because the modules are applying a voltage on the CAN lines and this is fooling the ohmmeter.

**Proceed as follow when probing the CAN line with an ohmmeter in order to get a valid reading:**

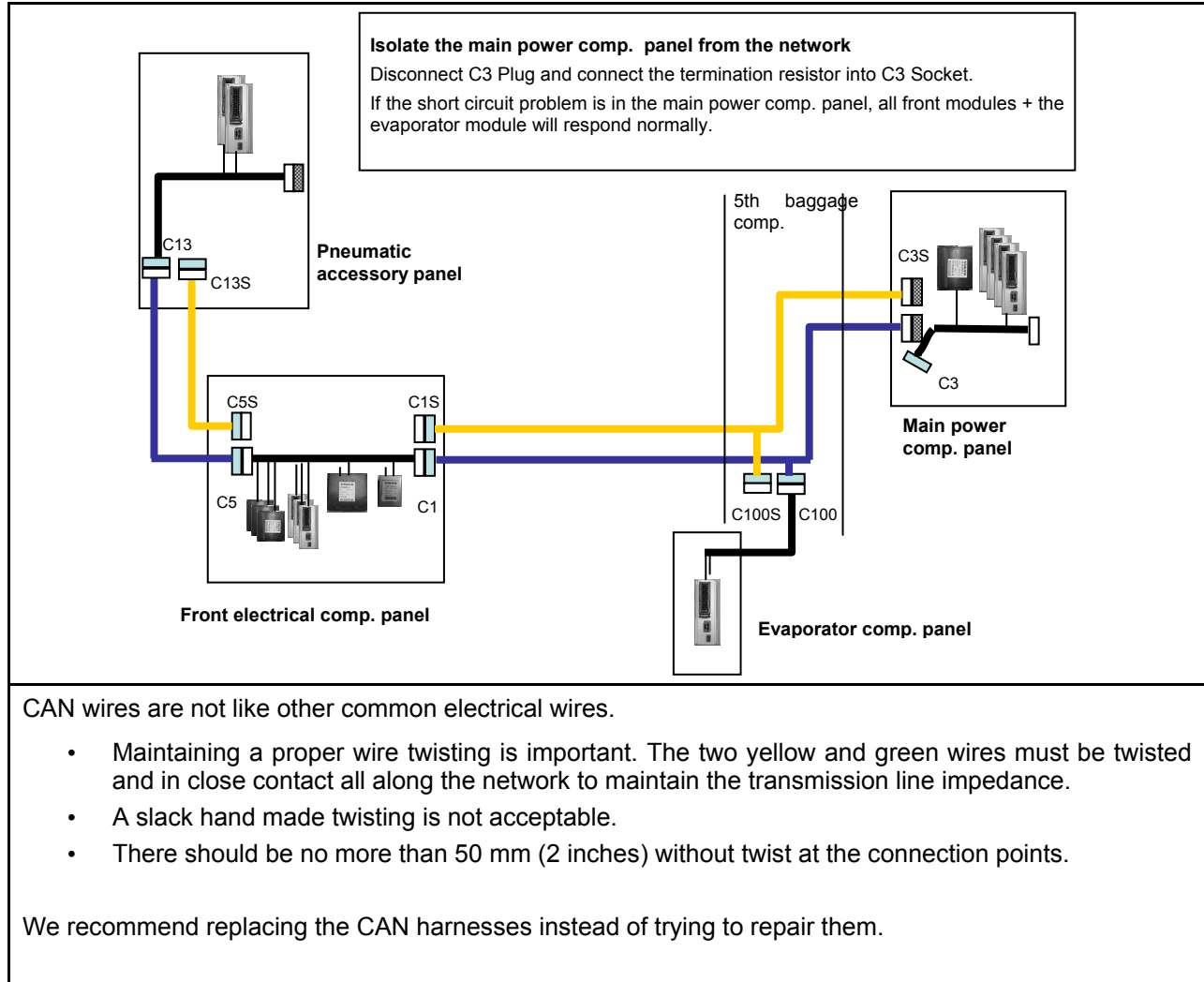
- Turn ignition key to the OFF position.
- Set the battery master switch to the OFF position to turn all Wake-up modules power to OFF.
- Trip circuit breakers CB2, CB4 and CB6 to remove direct battery power from the CECM.

**Section 06: ELECTRICAL**





## Section 06: ELECTRICAL





## 4.7 ROADSIDE TROUBLESHOOTING

Problem/Symptom	Probable Causes	Actions
Vehicle does not Start	<p>Rear Start selector switch is not at the NORMAL position</p> <p>Battery master switch in the battery compartment is at the OFF position (down)</p> <hr/> <p>CAN network problem (Multiplex)</p> <p>Module A53 not powered or is defective</p> <p>Engine MCM does not receive the ignition signal</p> <p>Engine MCM is not powered</p>	<ol style="list-style-type: none"> <li>1. Check that the rear start selector switch is flipped up to NORMAL start position and battery master switch is flipped up to ON and retry cranking</li> <li>2. Flip the rear start selector switch to "Rear Start" and start the vehicle from the rear</li> </ol> <hr/> <p>If the vehicle does not start from the rear:</p> <ol style="list-style-type: none"> <li>1. Verify that module A53 is powered: <ol style="list-style-type: none"> <li>a) Check the SYSTEM DIAGNOSTIC menu of the message center display (MCD). Select FAULT DIAGNOSTIC and ELECTRICAL SYSTEM. The message "No Response ModA53, Active" indicates a power problem on the module or a CAN network problem.</li> <li>b) Check / reset circuit breaker CB5</li> <li>c) Check / replace fuse F65</li> <li>d) Probe gray connector on module to see if it is powered.</li> </ol> </li> <li>2. Verify that the engine MCM is powered and get the ignition signal <ol style="list-style-type: none"> <li>a) Check / reset circuit breaker CB8 Check / replace fuse F74</li> <li>b) Check / reset circuit breaker CB2 Check / replace fuse F78</li> </ol> </li> </ol>
<p>None of the Multiplexed functions are operating, including the basic limp-home functions (door opening, flashers, wipers in speed 1)</p> <p>Three dashes "---" appear in the telltale panel instead of the outside temperature</p> <p><i>Note: The sunshades are still functioning since these are not multiplexed</i></p>	<p>The program version in the CECM is different than the program in the I/O modules and the CECM is forcing all I/O modules to stay inactive</p>	<ol style="list-style-type: none"> <li>1. Engage the auto-programming of the I/O modules: Turn the ignition key to the OFF position, flip the battery master switch in the battery compartment to OFF and ON and then turn the ignition key ON. The letters CAN will appear in the telltale LCD panel for about 3 minutes Everything shall get back to normal once the letters CAN are replaced with outside temperature display</li> <li>2. Try disconnecting the green connector on the CECM and reconnect</li> <li>3. If step 1 and 2 are ineffective, try disconnecting the Master ID module completely and repeat step 1</li> <li>4. Try disconnecting the CECM completely, leave it disconnected and</li> </ol>

## Section 06: ELECTRICAL

Problem/Symptom	Probable Causes	Actions
		see if the limp-home functions (start of the vehicle from the engine compartment, wipers speed 1, flashers, etc ) are functioning
<p>Many secondary functions (not essential for driving) not functioning (interior lighting, driver's area lighting, wiper speed 2 and intermittent)</p> <p>Outside temperature display in the telltale LCD panel displays three dashes "---"</p> <p>Marker lights and clearance lights are turned ON when setting ignition to the ON position</p>	<p>The CECM module does not receive 24 V power</p> <p>The CAN network is not working. It could be caused by a short on the network, an open circuit, a problem with the CECM or the CECM being disconnected from the network</p>	<ol style="list-style-type: none"> <li>1. Check / reset circuit breaker CB6 (4<sup>th</sup> from the top on the right side column) Check / replace fuse F1</li> <li>2. Operate in limp-home mode by starting the vehicle from the engine compartment (REAR START). All functions essential to drive are available</li> </ol> <p>To close and lock the door, pull the door manually up to its closed position and it will lock by itself. The door opening button is still functioning</p>
<p>No temperature control in the passenger area</p> <p>Passenger temperature display indicates two dashes "--"</p>	<p>Problem with the temperature sensor located in the evaporator compartment air intake or the sensor wiring</p>	<ol style="list-style-type: none"> <li>1. Instruct the driver to manually control the temperature by playing with the passenger set point. Set above 22°C (72°F) to heat and below 22° C (72°F) to cool</li> </ol>
<p>Entrance door does not open nor close using the control buttons</p> <p>Defroster fan not functioning</p> <p>Lower windshield wipers not functioning in speed 1 or intermittent</p>	<p>Module A47 is not powered or is faulty</p>	<ol style="list-style-type: none"> <li>1. Check the SYSTEM DIAGNOSTIC menu of the message center display (MCD). Select FAULT DIAGNOSTIC and ELECTRICAL SYSTEM. The message "No Response ModA47, Active" indicates a power problem on the module. (A CAN network problem would show the same message but doesn't produce these symptoms).</li> <li>2. Check / reset circuit breaker CB6</li> <li>3. Check / replace fuse F5</li> <li>4. Probe gray connector on module to see if it is powered.</li> <li>5. Use the air release valves near the entrance door and in the front service compartment to lock / unlock the door</li> </ol>
<p>Lower windshield wipers not functioning in speed 1 or intermittent</p>	<p>No power on R23</p>	<ol style="list-style-type: none"> <li>1. Check / replace fuse F82</li> </ol>
<p>HVAC condenser fans not functioning in speed 1</p>	<p>Circuit breaker CB12 was manually tripped and not reset</p>	<ol style="list-style-type: none"> <li>1. Check / reset circuit breaker CB12</li> </ol>

Problem/Symptom	Probable Causes	Actions
HVAC condenser fans not functioning in speed 2	Circuit breaker CB7 was manually tripped and not reset	1. Check / reset circuit breaker CB7
Lower and upper windshield washer not functioning  Upper windshield wiper not functioning  Defroster fan is functioning but no heat or cooling available in the driver area	Module A46 is not powered or is faulty	1. Check the SYSTEM DIAGNOSTIC menu of the message center display (MCD). Select FAULT DIAGNOSTIC and ELECTRICAL SYSTEM. The message "No Response ModA46, Active" indicates a power problem on the module. (A CAN network problem would show the same message but doesn't produce these symptoms).  2. Check / reset circuit breaker CB1  3. Check / replace fuse F12  4. Probe gray connector on module to see if it is powered.
Low beam headlights and front flasher on left side not functioning  Electric horn not functioning	Module A45 is not powered or is faulty	1. Check the SYSTEM DIAGNOSTIC menu of the message center display (MCD). Select FAULT DIAGNOSTIC and ELECTRICAL SYSTEM. The message "No Response ModA45, Active" indicates a power problem on the module. (A CAN network problem would show the same message but doesn't produce these symptoms).  2. Check / reset circuit breaker CB2  3. Check / replace fuse F33 and F34  4. Probe gray connector on module to see if it is powered.
Low beam headlights and flasher on right side not functioning	Module A48 is not powered or is faulty	1. Check the SYSTEM DIAGNOSTIC menu of the message center display (MCD). Select FAULT DIAGNOSTIC and ELECTRICAL SYSTEM. The message "No Response ModA48, Active" indicates a power problem on the module. (A CAN network problem would show the same message but doesn't produce this symptom).  2. Check / reset circuit breaker CB2  3. Check / replace fuse F33 and F34  4. Probe gray connector on module to see if it is powered.
Rear flashers not functioning  Stoplights and high-mounted stoplight not functioning	Module A51 is not powered or is faulty	1. Check the SYSTEM DIAGNOSTIC menu of the message center display (MCD). Select FAULT DIAGNOSTIC and ELECTRICAL SYSTEM. The message "No Response ModA51, Active" indicates a power problem on

**Section 06: ELECTRICAL**

Problem/Symptom	Probable Causes	Actions
functioning		<p>the module. (A CAN network problem would show the same message but doesn't produce this symptom).</p> <ol style="list-style-type: none"> <li>2. Check / reset circuit breaker CB2</li> <li>3. Check / replace fuse F80</li> <li>4. Probe gray connector on module to see if it is powered.</li> </ol>
<p>Engine is overheating and radiator fan clutch does not engage</p> <p>The A/C compressor clutch does not engage</p>	Module A52 is not powered or is faulty	<ol style="list-style-type: none"> <li>1. Check the SYSTEM DIAGNOSTIC menu of the message center display (MCD). Select FAULT DIAGNOSTIC and ELECTRICAL SYSTEM. The message "No Response ModA52, Active" indicates a power problem on the module. (A CAN network problem would show the same message but doesn't produce this symptom).</li> <li>2. Check / reset circuit breaker CB5</li> <li>3. Check / replace fuse F65</li> <li>4. Probe gray connector on module to see if it is powered.</li> </ol>
Evaporator fan not functioning	<p>Circuit breaker CB3 tripped</p> <p>Module A54 is not powered or is faulty</p>	<ol style="list-style-type: none"> <li>1. Check / reset circuit breaker CB3</li> <li>2. Check the SYSTEM DIAGNOSTIC menu of the message center display (MCD). Select FAULT DIAGNOSTIC and ELECTRICAL SYSTEM. The message "No Response ModA54, Active" indicates a power problem on the module. (A CAN network problem would show the same message but doesn't produce this symptom).</li> <li>3. Check / reset circuit breaker CB5</li> <li>4. Check / replace fuse F67 , F68</li> <li>5. Probe gray connector on module to see if it is powered.</li> </ol>
HVAC condenser fans not functioning in speed 1	Module A54 is not powered or is faulty	<ol style="list-style-type: none"> <li>1. Check the SYSTEM DIAGNOSTIC menu of the message center display (MCD). Select FAULT DIAGNOSTIC and ELECTRICAL SYSTEM. The message "No Response ModA54, Active" indicates a power problem on the module. (A CAN network problem would show the same message but doesn't produce this symptom).</li> <li>2. Check / reset circuit breaker CB5</li> <li>3. Check / replace fuse F67 , F68</li> <li>4. Probe gray connector on module to see if it is powered.</li> </ol>

Problem/Symptom	Probable Causes	Actions
Sound system not functioning	Circuit breaker CB4 or CB11 was manually tripped and not reset	1. Check / reset circuit breaker CB4 or CB11
Fire alarm telltale light and audible alarm always ON and there is no fire or high temperature in the engine compartment	Short-circuited fire sensor or defective sensor	1. Prior to start the vehicle, cycle the ignition key to the ON position, OFF position and then ON position again and then start the vehicle. This will deactivate the fire alarm function. This has to be repeated each time the vehicle is re-started
The vehicle is parked and the electrical horn is activated to indicate a fire in the engine compartment but there is no fire	Short-circuited fire sensor or defective sensor	1. Cycle the ignition key between the ON and OFF position twice within 3 seconds. This will deactivate the fire alarm function. This has to be repeated each time the vehicle is parked
A single light, a group of LED lights or another function of the vehicle is not functioning	The multiplex outputs are protected in current by an internal "soft-fuse". When an output is shorted, it turns OFF and stays OFF until the "soft-fuse" is reset	1. Turn the ignition key to the OFF position and turn to the ON position again. This resets all "soft-fuses"
No backlighting in the instrument cluster	Circuit breaker CB10 is tripped or fuse F20 blown	Check / reset circuit breaker CB10 Check / replace fuse F20
The radiator fan clutch does not function and the engine is overheating		<ol style="list-style-type: none"> <li>1. Set the ignition key to the ON position.</li> <li>2. Activate the dashboard Telltale Light Test switch 3 times within 4 seconds.</li> <li>3. In the engine compartment, set the starter selector switch to REAR START and then start the engine from the rear.</li> </ol> <p>While in this mode, the rear start push-button can be used to manually engage the fan clutch. The Multiplex system knows when the engine is already running, and it will not activate the starter.</p> <ol style="list-style-type: none"> <li>4. Press the push-button one time to engage the clutch to 1<sup>st</sup> speed, press a second time to engage to 2<sup>nd</sup> speed, press a third time to stop the fan, press once again to return to 1<sup>st</sup> speed.</li> </ol> <p>If the fan clutch does not engage using this procedure then the clutch is faulty or the wiring between the multiplex module and the clutch is faulty. Mechanically lock the fan clutch as described in section 05: COOLING SYSTEM of the maintenance</p>

## Section 06: ELECTRICAL

Problem/Symptom	Probable Causes	Actions
		manual.

### 4.8 ESSENTIAL FUNCTIONS TO OPERATE THE VEHICLE

Even with a defective CECM (Chassis Electronic Control Module) or a CAN network problem, essential base functions are maintained to rear start the vehicle from the engine compartment and drive in a secure manner.

However, many secondary functions are lost. In this case, the following directives must be followed.

- Never connect a battery charger when the ignition is at the ON position on a vehicle with a CAN defective or certain functions will start up by themselves,
- Disconnect the charger before starting the vehicle, if not the default functions will not activate,
- If the default mode does not activate, try to turn the ignition OFF while ensuring that no charger is connected and then restart the vehicle.

#### 4.8.1 Available Functions

- Startup: Turn on the ignition in the driver's area and rear start the vehicle from the engine compartment,
- Opening the door: Functions normally,
- Closing the door: Manually pull on the door and it will lock automatically,
- Windshield wipers: Wipers functions at 1st speed only,
- Windshield washer fluid: Lower windshield washer only,
- Headlights: Low beams only,
- Directional signals: Rear and front only,
- Stoplights: 2 upper stoplights + high-mounted stoplight are functional,
- HVAC: Functional with set point fixed at 70°F (22°C), evaporator and condenser fixed at speed 1, defroster fixed at speed 4.

### 4.9 LOWER PRIORITY MODULES FOR BREAKDOWN SERVICE

Modules A43 (IO-A) and A44 (IO-B) affect lower priority functions. These modules can therefore be used as spare parts for breakdown service while on the road.

Functions lost if A43 is removed and used as spare part:

- High beams,
- Ability to turn on the parking lights only,
- « Watch your step » sign,
- Driver's area lighting,
- Tag axle activation,
- Courtesy lights.

Functions lost if A44 is removed and used as spare part:

- Fresh air damper mix trap control,
- Driver's area and entrance overhead light,
- Front clearance lights.

### 4.10 MULTIPLEX MODULES

#### 4.10.1 CECM

The CECM plays the role of interface between the engine MCM, the transmission TCM, the telltale panel module and other IO-A, IO-B modules. When a multiplex module is being replaced, the CECM will inform the new module of its role and function accordingly to the vehicle options.

#### 4.10.2 MASTER ID

The Master ID works in conjunction with the CECM. It keeps the specific back-up program of the vehicle. So, a specific Master ID cannot be removed from a vehicle and installed on another vehicle.

#### 4.10.3 IO-A

IO-A modules receive inputs and control outputs. IO-A's are used for all outputs of 1 amp or less.

## 4.10.4 IO-B

IO-B modules receive inputs and control outputs. IO-B's are used for outputs up to 30 amps.

## 4.11 MULTIPLEX MODULES REPLACEMENT

IO-A, IO-B and CECM multiplex modules can be replaced and reprogrammed without having to connect a computer to the vehicle.

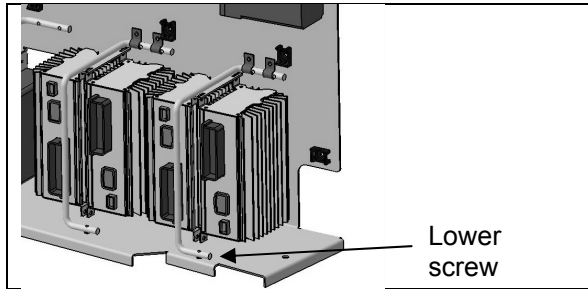


FIGURE 16: IO-B MODULE REMOVAL

## 4.11.1 Replacing IO-A Or IO-B Modules

- Set the ignition key to the ON position and leave it in that position at all time while performing this procedure.
- Inside main power compartment, trip circuit breaker CB6.
- Replace the module (for IO-B modules, disconnect the green connector first, then the grey one and finish with the black connector. To disconnect the black connector, slide downwards the red latch. Remove the lower screw that holds the cable attachment rod onto the floor portion of the panel and flip the rod up, this will relieve the IO-B module, see Fig. 16).
- Reset circuit breaker CB6. This engages the automatic reprogramming.
- The telltale panel LCD display indicates "CAN" until the reprogramming is complete. Once completed, "CAN" disappears and the temperature reappears.
- Check the SYSTEM DIAGNOSTIC menu of the message center display (MCD). Select FAULT DIAGNOSTIC and ELECTRICAL SYSTEM. Verify the fault message to be certain the module is reprogrammed. If the module is not reprogrammed, the message « Axx Not Responding » appears where Axx is the module number (Ex: A41, A42...etc).


## 4.11.2 Replacing The CECM Module

- Set the ignition key to the ON position and leave it in that position at all time while performing this procedure.
- Inside main power compartment, trip circuit breaker CB6.
- Replace the module.
- Reset circuit breaker CB6. This engages the program transfer from the Master ID to the CECM module (the back-up program is inside the Master ID. The Master ID will identify the CECM as being new and will send the correct program to it). The telltale panel LCD display indicates "CAN" during 3 minutes approximately. "CAN" disappears and "---" is displayed alternately with "CAN" (during that sequence, "---" will be displayed up to 6 times and the audible alarm will ring). Wait until "CAN" is replaced by "---" that remains for more than 10 seconds. At this point the MasterID module has finished loading the program in the CECM.
- Go to the main power compartment and trip circuit breaker CB6 once again. Wait 1 second and reset it. This engages I/O's modules automatic reprogramming.
- The telltale panel LCD display indicates "CAN" until the reprogramming is completed. Once completed, "CAN" disappears and the temperature reappears. Check the SYSTEM DIAGNOSTIC menu of the message center display (MCD). Select FAULT DIAGNOSTIC and ELECTRICAL SYSTEM. Check the error messages. All modules appear in error but are not active. If an active error appears for a module, this one was not reprogrammed. In this case, trip CB6 once again. Wait 1 second and reset CB6. Re-verify the error messages when "CAN" disappears from the telltale panel LCD display.
- Do an error reset to remove all errors (requires Password) from non-active modules, leave the SYSTEM DIAGNOSTIC menu and reopen to verify there are no more errors.

## Section 06: ELECTRICAL

### 5. ALTERNATORS

BOSCH T1 24-volt 140 ampere or BOSCH HD10 24-volt 120 ampere, self regulated, belt driven, air-cooled alternators may be used in the 24-volt electrical system. An auxiliary BOSCH 12-volt 200 ampere may be installed also.

 <h3>MAINTENANCE</h3>
<p><b>BOSCH T1 ALTERNATOR ONLY</b></p> <p>Change the brushes and the voltage regulator as per "Repair and Testing Instructions for T1 Alternator 0120 69 552" every 100,000 miles (160 000 fm) or once every two years, whichever comes first.</p> <p>Replace bearings as per "Repair and Testing Instructions for T1 Alternator 0120 69 552" every 200,000 miles (320 000 fm) or once every four years, whichever comes first.</p> <p>Refer to Bosh T1 Alternator Maintenance Manual annexed at the end of this section.</p>

ALTERNATORS ARRANGEMENT	
<b>H3-41, H3-45 COACH</b>	
Whit DDC S60 engine	With Volvo D13 engine
2x Bosch HD10 24V-120Amp	2x Bosch T1 24V-140Amp
<b>VIP 45 with central HVAC system</b>	
2x Bosch T1 24V-140Amp	
2x Bosch T1 24V-140Amp + 1 auxiliary Bosch T1 24V-140Amp	
2x Bosch T1 24V-140Amp + 1 auxiliary Bosch 12V-200Amp	
<b>VIP 45 with small HVAC system</b>	
2x Bosch T1 24V-140Amp	
2x Bosch T1 24V-140Amp + 1 auxiliary Bosch T1 24V-140Amp	

#### 5.1 TWIN BOSCH T1 ALTERNATORS INSTALLATION WITH DDC SERIES 60 ENGINE (VIP MOTORHOMES)

If the alternators needed to be removed, reinstall as follows. Refer to figure 17 up to figure 20 for installation and tightening specifications:

1. Install alternator mounting bracket (1, figure 19) to the gear case. Use the four flanged phosphor alloy bolts on the pulley end of the

bracket and the flanged nuts at the transmission end of the bracket;

2. Bolt the upper alternator to the bracket using the 4 inch bolt at the top (2, fig 19) and two inch bolts at the lower mounting bosses (3 and 4, figure 19). Bolt the other alternator using the 6 inch bolt at the top (2a, fig 19) and two inch bolts at the lower mounting bosses (3a and 4a, figure 19);
3. On the drive shafts of both alternators, install key, pulley, spring washer and nut (5, figure 19);

#### NOTE

*Final tightening of the pulleys can be performed once the belt is installed. This will help keep the pulley from turning when tightening.*

4. Install the snubber bracket (fig. 20) using three flanged bolts. Do not tighten the adjustment bolts on the snubber until after final tightening;
5. Install the A/C compressor belt idler pulley (fig. 20) as shown. A stud inserts into one of the mounting holes of the pulley assembly. Fasten this one using a nut and bolts for the other two.
6. Install alternators belt (6, figure 19).

#### 5.1.1 Alternator Drive Belt

- Removal

1. Insert a 3/4 inch socket drive into the automatic belt tensioner opening (fig. 19).
2. Twist the automatic belt tensioner to slacken belt.
3. Remove belt.

#### NOTE

*Belts specifications may vary. For proper belt selection, always consult your vehicle Coach Final Record.*


- Installation

Installation of the alternator drive belt is the reverse of removal.

#### 5.1.2 Adjustment

Correct belt tension is required to maximize belt life. The automatic belt tensioner maintains proper belt tension, no adjustment is required.



 **MAINTENANCE**

Check for wear and proper tension every 6,250 miles (10 000 km) or twice a year, whichever comes first.

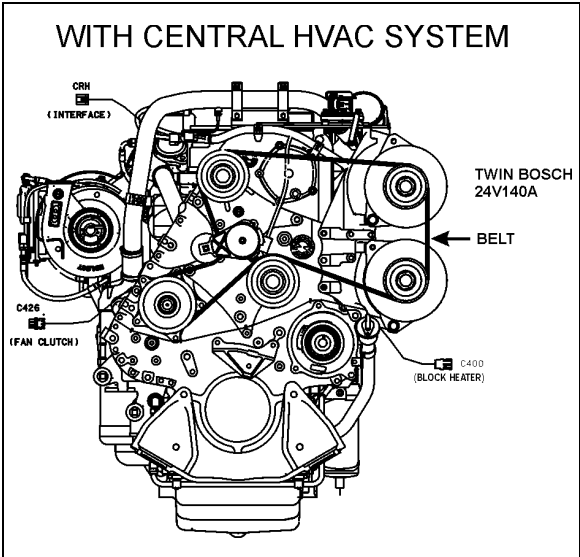


FIGURE 17: ALTERNATOR DRIVE BELT 01180

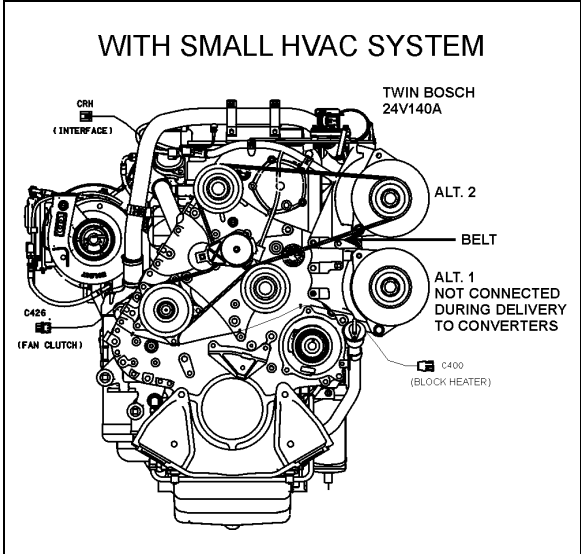


FIGURE 18: ALTERNATOR DRIVE BELT 01181

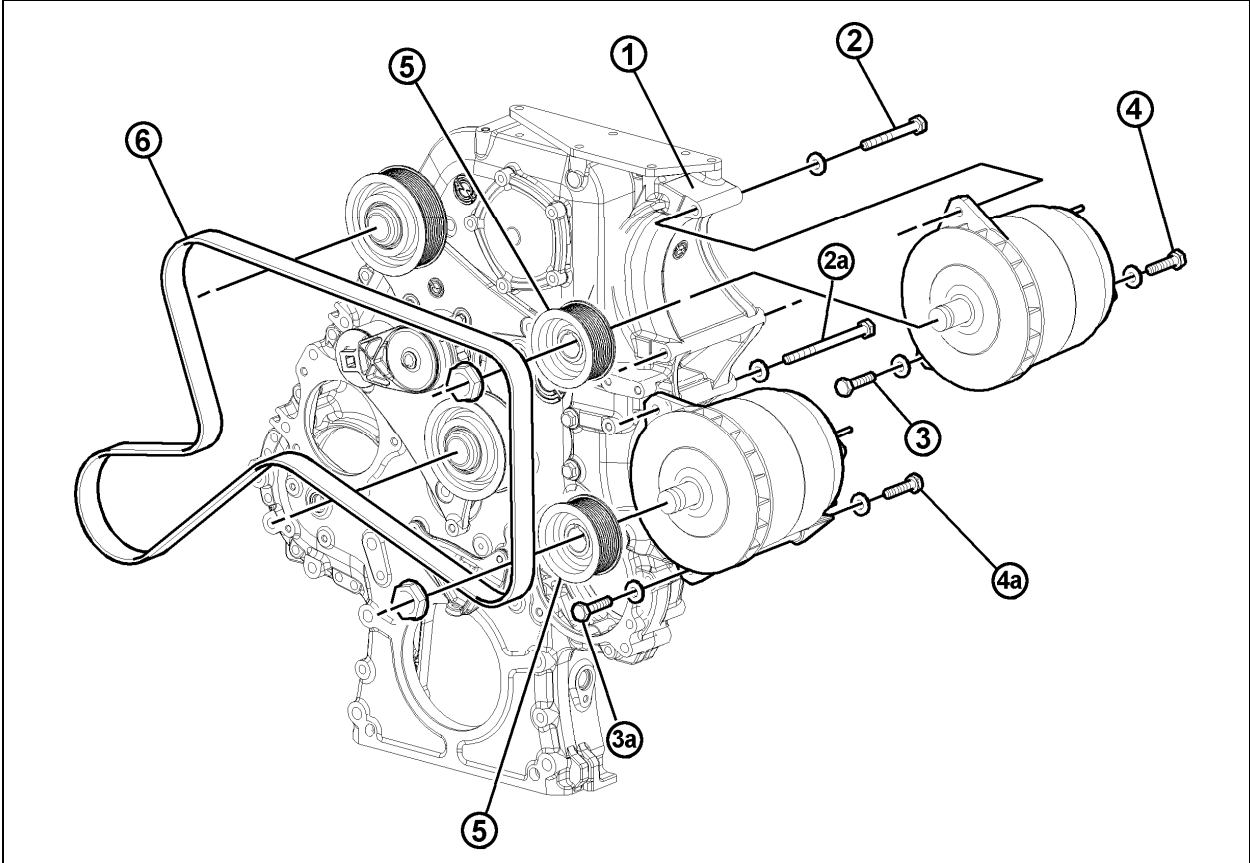


FIGURE 19: TWIN BOSCH ALTERNATORS INSTALLATION WITH DDC SERIES 60 ENGINE (VIP MOTORHOMES) 01077

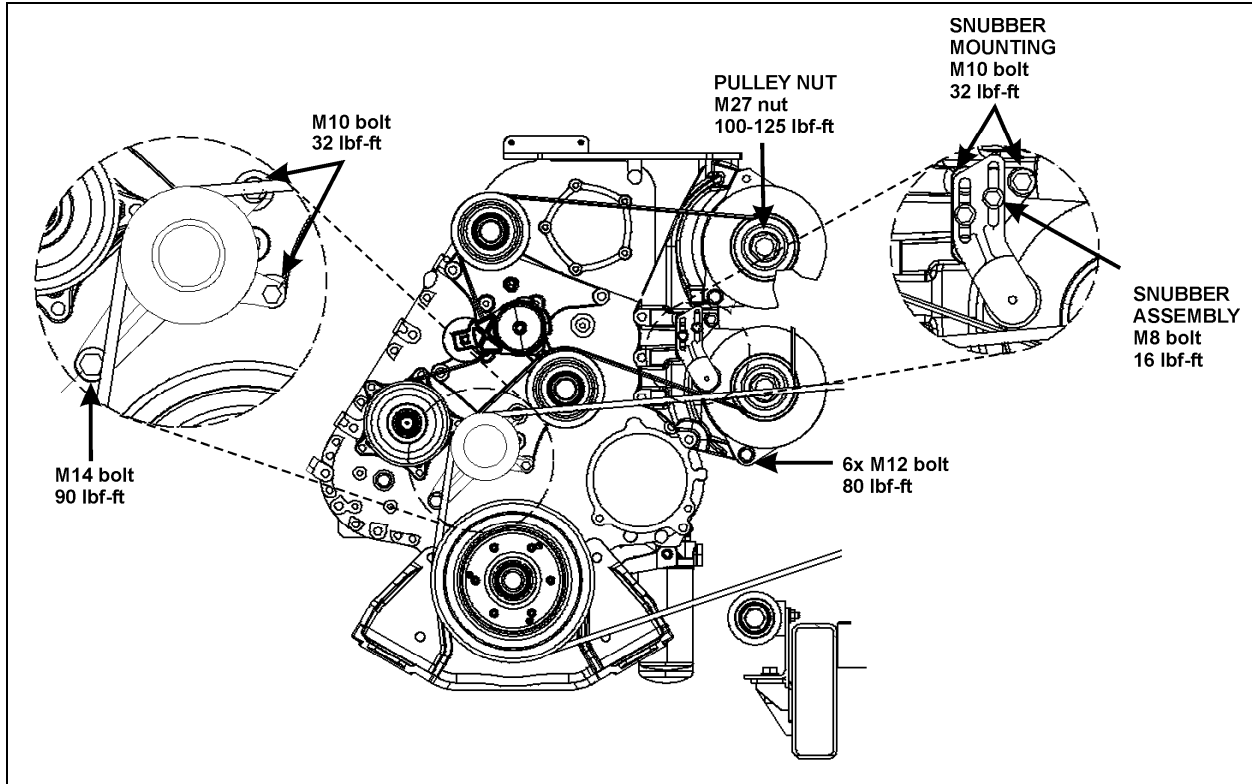


FIGURE 20: ALTERNATORS AND ACCESSORIES MOUNTING TORQUES

01182

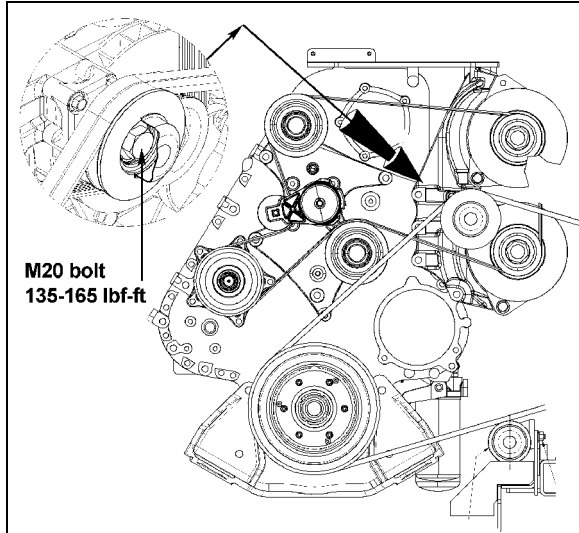


FIGURE 21: ALTERNATORS AND ACCESSORIES MOUNTING TORQUES (VIP WITH SMALL OR CENTRAL HVAC SYSTEM)

01183

**⚠ CAUTION ⚠**

The electrical system is **NEGATIVE GROUNDED**. Connecting the batteries or a battery charger with the positive terminal grounded will endanger the alternator diodes and vehicle wiring by a high current flow. Burned wiring harnesses and burned “open” diodes will result. Always ensure that the alternator and battery polarities are matched prior to installation. **THE ALTERNATOR WILL NOT REVERSE TO ACCEPT INVERSE POLARITY.** Also, do not ground or short across any of the alternator or regulator terminals.

5.2 TWIN BOSCH T1 ALTERNATORS INSTALLATION WITH VOLVO D13 ENGINE

If the alternators needed to be removed, reinstall as follows. Refer to figures 22 and 23 for installation and tightening specifications:

1. If not already done, mount the alternator brace to the engine and alternator support (figure 22).
2. Bolt the alternators to the bracket using one 3.5 inch bolt at the top and two 1¾ inch bolts at the lower mounting bosses (fig. 22).

- 3. On the drive shafts of both alternators, install key, pulley, spring washer and nut;

- 4. Install the alternators belt, the coolant pump belt, the A/C compressor belt and then the radiator fan driving mechanism belt (figure 23).

**NOTE**  
*Final tightening of the pulleys can be performed once the belt is installed. This will help keep the pulley from turning when tightening.*

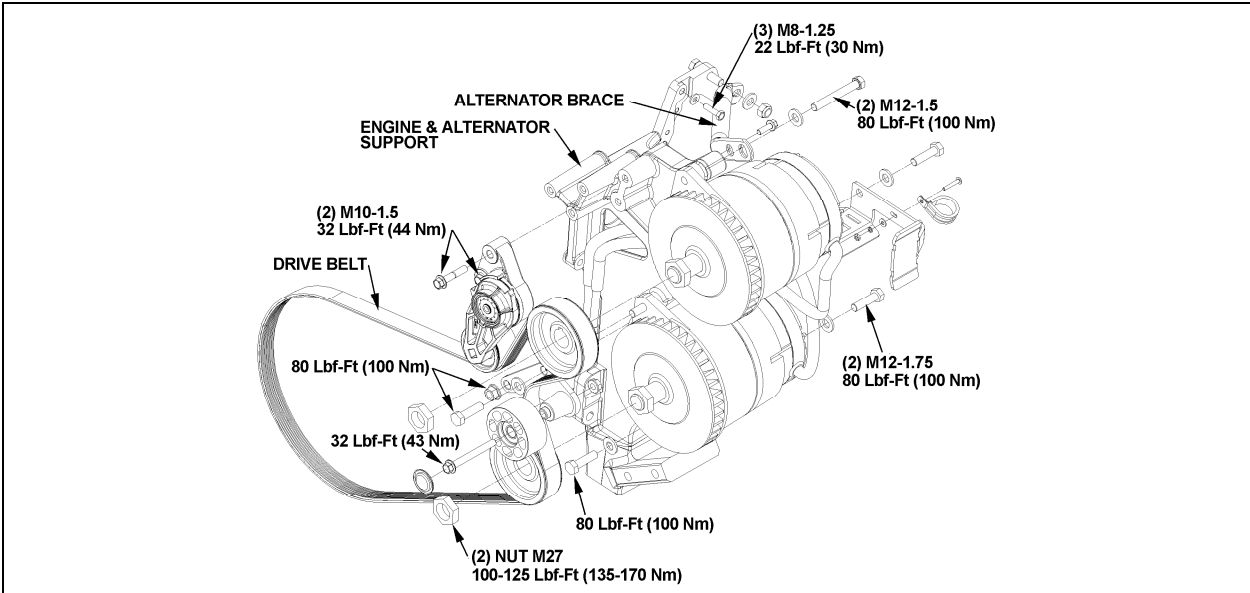


FIGURE 22: BOSCH ALTERNATORS MOUNTING TORQUES (VOLVO D13)

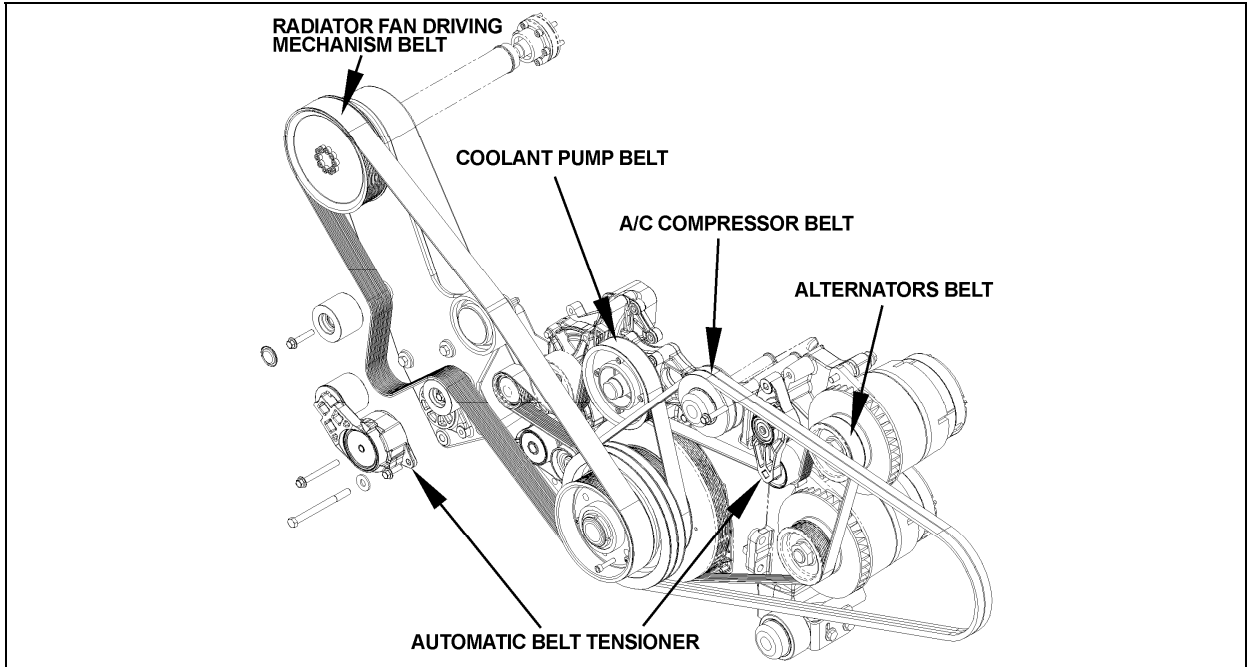


FIGURE 23: TWIN BOSCH ALTERNATORS INSTALLATION (VOLVO D13)

## Section 06: ELECTRICAL

### 5.2.1 Alternator Drive Belt

#### Removal

1. Remove the radiator fan driving mechanism belt, the A/C compressor belt, and then the coolant pump belt.
2. Insert a  $\frac{3}{4}$ " socket drive into the automatic belt tensioner opening (Fig. 22).
3. Twist the tensioning arm to slacken the alternator drive belt.
4. Remove belt.

#### **NOTE**

*Belts specifications may vary. For proper belt selection, always consult your vehicle Coach Final Record.*

#### Installation

Installation of the alternator drive belt is the reverse of removal.

### 5.2.2 Adjustment

Correct belt tension is required to maximize belt life. The tensioning arm maintains proper belt tension, no adjustment is required.



#### **MAINTENANCE**

Check for wear and proper tension every 6,250 miles (10 000 km) or twice a year, whichever comes first.

### 5.3 TWIN BOSCH HD10 ALTERNATORS INSTALLATION WITH DDC SERIES 60 ENGINE (H3 SERIES COACHES)

Two 24 volt 120Amp, self regulated, belt driven, air-cooled HD 10 BOSCH alternators are used in the 24 volt electrical system.

If the alternators needed to be removed, reinstall as follows. Refer to figure 24 and 25 for installation and to figure 26 for tightening specifications:

1. If necessary, reinstall protector (00, figure 25) to the alternator support assembly. Use the stud (0a, figure 19) and bolt (0b, figure 25) to fix the protector. Use some Loctite 262 red (688910) onto the threads.

2. If removed, reinstall ring bracket (1, figure 19) and L-shaped bracket (1.1, figure 25). Fix the ring bracket using bolt (1a, figure 25) and also bolt and nut (1b, figure 19) for the ring bracket and L-shaped bracket. Use some Loctite 262 red (688910) onto the threads.
3. Mount the upper alternator using bolt and nut (2a, figure 25), and also bolt and nut (2b, figure 25).
4. Mount the lower alternator using bolt and nut (3a, figure 25), and also bolt and nut (3b, figure 25). Fix the lower portion of the alternator using nut (3c, figure 25).
5. Mount the cable bracket (4, figure 25) and fix using bolts (4, figure 25).
6. Mount pulleys (5, figure 25) onto alternators.
7. Install alternators belt (6, figure 25).

#### **NOTE**

*Final tightening of the pulleys can be performed once the belt is installed. This will help keep the pulley from turning when tightening.*

### 5.3.1 Alternator Drive Belt

#### Removal

4. Insert a  $\frac{3}{4}$ " socket drive into the automatic belt tensioner opening (Fig. 25).
5. Twist the tensioning arm to slacken belt.
6. Remove belt.

#### **NOTE**


*Belts specifications may vary. For proper belt selection, always consult your vehicle Coach Final Record.*

#### Installation

Installation of the alternator drive belt is the reverse of removal.

### 5.3.2 Adjustment

Correct belt tension is required to maximize belt life. The tensioning arm maintains proper belt tension, no adjustment is required.

 **MAINTENANCE**

Check for wear and proper tension every 6,250 miles (10 000 km) or twice a year, whichever comes first.

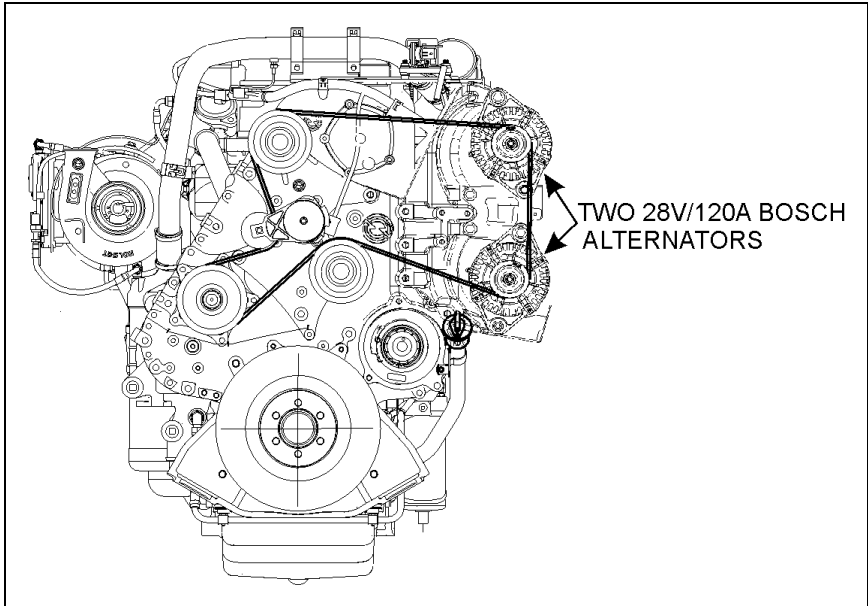


FIGURE 24: TWIN BOSCH HD10 ALTERNATOR

01180

Section 06: ELECTRICAL

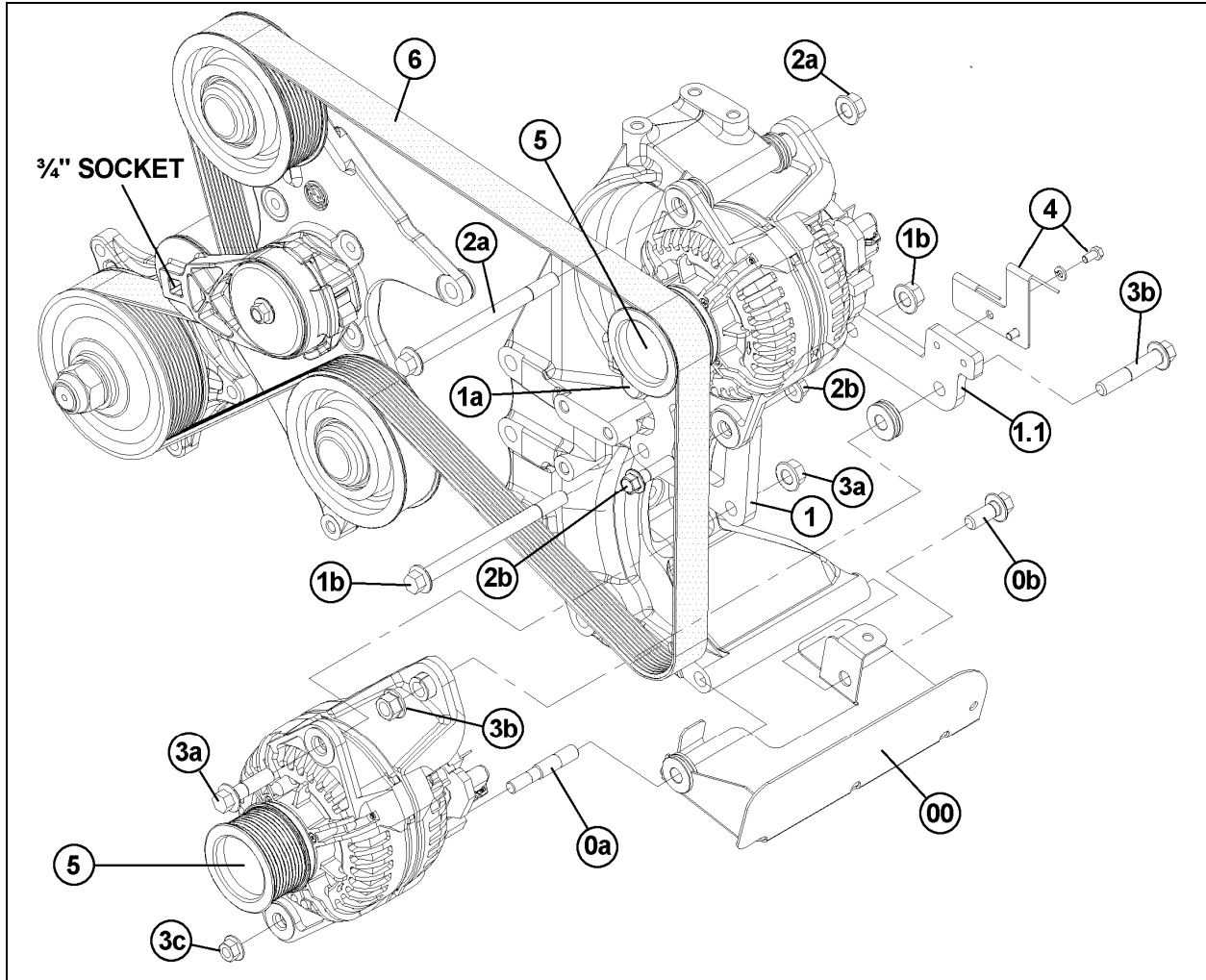


FIGURE 25: TWIN BOSCH HD10 ALTERNATORS INSTALLATION (H3 SERIES COACHES)

01077

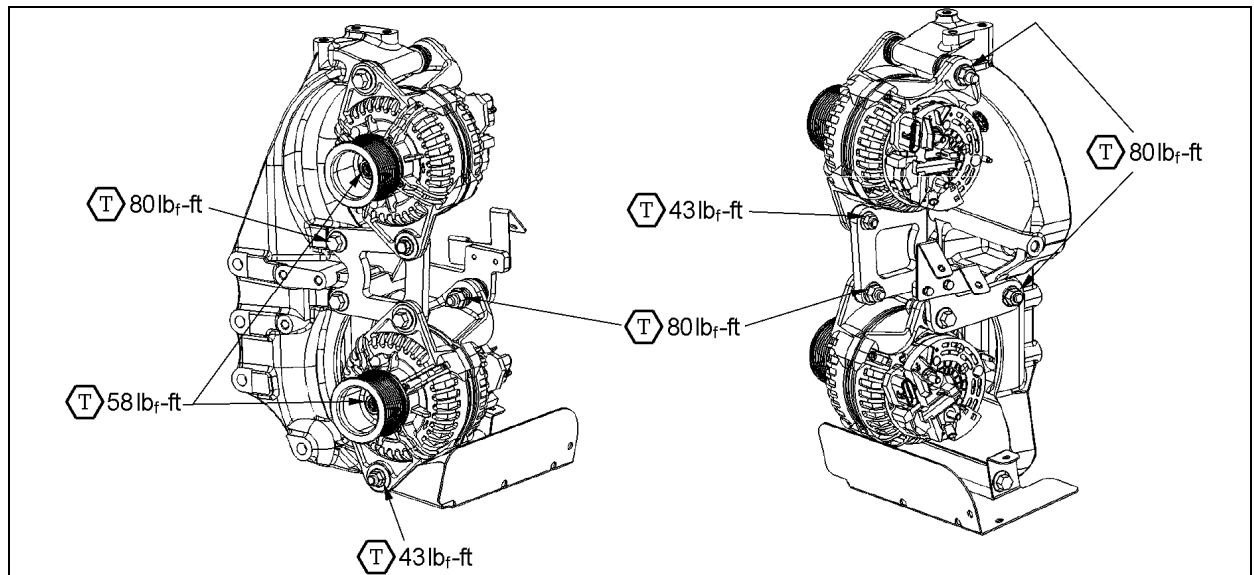


FIGURE 26: TWIN BOSCH HD10 ALTERNATORS AND ACCESSORIES MOUNTING TORQUES (H3 SERIES COACHES)

## 6. ENGINE BLOCK HEATER

The vehicle may be equipped with an engine immersion-type electric block heater to assist cold weather starting. The heater male electric plug is located on the engine compartment door (Fig. 27) or on the engine compartment R.H. side door. To use it, connect the female plug of an electrical extension cord to the heater plug. Some converted vehicles may have the heater connected to the coach AC power system. The extension cord must be plugged into a 110-120 V AC power source only. The engine block heater should be used whenever the vehicle is parked for an extended period of time in cold weather and a suitable power source is available.

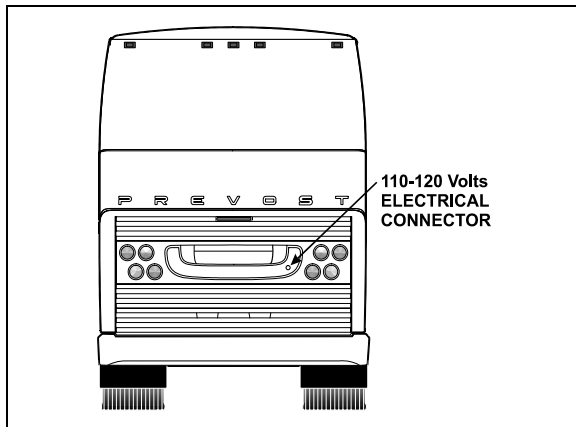


FIGURE 27: ENGINE BLOCK HEATER PLUG LOCATION

06481

### 6.1 MAINTENANCE

This heater is non-serviceable except for the cord, and if faulty, must be replaced as a unit.

## 7. EXTERIOR LIGHTING

The circuit for exterior lights, as well as their control switches, relays and circuit breakers are shown on the applicable wiring diagrams. Wiring diagrams are located in the technical publication box.

### 7.1 HEADLIGHTS

Inner headlights are used for high beam and daytime running light while outer headlights are used for low beam. The inner or outer lamp uses the same single filament halogen bulb part number.

#### NOTE

If vehicle is equipped with optional Xenon headlights, refer to paragraph 6.1.6.

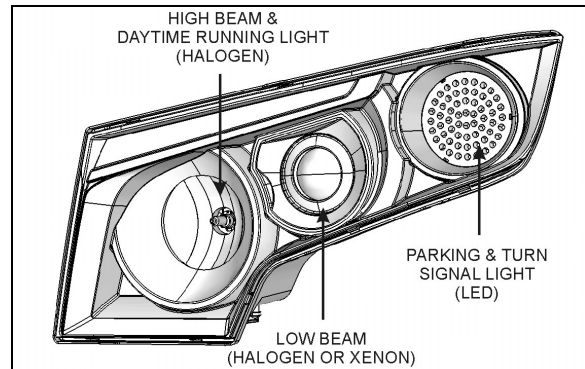


FIGURE 28: HEADLIGHT ASSEMBLY

06713

#### 7.1.1 Headlight Beam Toggle Switch

The multifunction lever located on the steering column is used to select proper lighting. High beams or low beams can be selected by pulling the lever rearward. A high beam indicator on the central dashboard panel is illuminated when the high beam circuit is energized.

#### NOTE

Pulling the lever rearward while the lights are off will flash the headlights.

#### 7.1.2 Maintenance

Clean headlights with soap and water and a good glass cleaner whenever dirty. For maximum illumination, headlight connections must be coated with a dielectric grease to prevent oxidation and proper voltage must be maintained. Low battery voltage, loose or dirty contacts in wiring system and poor ground contribute to a decrease in voltage. Check wiring and connections regularly and keep battery properly charged.

#### 7.1.3 Replacing headlight bulbs

The following illustrations show how to gain access to the bulbs. When replacing a bulb, make sure the ignition switch and light switch are off.

## Section 06: ELECTRICAL



### CAUTION

- To prevent burning yourself, do not replace the light bulbs while they are hot.
- Halogen bulbs have pressurized gas inside and require special handling. They can burst or shatter if scratched or dropped. Hold a bulb only by its plastic case. Do not touch the glass part of a bulb with bare hands.

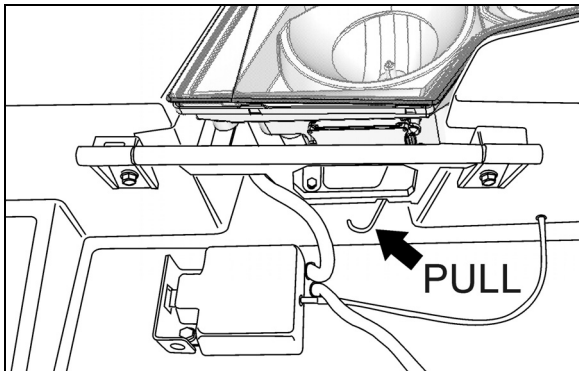


FIGURE 29: ROCKING THE HEADLIGHT ASSEMBLY 06714

1. First, make sure the ignition switch and light switch are off.
2. Pull on the reclining bumper opening handle located inside the front electrical and service compartment.
3. Pull on the rod shown on figure 29 to pivot the headlight assembly.
4. Unscrew the cap to gain access to the bulb connector.

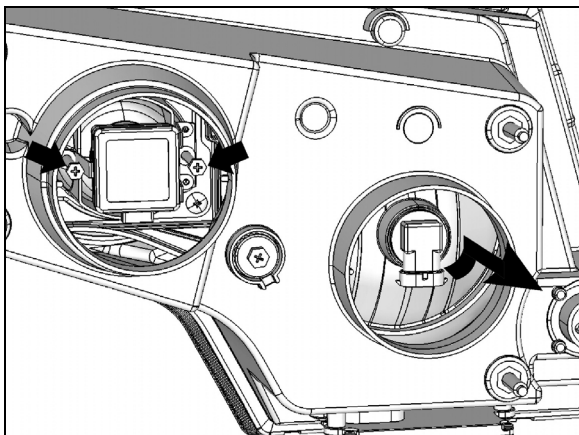


FIGURE 30: HEADLIGHT ASSEMBLY REAR VIEW 06715

5. HALOGEN: turn the bulb base counterclockwise. XENON: Unscrew the

Phillips head screws indicated by arrows, pull the retainer and bulb out (figure 30).



### CAUTION

During this step, avoid contacting the bulb with the fingers not to alter the bulb life.

6. Unplug the connector while depressing the lock release when applicable.
7. Replace bulb, connect to harness and install into mounting hole.

Aiming is not necessary after replacing the bulb. When aiming is necessary, refer to paragraph "HEADLIGHT AIMING".

#### 7.1.4 Replacing Front Turn Signal LED module

The front turn signal is part of the front headlight assembly. The turn signal is a sealed unit (LED) located on each front corner and should be replaced as an assembly. Turn signal is visible from both front and side.

#### Removal and Replacement

1. Rotate the cap to gain access to the LED module.
2. Disconnect the electrical harness connector from the LED module.
3. Unscrew the 3 mounting fasteners and replace LED module.
4. Install wiring connector on back of new turn signal module.

#### 7.1.5 Optional Xenon Headlamp (Low Beam)

The outer lamps of each headlight assembly may be equipped with the optional Xenon lamps. These lamps improve visibility and provide better lifespan.



### CAUTION

To avoid breaking the bulb, make sure the socket is in proper position against the stop.



### CAUTION

Never connect a voltmeter or V.O.M. to measure bulb voltage as instrument will be destroyed.

### NOTE

Do not disrupt headlight adjustment screws.



When switching on the Xenon headlamp using the rocker switch, a short-circuit test is performed.

Current is detected in the lamp circuit before the ignition time and ignition prevented. Connection of the "hot" lamp to the body mass also prevents ignition. In both cases, the system is cut off within  $< 0.2$  s and can only be restarted via the rocker switch.

In general, the maximum ignition time is  $< 0.2$  s, which period is followed by cutoff. This would happen if a lamp was defected.

Lamp missing: system is cut off after  $< 0.2$  s.

If lamp components or cables are damaged by force (accident) so that contact with hazardous parts is possible, the current in these lines is earthed by the vehicle body and - as with a defective household appliance - switched off when 30mA are reached within  $< 0.2$  s. the cutoff time is shortened by a more powerful defect current.

To protect the ballast, a counter in the electronic safety system ensures that a defective lamp can only be switched off 7 times consecutively after a successful ignition, after which the device is cut off. This prevents flutter and flashing. This counter is put out of action when the lamp cutoff time repetition interval is longer than 1.3 s so that temporary non-defect disturbances that result in immediate invisible re-ignition do not cause lamp cutoff.

A warning notice on the lamp plug makes you aware of the fact that the lamp is operated in this system on a higher voltage (you should therefore switch off the lamp before working on this part).

After taking out the lamp, the contact pins are in a practically idle stat ( $< 34$  Volt) after  $< 0.5$  seconds so that there is no immediate danger of electric shock even if the warning is disregarded.

With this safety concept there is no danger to check the ballast with a new bulb. There is a very high probability that the ballast is OK if the ballast can ignite the bulb.

One simple test to check the ballast would be to measure the Nominal current of 1.58A after one minute for the 24V ballast.

#### 7.1.6 Aiming headlights

Headlights must be properly aimed to provide maximum allowable road illumination. Aiming

can be performed without opening headlight assembly. Vertical aiming of each module is provided by one adjusting screw that pivot the entire module in the housing for proper alignment (Fig. 31, 32). There is no adjustment for focus since the module is set for proper focus during manufacturing assembly.

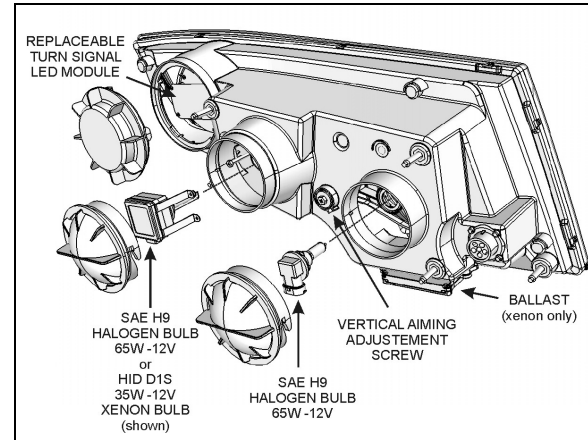


FIGURE 31: HEADLIGHT ASSEMBLY

06716

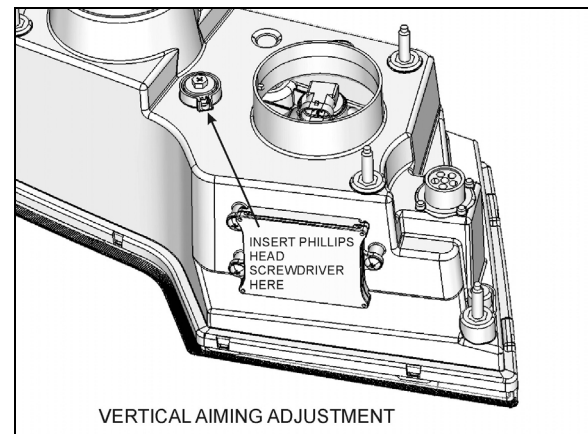


FIGURE 32: VERTICAL AIMING

06717

### 7.2 STOP, TAIL, DIRECTIONAL, BACK-UP, AND HAZARD WARNING LIGHTS

A combination stoplight, taillight, directional signal light and back-up light assembly is mounted at the rear, on each side of the vehicle. Furthermore, when braking, a high-mounted stoplight will illuminate simultaneously with the stoplights on the sides for increased safety.

The stop and tail lights are combined in the same 6-LED lamp. The directional signal and license plate lights consist of individual LED lights mounted on the engine rear door, and each light is serviced individually as a complete

## Section 06: ELECTRICAL

unit. The back-up light sealed unit uses a regular tungsten bulb.

The hazard warning flashing system uses the front, side and rear directional lights simultaneously. This system is energized by a switch on the L.H. dashboard.

### 7.2.1 Lamp Removal And Replacement

1. Open engine compartment rear door.
2. Unscrew the lamp support retaining screws (2), and then from the outside, remove the lamp and its support.
3. From the outside, install the new lamp with its support then fasten the retaining screws.

### 7.2.2 High-Mounted Stop Light Removal And Replacement

This vehicle is equipped with a high-mounted stop light (LED). This light is a sealed unit and should be replaced as an assembly in accordance with the following procedure:

1. Unscrew both "Phillips" light screws, and then remove the light assembly.
2. Position the new light assembly and install the "Phillips" screws.

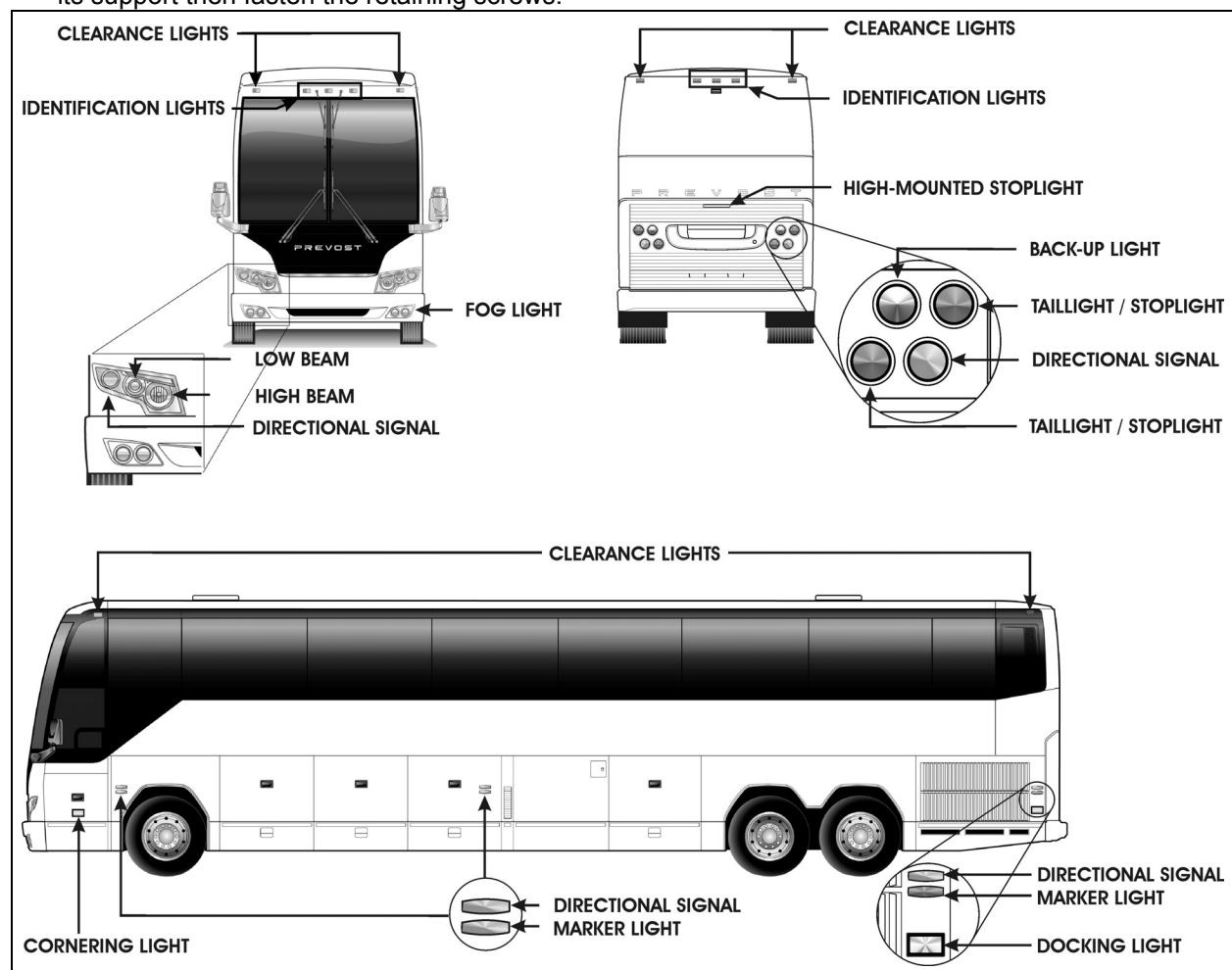


FIGURE 33: VARIOUS LIGHTS LOCATION

18588\_4

### 7.3 LICENCE PLATE LIGHT

Two LED units are mounted above the rear license plate(s) of vehicle. In case of burn out, the LED unit must be changed according to the following procedure.

1. Pry out the rubber seal with a small screwdriver. Pull on the LED unit and disconnect it.
2. Reconnect new LED unit, place rubber seal, and press on it until it is seated in position.

**7.4 CLEARANCE, IDENTIFICATION AND MARKER LIGHTS**

The vehicle is equipped with marker, identification and clearance lights (LED). The clearance lights are mounted at each corner of the coach near the top and the identification lights are in the upper center of rear and front sections. The rear clearance and identification lights are red and the front ones are amber.

The amber marker lights are mounted along the sides of vehicle.

**7.4.1 Marker Light Removal And Replacement**

The side marker light is a sealed unit (LED) and should be replaced as an assembly in accordance with the following procedure:

1. Unscrew both "Phillips" light screws, disconnect and remove the light assembly.
2. Connect and position the new light assembly and install the "Phillips" screws.

**7.4.2 Clearance And Identification Light Removal And Replacement**

The clearance and identification lights are sealed units (LED) and should be replaced as an assembly in accordance with the following procedure:

1. Unscrew both "Phillips" light screws, disconnect and remove the light assembly.
2. Connect and position the new light assembly, then install the "Phillips" screws.

**7.5 DOCKING AND CORNERING LIGHTS**

This vehicle is provided with two halogen sealed-beam units that serve as cornering lights. They are mounted on the front L.H. side service compartment door, while the other is located between the front wheel and the entrance door on the R.H. side. The main function of these lights is to increase lateral visibility when turning a corner. These lights are energized simultaneously with the directional lights. On the V.I.P. model, a dashboard-mounted rocker switch may be actuated to cancel this system in special situations.

Two additional halogen sealed-beam units are installed on rear electrical compartment door (R.H.) and radiator door. These lights are used as docking lights and both will illuminate

automatically when reverse range is selected to facilitate back-up or docking procedure.

On the V.I.P. model, these lights do not operate automatically when the reverse range is selected, but by means of a dashboard-mounted rocker switch. When actuated, the docking as well as the cornering lights illuminate. Furthermore, a "Low docking" switch, also located on dashboard, allows the use of the docking and cornering lights at a lower intensity when the docking switch is actuated.

**7.5.1 Lamp Removal And Replacement**

Both docking and cornering sealed-beam units can be changed in accordance with the following procedure:

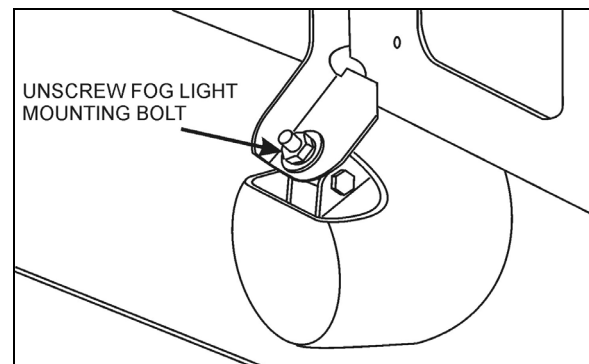
1. Remove the two "Phillips" screws attaching the retaining ring.
2. Disconnect the light unit connection.
3. Remove the lamp.
4. Position new lamp.
5. Connect and position the light unit.
6. Finally, install the retaining ring and screw.

**7.6 FOG LIGHTS**

Optional halogen fog lights can be mounted on this vehicle to give the driver better visibility in foggy weather, or to improve the range of vision just ahead of the coach.

**7.6.1 Bulb Removal And Replacement**

1. Pull on the release handle located in the front electrical and service compartment, near the door lower hinge. The bumper will lower gradually.



**FIGURE 34: FOG LIGHT MOUNTING BOLT**

2. From bumper inner side, unscrew the nut fixing the fog light and remove the entire fog light assembly from the bumper.

## Section 06: ELECTRICAL

3. Unscrew the outer ring. Disconnect the light unit connection and remove the bulb.

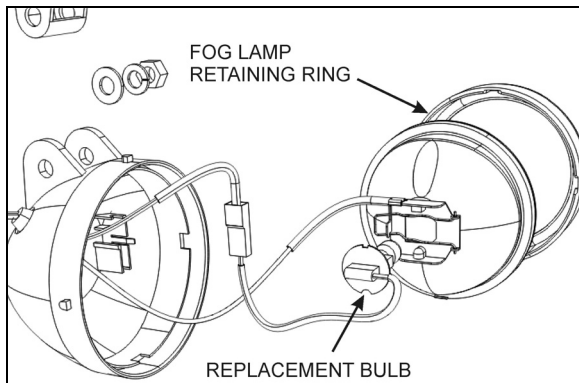


FIGURE 35: FOG LIGHT EXPLODED VIEW



**During this step, avoid contacting the bulb with your fingers. This could alter the bulb life.**

4. Install the new bulb, reconnect the light unit and replace in its proper position.
5. Reinstall the outer ring, then return the fog light assemble to its proper location.
6. Fasten the fog light mounting nut and securely close the bumper.

## 8. INTERIOR LIGHTING EQUIPEMENT

### 8.1 CONTROL PANEL LIGHTING

The instrument gauges and switches mounted on all control panels are energized whenever the exterior light switch is pushed to the first position. A control dimmer located on the dashboard is used to vary the brightness of the panel gauges, switches and indicator lights.

The gauge lights, panel lights, switch lights and indicator lights have a different bulb arrangement. Thus, the procedure to change a defective bulb can vary according to the application.

#### 8.1.1 Switch Lighting

1. Slightly pull the switch with a defective LED away from the control panel.
2. Disconnect the electric cable from the switch.
3. To install a new switch, reverse the procedure (Fig. 36).

### NOTE

*Switches are lighted by the use of LED. When lighting on a switch fails, replace defective switch as a unit.*

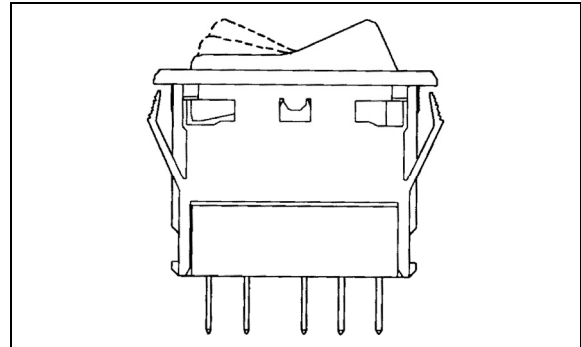


FIGURE 36: SWITCH

#### 8.1.2 Telltale Light Replacement

Telltale module is non-serviceable and must be replaced as a unit.

1. Unscrew and remove the top dashboard panel.
2. Remove the telltale back wire electric connectors.
3. Unscrew and remove the telltale module.
4. To replace the telltale module, reverse the procedure.

#### 8.1.3 Gauge Light Bulb Replacement

1. For any gauge light bulb replacement, the dashboard panel must be removed in order to have access to the rear of gauges.
2. Remove bulb socket from the gauge, turn the defective bulb counterclockwise and pull it out of the gauge.
3. Push a new bulb and socket ASM and turn clockwise to lock in place.
4. Replace the rear dashboard housing.

## 8.2 STEPWELL LIGHTS

### 8.2.1 Coach Entrance

The three stepwell lights are illuminated when the door opening system is activated (Fig. 37).

#### • Light Removal and Replacement

1. Unsnap the lamp outer ring with a flat head screwdriver and remove it.

2. Unfasten the three fixing screws, remove and disconnect LED light assembly.
3. Connect and install the new LED assembly in position.
4. Fasten the three fixing screws and replace the lamp outer ring by snapping it back in place.

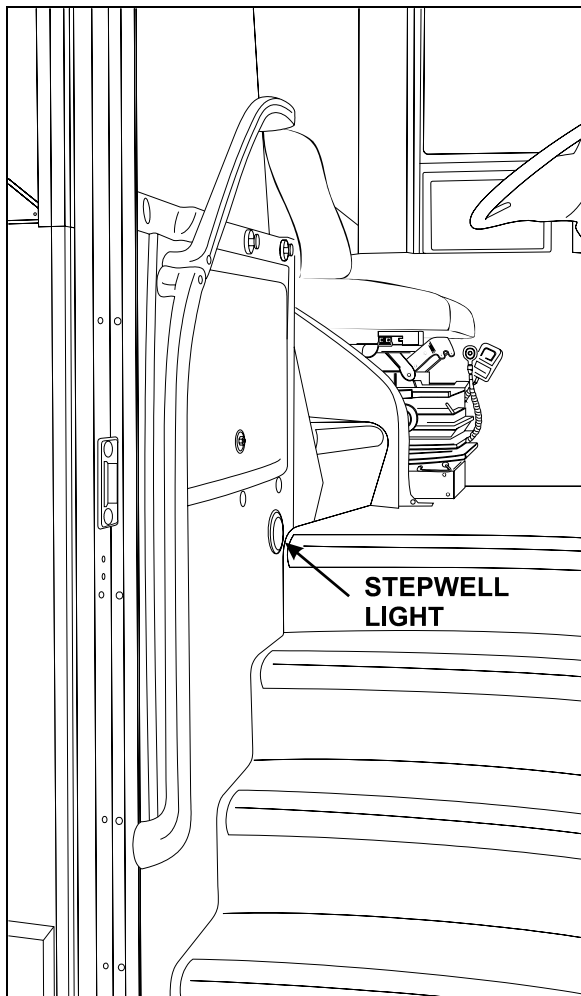
### 8.2.2 VIP Entrance And Bus Entrance Door

The stepwell light is illuminated when the door opening system is activated (Fig. 38).

### 8.2.3 Bulb Removal And Replacement

Proceed as follows to replace defective bulb:

1. Unscrew the two Phillips-head screws retaining the lens to the wall, and remove it.
2. With the light lens removed, pull bulb from the lamp while applying lateral pressure.
3. Install the new bulb into the lamp.
4. Position the light lens and install it.



**FIGURE 37: COACH ENTRANCE STEPWELL** 06492

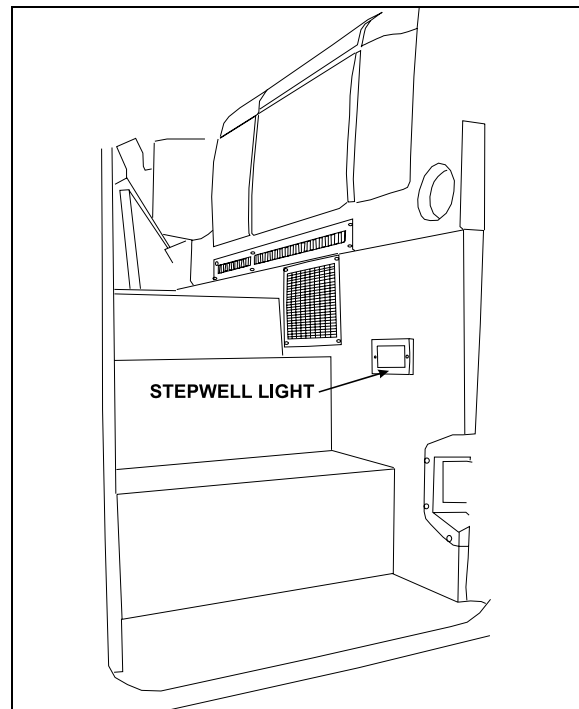
### 8.3 LAVATORY NIGHT-LIGHT

The lavatory night-light is illuminated as soon as the ignition switch is set to the "ON" position.

#### 8.3.1 Bulb Removal And Replacement

Proceed as follows to replace defective bulb:

1. Unscrew the two Phillips-head screws retaining the lens to the lavatory wall, and remove it.
2. With the light lens removed, pull bulb from the lamp while applying lateral pressure.
3. Install the new bulb into the lamp.
4. Position the light lens and install it.



**FIGURE 38: VIP ENTRANCE STEPWELL** 06507

### 8.4 DRIVER'S AREA LIGHTS

One halogen ceiling light is installed over the stepwell and another one over the driver's area. These lights are frequently used for nighttime operation when passengers board or leave coach.

#### 8.4.1 Bulb Removal And Replacement

1. Unsnap the lamp with a flat head screwdriver and remove it.

## Section 06: ELECTRICAL

2. Pull the defective bulb out of the socket.
3. Install the new bulb by pushing it in position.
4. Replace the lamp by snapping it back in place.



**Do not touch halogen bulbs with bare hands as natural oils on skin will shorten bulb life span.**

### 8.5 PASSENGER SECTION LIGHTING

The passenger section of coach is lit by two types of fluorescent tube lamps installed on the parcel racks.

The aisle or indirect lights are located on front of parcel racks, and provide soft, indirect cabin lighting and parcel rack interior lighting. More powerful lighting for general and in-station applications is provided by fluorescent tubes located under the parcel racks, close to the windows. A dual power system is available for this lighting either from the 24-volt vehicle power supply or from a 110-volt outlet supply. In order to save batteries during extended periods of in-station lighting, no current is drawn from the batteries as soon as the 110-volt circuit is connected.

Moreover, adjustable reading lamps are installed under the parcel racks for passenger accommodation.

#### 8.5.1 Fluorescent Tube Replacement

- Indirect Fluorescent Light
  1. Open the parcel rack access door, if so equipped, unscrew the two Phillips screws (one each end). Let the hinged cover down.
  2. Remove fluorescent tube from light socket and install a new fluorescent tube.
  3. Lift the hinged cover and replace the two retaining screws (Fig. 39).
- Parcel Rack Interior Lighting
  1. Open the parcel rack access door, if so equipped, unscrew the two Phillips screws (one each end). Pull the hinged cover down.
  2. Push on the bulb, turn and then, pull it from the socket.
  3. Install a new bulb.
  4. Lift the hinged cover and replace the two retaining screws.

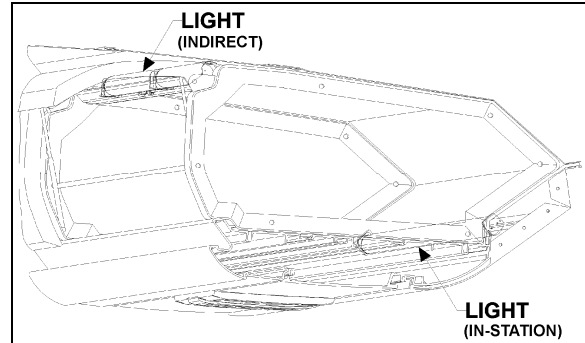


FIGURE 39: PARCEL RACK

06419

#### 8.5.2 Removal And Replacement Of In-Station Fluorescent Tubes

1. Start by pulling out the corner of the lens then delicately peeling it out of its seat.



**The lens is fragile. Be very careful when removing and handling.**

2. Rotate and pull the fluorescent tube from its sockets.
3. Install a new fluorescent tube, rotating the tube to secure it in the sockets.
4. Replace the screen lens by first inserting one side in the seat, then push the other side in and snap it in place by running it in from one corner to the next.

#### 8.5.3 Removal And Replacement Of Reading Lamp Bulb

1. Engage the tool (#830164) over the lamp and turn one quarter turn counterclockwise. Then, remove the tool slowly.
2. Pull the bulb socket off the reading lamp unit.
3. Push and turn bulb counterclockwise, then pull it out of the socket.
4. Install new bulb in the socket, then push and turn clockwise to lock bulb in position.
5. Push the bulb socket in the reading lamp unit.
6. Position the reading lamp with the tool (#830164), turn one quarter turn clockwise.

### 8.6 ENGINE COMPARTMENT LIGHTING

Two lights illuminate the engine compartment upon opening of the engine door (Fig. 40).

Each light is sealed and can be replaced as follows:

1. Disconnect the light unit connection.
2. Remove the lamp.
3. Position new lamp.
4. Connect the light unit.
5. Make sure the retaining ring is installed properly.

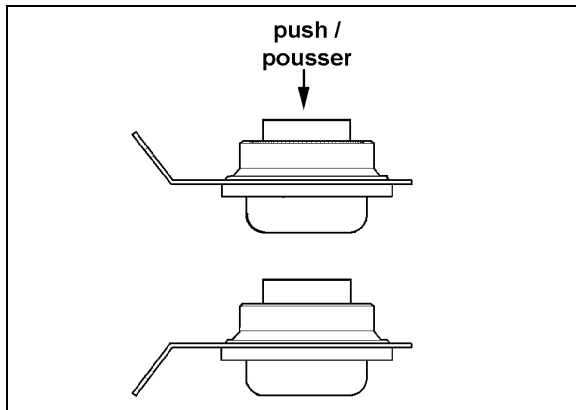


FIGURE 40: ENGINE COMPARTMENT LIGHT

### 8.7 LAVATORY LIGHT

The lavatory halogen lights are installed on ceiling. A microswitch, mounted in the door exterior frame, is activated by the door lock mechanism upon locking to energize the circuit. This switch is readily serviced by removing the two Phillips-head screws securing the mounting plate to the door exterior frame.

Proceed as follows to replace the bulb:

1. Unsnap the lamp with a flat head screwdriver and remove it.
2. Pull the defective bulb out of the socket.
3. Install the new bulb by pushing it in position.
4. Replace the lamp by snapping it back in place.



**CAUTION**

**Do not touch halogen bulbs with bare hands as natural oils on skin will shorten bulb life span.**

## Section 06: ELECTRICAL

### 9. LIGHT BULB DATA

When replacing a light bulb, special attention must be paid to the voltage rating (refer to light bulb data hereafter).

<i>NOTE</i>
<i>Exterior and interior lights can be 12 volts or 24 volts.</i>

Application	Prevost part no.	Trade or SAE number	Watts or Candle Power	Volts	Qty
<b>EXTERIOR LIGHTING</b>					
Hi-beam	563092	H9	65 W	12	2
Low-beam	563092	H9	65 W	12	2
Low-beam Xenon (optional)	564477	D1S	35 W	12	2
Docking & cornering	930319	H9415	37.5 W	12	4
Fog	930361	H3	55 W	12	2
License plate (sealed)	930368	Led	.05 A	12	2
Side marker (red)	930340	Led	.06 A	12	2
Side marker (amber)	930341	Led	.06 A	12	10
Identification (red)	930334	Led	0.10 A	12	3
Identification (amber)	930337	Led	0.10 A	12	3
Clearance (red)	930334	Led	0.10 A	12	4
Clearance (amber)	930337	Led	0.10 A	12	4
Front directional (hazard and marker)	930409	Led	0.75 / 0.10 A	12	2
Rear directional	930365	Led	0.55 A	12	2
Stop	930366	Led	0.3 A	12	4
Back-up	930367	Sealed Unit	2.1 A	12	2
Center stop (high-mounted)	930330	Led	---	12	1
Tail	930366	Led	0.03 A	12	4
Exterior compartment (except engine)	562278	6429 (78207)	10 W	24	A R
Engine compartment	930383	Sealed Unit	2.1 A	12	2
<b>INTERIOR LIGHTING</b>					
Speedometer	560145	2721 M OSRAM	1 cp	24	2
Tachometer	560145	2721 M	1 cp	24	2
Turbo boost	561167	2721 M	3 W	24	1
Other instruments (1/unit)	560144	2721 MFX OSRAM	1.6 cp	24	A R



**Section 06: ELECTRICAL**

<b>Application</b>	<b>Prevost part no.</b>	<b>Trade or SAE number</b>	<b>Watts or Candle Power</b>	<b>Volts</b>	<b>Qty</b>
Step (VIP)	562278	6429	10 W	24	1
Step (Coaches)	830173	LED	0.7 W	12	3
Lavatory	561009	6423	5 W	24	1
Parcel rack	561553	313	1.6 cp	24	A R
Driver's area	830176	Q20MR16	20 W	12	2
"EMERGENCY EXIT" decal	560601	456	2 cp	24	20
"LAVATORY OCCUPIED"	561166	1820	1.6 cp	24	2
"WATCH YOUR STEP"	561166	1820	1.6 cp	24	2
Aisle	563546	---	---	24	A R
Reading	563073	623	.37 A	24	A R
Fluorescent (In-Station)	830153	F32T8/SP41	32 W	---	A R
Lavatory	830176	Q20MR16	20 W	12	1
Destination sign fluorescent	830080	F30T8CW4	30 W	---	1
Fluorescent (Indirect)	830152	F13T5/CW	13 W	---	---

**10. SPECIFICATIONS**

**Battery**

Make..... Volvo  
Model..... 20359831  
Type ..... Maintenance-free  
Terminal type ..... Top Stud  
Group size ..... 31  
Volts ..... 12  
Load test amperage ..... 290  
Reserve capacity (minutes) ..... 195  
Cold cranking (in amps)  
-At 0°F (-18°C).....950 (each battery)  
Maximum dimensions (inches/mm)  
-Length (including flange) ..... 13.0/330,2  
-Width ..... 6.7/169,3  
-Height (including top posts) ..... 9.3/237,0  
-Approximate weight (lbs/kg) ..... 59/26,7

\* *Battery tester cable clamps should be between terminal nuts and lead pads of terminals. If not possible, load value should be 210 amperes.*

**Torque specifications**

Battery cable to post ..... 10-15 ft-lbf (13-20 N□m)  
Battery cover ..... 45-50 ft-lbf (5-6 N□m)

**Alternator**

Make..... BOSCH  
Series ..... T1  
Hot output  
-Amperes ..... 140 at 25°C (AMBIENT)  
-Volts ..... 28  
-Approximate rpm..... 6000  
Ground ..... negative  
Prevost Number ..... 562752

**Alternator**

Make..... BOSCH  
Series ..... HD10  
Hot output

Amperes ..... 120 at 25°C (AMBIENT)  
Volts ..... 28.4  
Power output ..... 3 Kw  
Ground ..... negative  
Prevost Number ..... 564119

**Battery equalizer**

Make ..... Vanner  
Model ..... 60-100D  
Amperes ..... 100 amps  
Prevost Number ..... 562542

**Starter**

Make ..... Mitsubishi Electric Corporation (MELCO)  
Model Number ..... M009T82479  
Type ..... 105P70  
Voltage ..... 24  
Prevost Number ..... 510752

**No-load test**

-Volts ..... 23.5  
-Max. current draw ..... 125 amperes  
-Min. rpm ..... 3000 rpm

**Starter solenoid**

Make ..... Mitsubishi Electric Corporation (MELCO)  
Model Number ..... 1115557  
Pull In Voltage ..... 16 volts max.

**IO-A Volvo multiplex module**

Rated voltage ..... 24 or 12 VDC  
Operating voltage ..... 9-32 V  
Over voltage ..... 35 V  
Number of inputs ..... 15  
Number of outputs ..... 6  
Prevost number ..... 565864

**IO-B Volvo multiplex module**

Rated voltage ..... 24 or 12 VDC  
Operating voltage ..... 9-32 V

**Section 06: ELECTRICAL**

---

Over voltage .....	35 V
Number of inputs .....	10
Number of outputs.....	6
Prevost number .....	565865

**CECM Volvo multiplex module**

Rated voltage .....	24 VDC
Operating voltage .....	8-24 V
Over voltage .....	35 V
Number of inputs.....	10
Analog inputs .....	1
Number of outputs.....	16
Prevost number .....	563274

**Master-ID Volvo multiplex module**

Rated voltage .....	24 VDC
Operating voltage .....	18-32 V
Over voltage .....	36 V
Prevost number .....	563295