

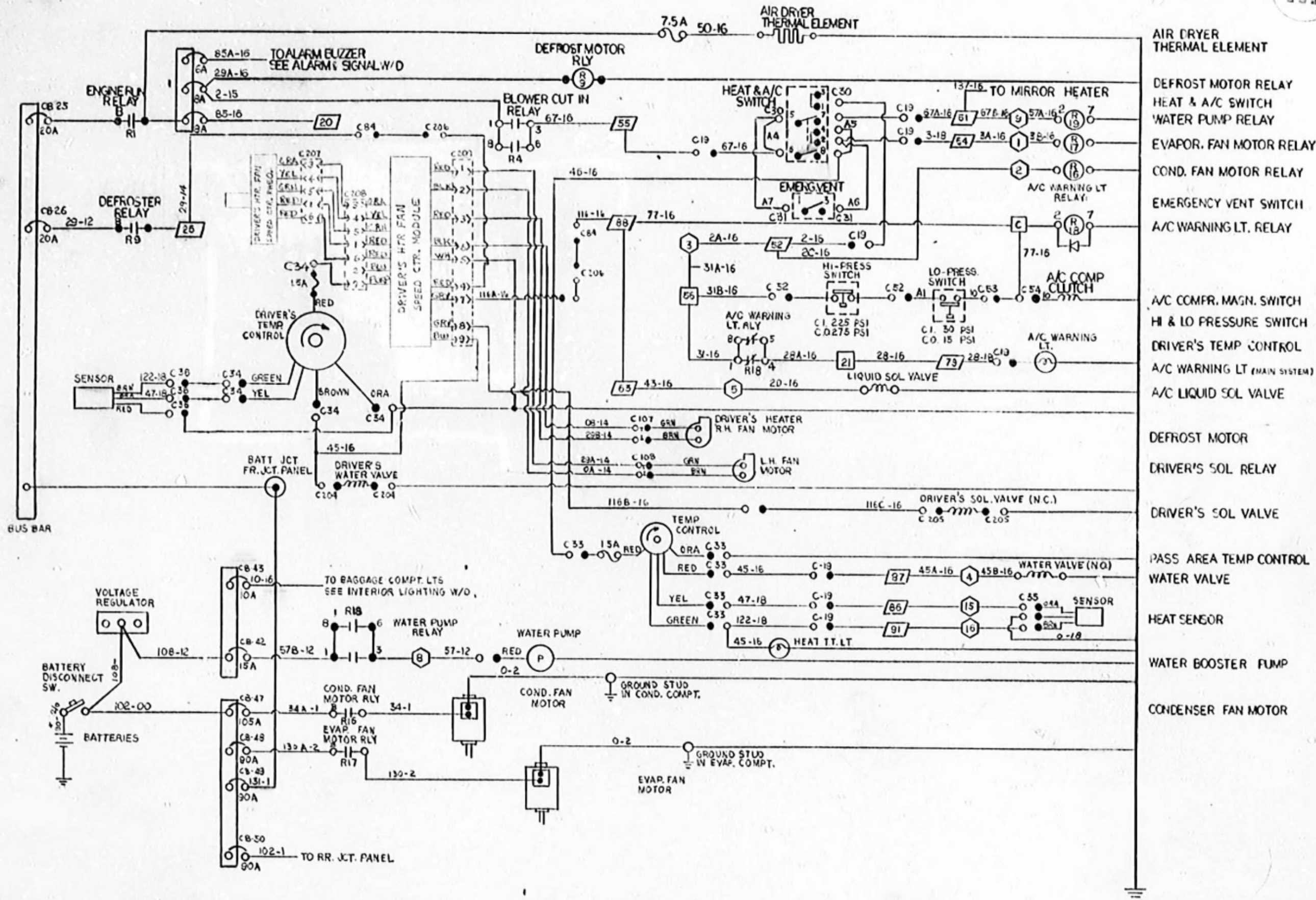
- AIR DRYER THERMAL ELEMENT
- AUX. A/C UNIT RELAY
- DEFROST MOTOR RELAY
- HEAT & A/C SWITCH
- WATER PUMP RELAY
- EVAPOR. FAN MOTOR RELAY
- COND. FAN MOTOR RELAY
- Aux A/C UNIT SWITCH
- EMERGENCY VENT SWITCH
- A/C WARNING LT. RELAY
- A/C COMP. MAGN. SWITCH
- HI B LO PRESSURE SWITCH
- DRIVER'S TEMP CONTROL
- A/C WARNING LT. (EVS SYSTEM)
- A/C LIQUID SOL VALVE
- DEFROST MOTOR
- DRIVER'S SOL. RELAY
- DRIVER'S SOL VALVE
- PASS AREA TEMP CONTROL
- WATER VALVE
- HEAT SENSOR
- WATER BOOSTER PUMP
- CONDENSER FAN MOTOR
- EVAPORATOR FAN MOTOR

PREVOST		LEGEND	
	FRONT JUNCTION PANEL		BATTERY JUNCTION BLOCK
	REAR JUNCTION PANEL		SINGLE CONNECTOR
	BATTERY COMPARTMENT		DIODE (RECTIFIER)
	CIRCUIT BREAKER		OPTION
	HARNESS CONNECTOR		

AIR CONDITIONING WIRING DIAGRAM
 WITH A/C AUXILIARY COACHES 102
 EFF. W/L-545 PRIOR TO L-706
 DATE: 87-07

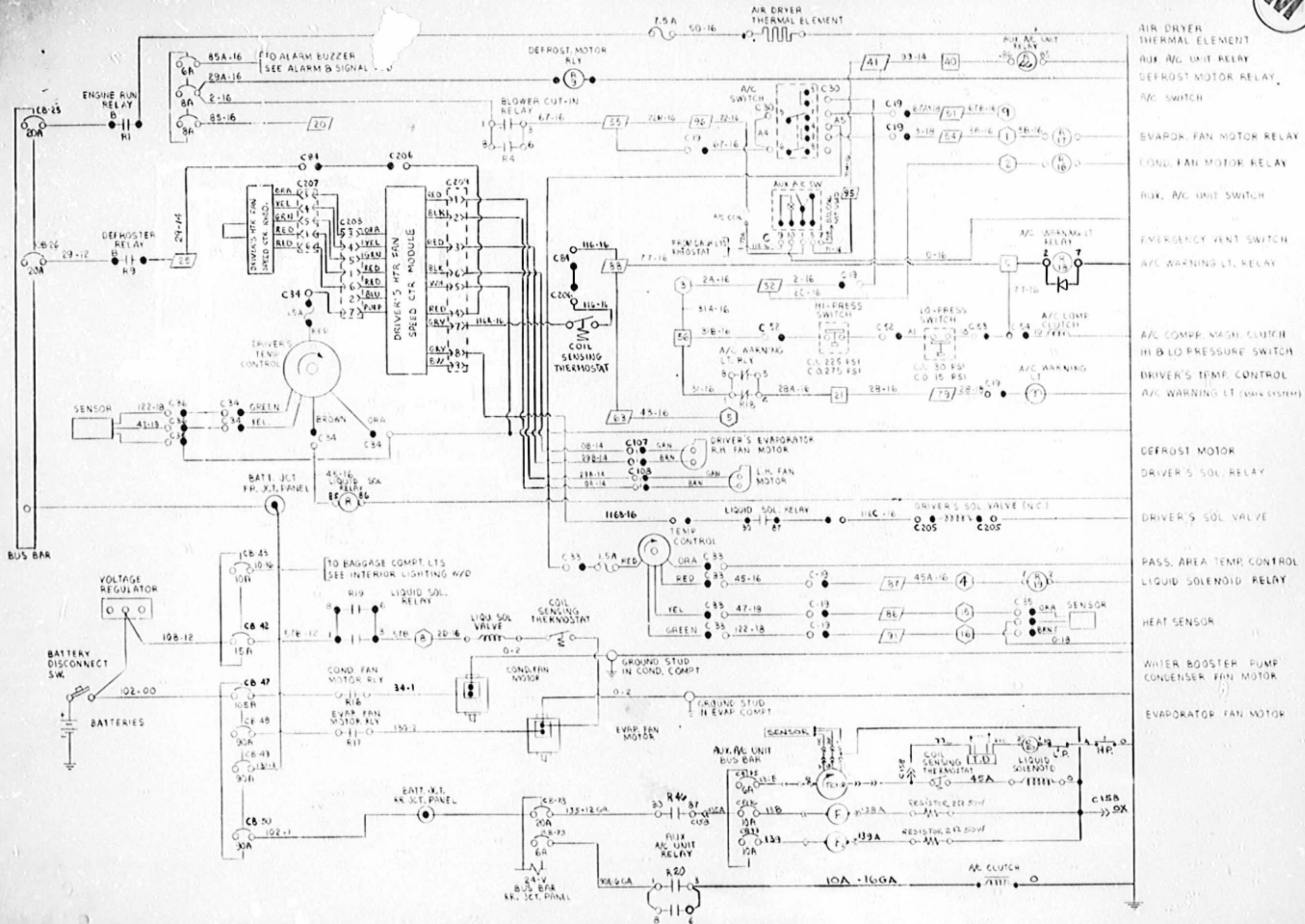
DESS: DV	DATE: 89-07
VER: <i>[Signature]</i>	APPR: <i>[Signature]</i>

D-060707

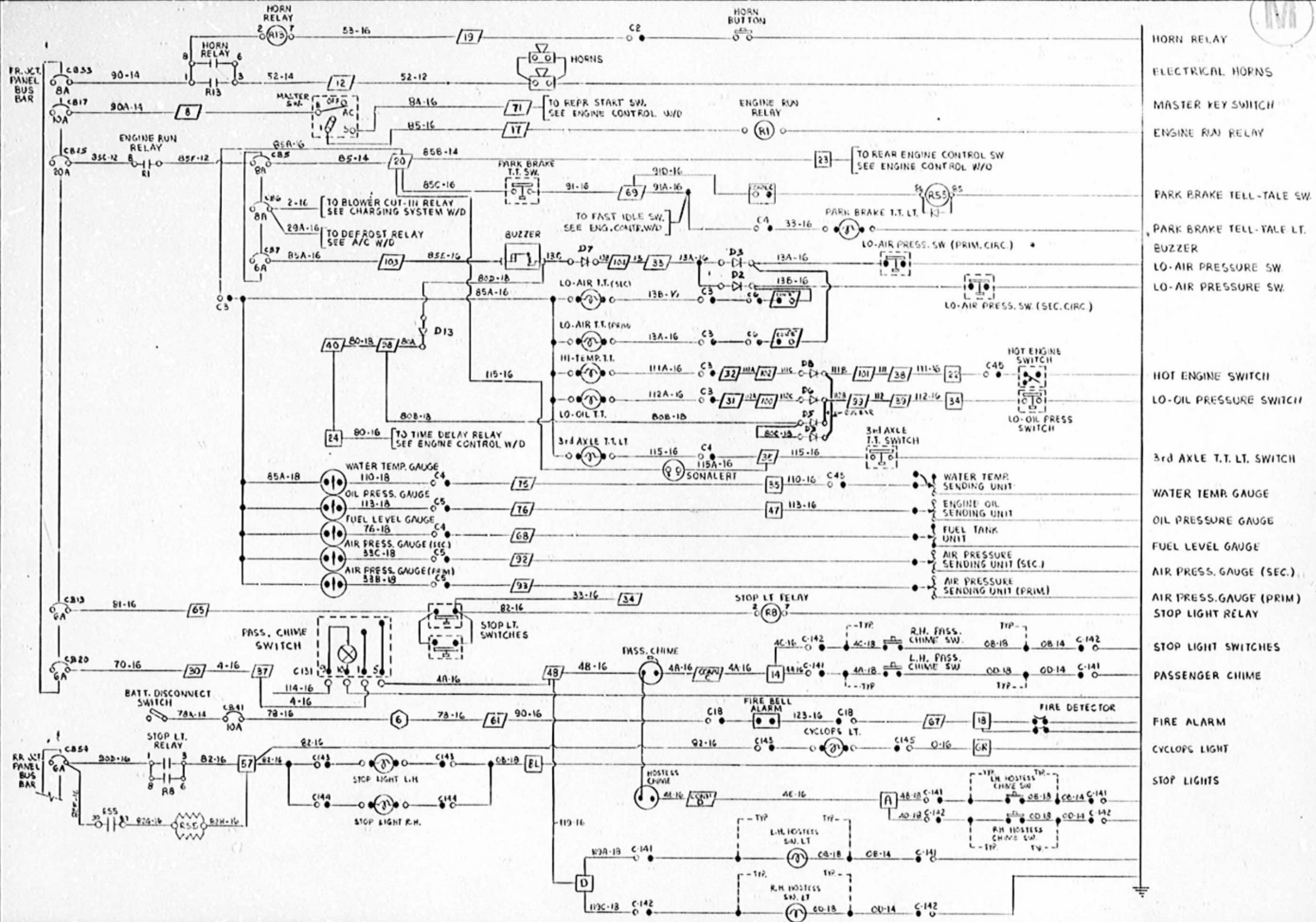


- AIR DRYER THERMAL ELEMENT
- DEFROST MOTOR RELAY
- HEAT & A/C SWITCH
- WATER PUMP RELAY
- EVAPOR. FAN MOTOR RELAY
- COND. FAN MOTOR RELAY
- EMERGENCY VENT SWITCH
- A/C WARNING LT. RELAY
- A/C COMP CLUTCH
- A/C COMPR. MAGN. SWITCH
- HI & LO PRESSURE SWITCH
- DRIVER'S TEMP CONTROL
- A/C WARNING LT. (MAIN SYSTEM)
- A/C LIQUID SOL. VALVE
- DEFROST MOTOR
- DRIVER'S SOL. VALVE
- DRIVER'S SOL. VALVE (N.C.)
- PASS AREA TEMP CONTROL
- WATER VALVE
- HEAT SENSOR
- WATER BOOSTER PUMP
- CONDENSER FAN MOTOR

LEGEND		TITLE: AIR CONDITIONING WIRING DIAGRAM		DESS: DT	DATE: 89/07
	FRONT JUNCTION PANEL		BATTERY JUNCTION BLOCK	VER. -	APPR. -
	REAR JUNCTION PANEL		SINGLE CONNECTOR		
	BATTERY COMPARTMENT		DIODE (RECTIFIER)		
	CIRCUIT BREAKER		OPTION		
	HARNESS CONNECTOR	A 20-02 PRIOR TO ADJUSTE EL		APPL: EFF. W/L-545	REF: COACHES 102
ITEM	DATE	REVISION	PAR	PRIOR TO L-706	NO: D-060706

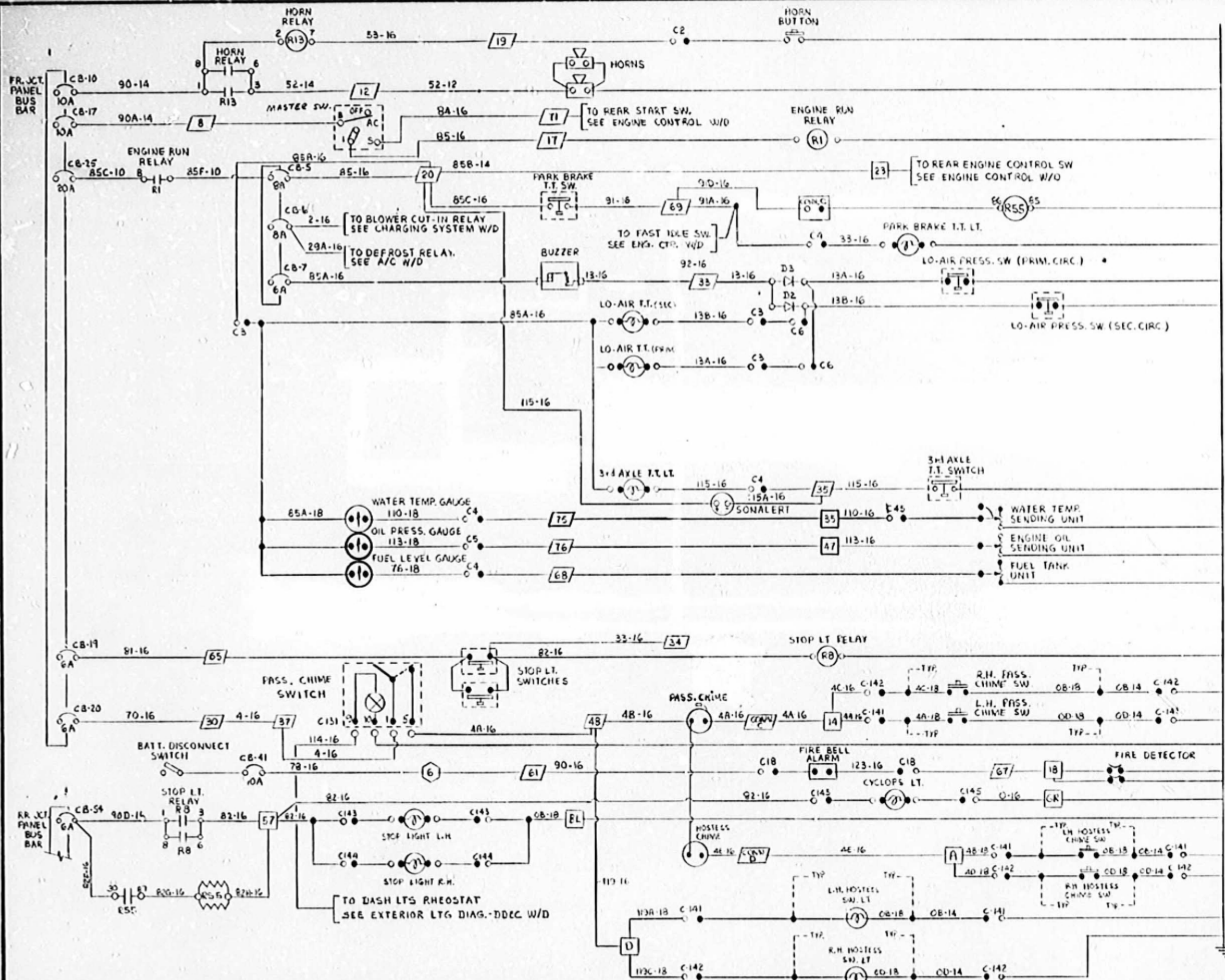


- AIR DRYER THERMAL ELEMENT
- AUX. A/C UNIT RELAY
- DEFROST MOTOR RELAY
- A/C SWITCH
- EVAPOR. FAN MOTOR RELAY
- COND. FAN MOTOR RELAY
- AUX. A/C UNIT SWITCH
- EMERGENCY VENT SWITCH
- A/C WARNING LT. RELAY
- A/C COMP. MAGN. CLUTCH
- HI B LO PRESSURE SWITCH
- DRIVER'S TEMP. CONTROL
- A/C WARNING LT (MAIN SYSTEM)
- DEFROST MOTOR
- DRIVER'S SOL. RELAY
- DRIVER'S SOL. VALVE
- PASS. AREA TEMP. CONTROL
- LIQUID SOLENOID RELAY
- HEAT SENSOR
- WATER BOOSTER PUMP
- CONDENSER FAN MOTOR
- EVAPORATOR FAN MOTOR



- HORN RELAY
- ELECTRICAL HORNS
- MASTER KEY SWITCH
- ENGINE RUN RELAY
- PARK BRAKE TELL-TALE SW.
- PARK BRAKE TELL-TALE LT.
- BUZZER
- LO-AIR PRESSURE SW.
- LO-AIR PRESSURE SW.
- HOT ENGINE SWITCH
- LO-OIL PRESSURE SWITCH
- 3rd AXLE T.T. SWITCH
- WATER TEMP. GAUGE
- OIL PRESSURE GAUGE
- FUEL LEVEL GAUGE
- AIR PRESS. GAUGE (SEC.)
- AIR PRESS. GAUGE (PRIM.)
- STOP LIGHT RELAY
- STOP LIGHT SWITCHES
- PASSENGER CHIME
- FIRE ALARM
- CYCLOPS LIGHT
- STOP LIGHTS

LEGEND		TITLE: ALARM & SIGNAL WIRING DIAGRAM		DESS: M.J.	DATE: 8/10/09
FRONT JUNCTION PANEL	BATTERY JUNCTION BLOCK	APPL: EFF. W/L 507 ENGR. TO E-706		VER: Kc	APPR: [Signature]
REAR JUNCTION PANEL	SINGLE CONNECTOR			REF: COACHES-102 NONE DDEC	NO: D-060720
BATTERY COMPARTMENT	DIODE (RECTIFIER)	ITEM	DATE	REVISION	PAR
CIRCUIT BREAKER	OPTION				
HARNESS CONNECTOR					



- HORN RELAY
- ELECTRICAL HORNS
- MASTER KEY SWITCH
- ENGINE RUN RELAY
- PARK BRAKE TELL-TALE SW
- PARK BRAKE TELL-TALE LT. BUZZER
- LO-AIR PRESSURE SW
- LO-AIR PRESSURE SW (SEC. CIRC.)
- 3rd AXLE T.T. LT. SWITCH
- WATER TEMP. GAUGE
- OIL PRESSURE GAUGE
- FUEL LEVEL GAUGE
- STOP LIGHT RELAY
- STOP LIGHT SWITCHES
- PASSENGER CHIME
- FIRE ALARM
- CYCLOPS LIGHT
- STOP LIGHTS

LEGEND	
	FRONT JUNCTION PANEL
	REAR JUNCTION PANEL
	BATTERY COMPARTMENT
	CIRCUIT BREAKER
	HARNESS CONNECTOR
	BATTERY JUNCTION BLOCK
	SINGLE CONNECTOR
	DIODE (RECTIFIER)
	OPTION

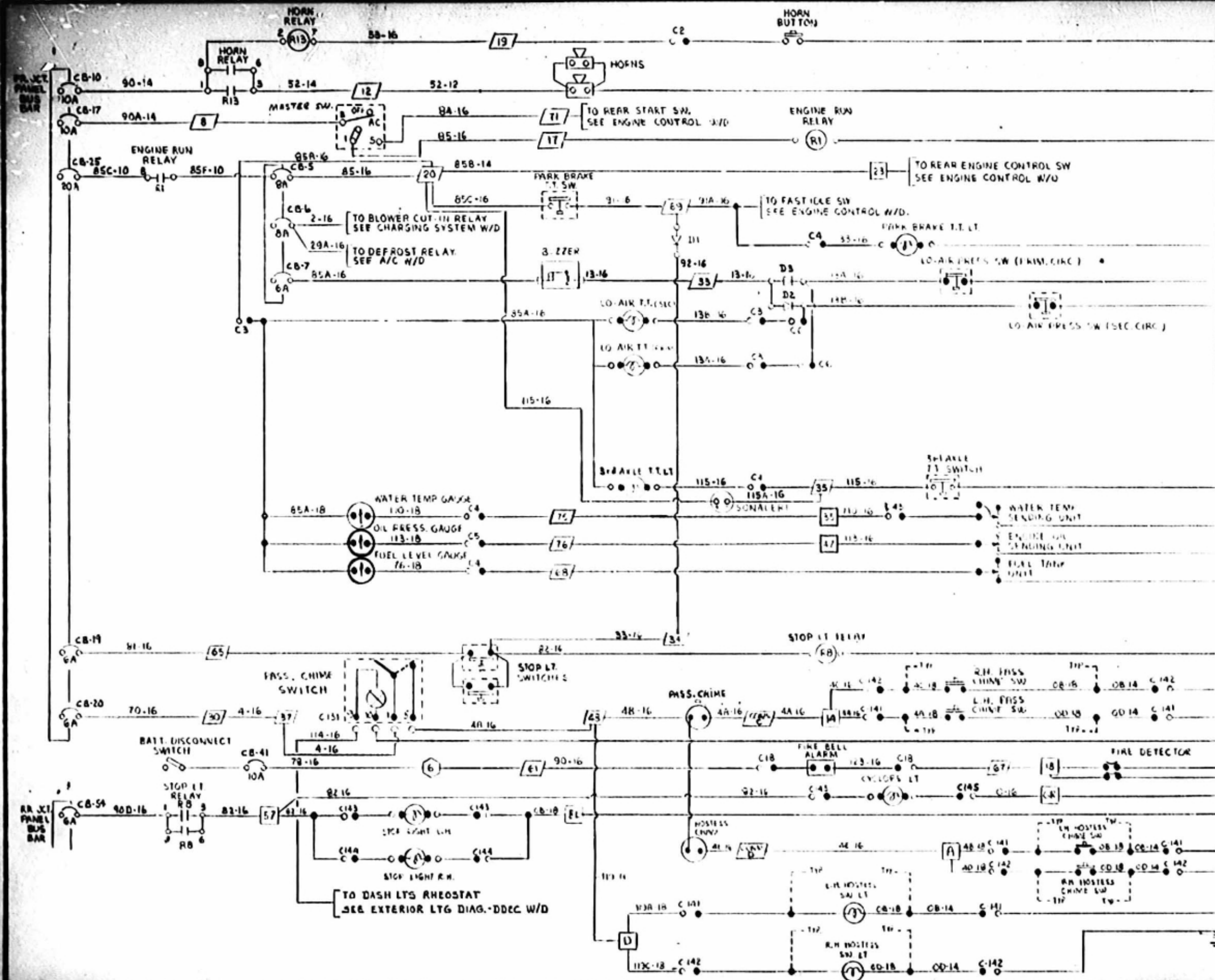
REV	DATE	REVISION	PAR
A	30-08	PRIOR TO REVISE	SL

TITRE: ALARM & SIGNAL WIRING DIAGRAM-DDEC

APPLS: EFF. W/L 507 PRIOR TO L-706

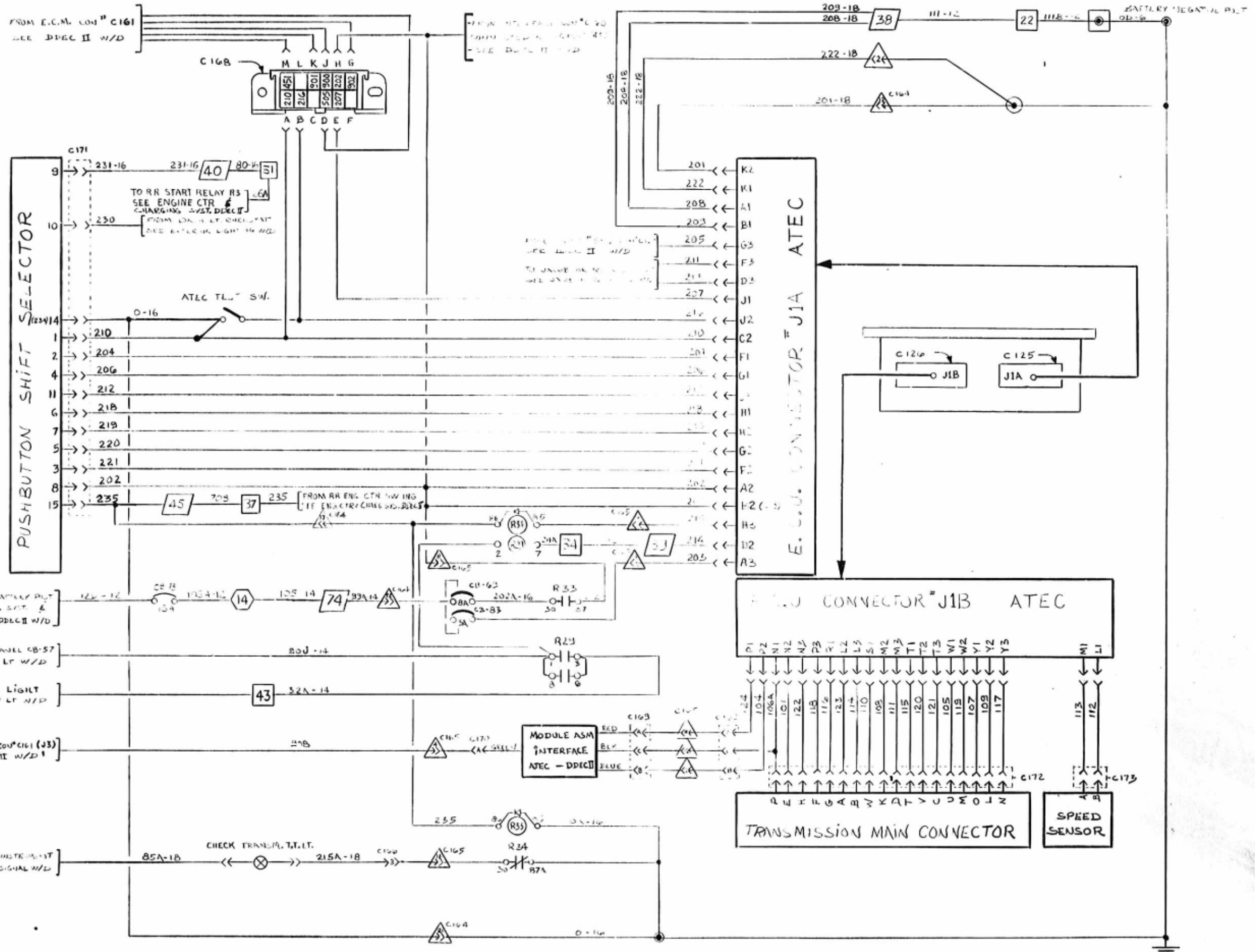
REF: AUTOCAR XL

DESS: <i>KC</i>	DATE: 8/7/07
VER: <i>KC</i>	APPR: <i>R</i>
NO: D-060722	C



- HORN RELAY
- ELECTRICAL HORNS
- MASTER KEY SWITCH
- ENGINE RUN RELAY
- PARK BRAKE TELL-TALE SW
- PARK BRAKE TELL-TALE LT.
- BUZZER
- LO-AIR PRESSURE SW
- LO-AIR PRESSURE SW
- 3rd AXLE T.T. SWITCH
- WATER TEMP GAUGE
- OIL PRESSURE GAUGE
- FUEL LEVEL GAUGE
- STOP LIGHT RELAY
- STOP LIGHT SWITCHES
- PASSENGER CHIME
- FIRE ALARM
- CYCLOPS LIGHT
- STOP LIGHTS

LEGEND				TITLE:		DESS:	DATE:
JUNCTION PANEL JUNCTION BLOCK BATTERY DISCONNECT SWITCH STOP LIGHT RELAY STOP LIGHT	DOUBLE CONNECTOR HOSE CONNECTOR OPTION	B 09-09 PRIOR TO L506 ADJUST A 88-03 ADJUSTER EFF. TO J-726	EC BC PAR	ALARM & SIGNAL WIRING DIAGRAM-DDEC APPL: EFF. TO J-726 PRIOR TO L506 REF: AUTOCAR XL	DESS: <i>[Signature]</i> VER: <i>[Signature]</i>	DATE: 88-07-07 APPR: <i>[Signature]</i>	NO: D-060687 C



LEGEND	
	FRONT JUNCTION PANEL
	REAR JUNCTION PANEL
	BATTERY COMPARTMENT
	CIRCUIT BREAKER
	HARNESS CONNECTOR
	BATTERY JUNCTION BLOCK
	SINGLE CONNECTOR
	DIODE (RECTIFIER)
	OPTION

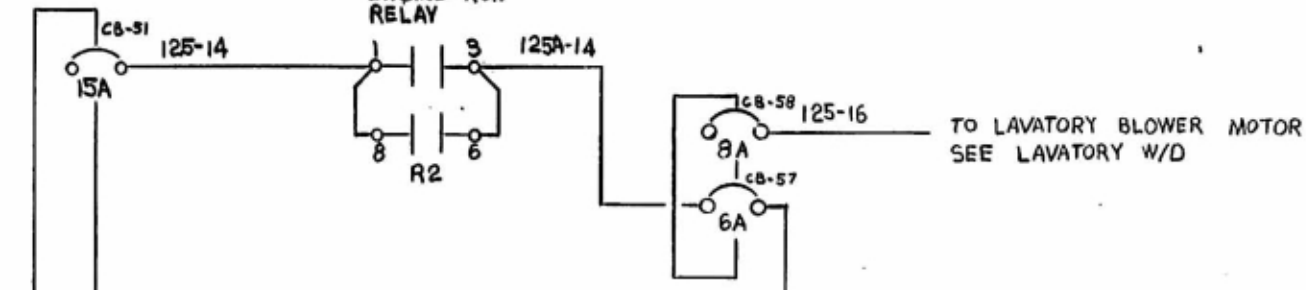
ITEM	DATE	REVISION	PAR
C	88/09	ADJUTER EFF TO J726	BC
B	88/08	CD # 14764	BC
A	88/03		

TITRE: ATEC "DDEC II" W/D
 APPL: EFF TO J726
 REF: AUTOCAR XL

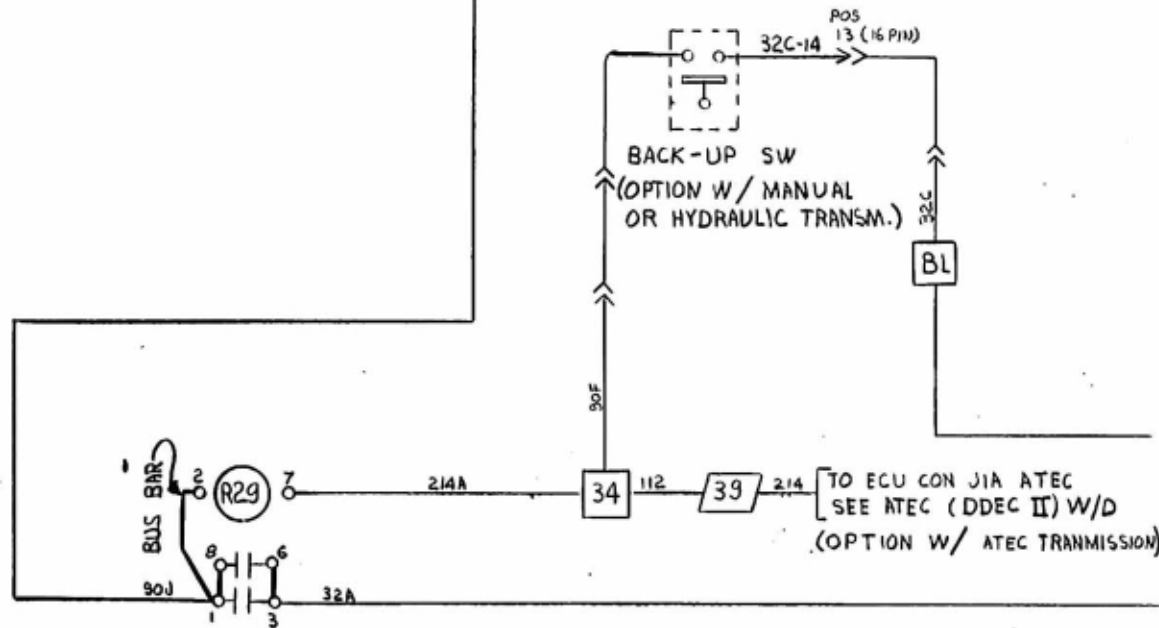
DESS: BC
 VER:
 DATE: 24-03-88
 APPR:
 NO: D-060665
 C

24-V
BUS BAR
RR. JCT. PANEL

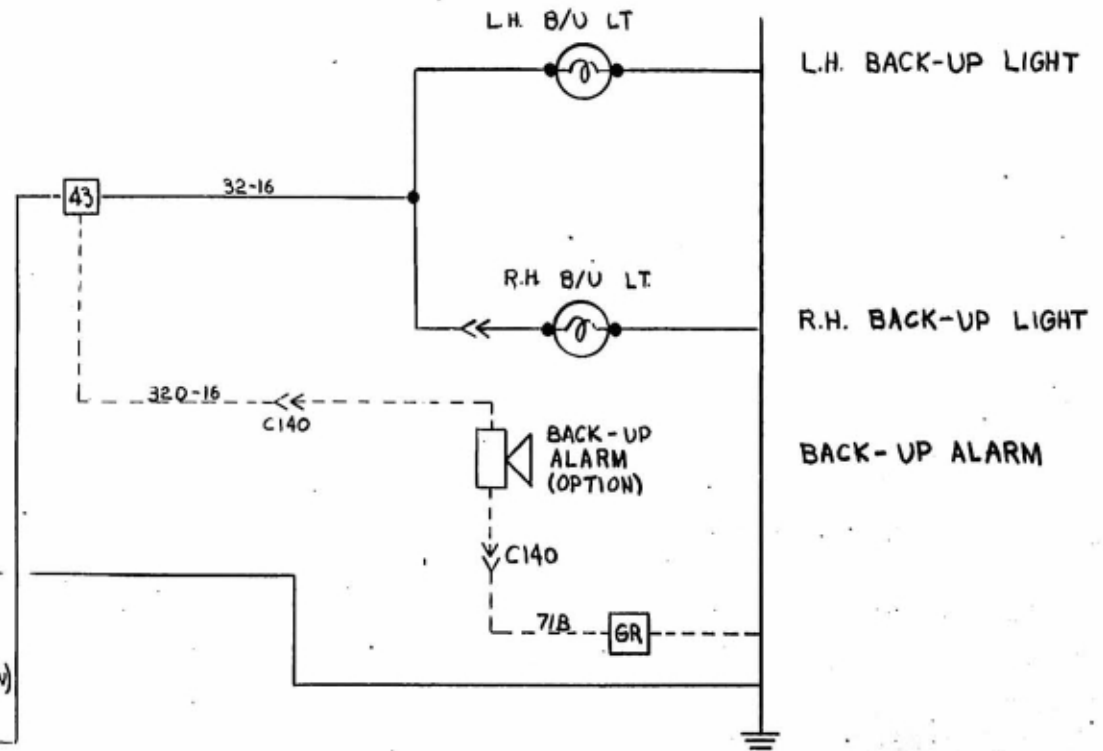
REAR
ENGINE RUN
RELAY



TO LAVATORY BLOWER MOTOR
SEE LAVATORY W/D



TO ECU CON J1A ATEC
SEE ATEC (DDEC II) W/D
(OPTION W/ ATEC TRANSMISSION)



L.H. BACK-UP LIGHT

R.H. BACK-UP LIGHT

BACK-UP ALARM

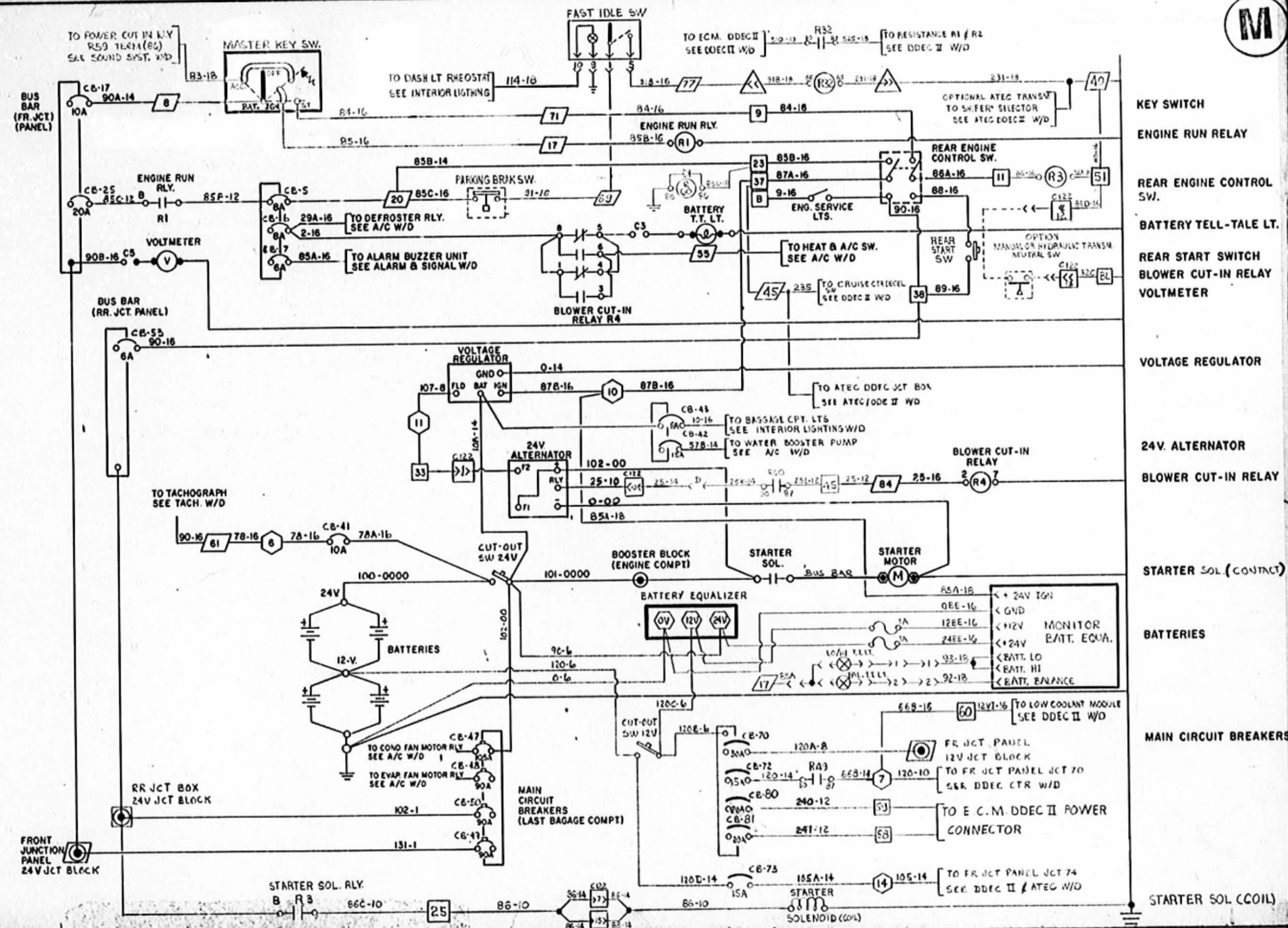
LEGEND

	FRONT JUNCTION PANEL
	REAR JUNCTION PANEL
	BATTERY COMPARTMENT
	CIRCUIT BREAKER
	HARNESS CONNECTOR
	BATTERY JUNCTION BLOCK
	SINGLE CONNECTOR
	DIODE (RECTIFIER)
	OPTION

ITEM	DATE	REVISION
A	88 09	MISE A JOUR

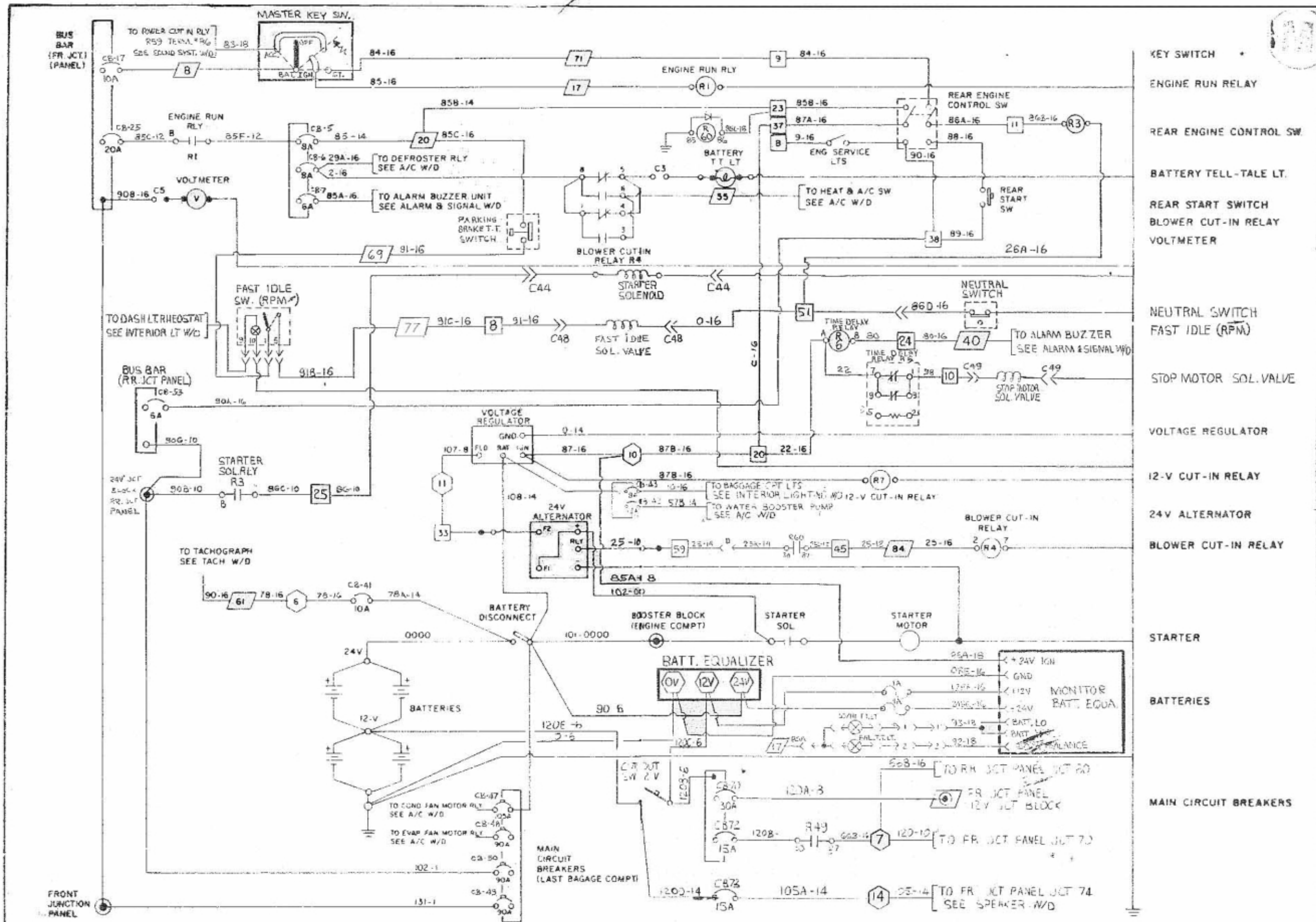
TITRE :	BACK-UP LT. WIRING DIAGRAM
APPL:	J 613, J615, J617, J-726
REF:	AUTOCAR XL

DESS:	B.C.	DATE:	28-03-88
VER.:	C	APPR.:	
NO:	D-060669		C



- KEY SWITCH
- ENGINE RUN RELAY
- REAR ENGINE CONTROL SW.
- BATTERY TELL-TALE LT.
- REAR START SWITCH
- BLOWER CUT-IN RELAY
- VOLTMETER
- VOLTAGE REGULATOR
- 24V. ALTERNATOR
- BLOWER CUT-IN RELAY
- STARTER SOL. (CONTACT)
- BATTERIES
- MAIN CIRCUIT BREAKERS
- STARTER SOL. (COIL)

LEGEND 		REVISION B 5508 PRIOR TO ADJUST. 5/2 A 89-11 06-93172, 89184 & 87133-5 1/1		TITLE: CHARGING SYST. & ENGINE CTR. DDEC II WIRING DIAGRAM		DESS: M/J VER.: /C		DATE: 89-11 APPR.:	
FRONT JUNCTION PANEL RR JCT PANEL FRONT JUNCTION PANEL 24V JCT BLOCK		RR JCT BOX 24V JCT BLOCK		FRONT JUNCTION PANEL 24V JCT BLOCK		FRONT JUNCTION PANEL 24V JCT BLOCK		FRONT JUNCTION PANEL 24V JCT BLOCK	
FRONT JUNCTION PANEL RR JCT PANEL FRONT JUNCTION PANEL 24V JCT BLOCK		RR JCT BOX 24V JCT BLOCK		FRONT JUNCTION PANEL 24V JCT BLOCK		FRONT JUNCTION PANEL 24V JCT BLOCK		FRONT JUNCTION PANEL 24V JCT BLOCK	
FRONT JUNCTION PANEL RR JCT PANEL FRONT JUNCTION PANEL 24V JCT BLOCK		RR JCT BOX 24V JCT BLOCK		FRONT JUNCTION PANEL 24V JCT BLOCK		FRONT JUNCTION PANEL 24V JCT BLOCK		FRONT JUNCTION PANEL 24V JCT BLOCK	



LEGEND		REVISIONS		TITRE	DESS	DATE
	FRONT JUNCTION PANEL		BATTERY JUNCTION BLOCK	C 91-10	M/	80-11
	REAR JUNCTION PANEL		CABLE CONNECTOR	B 90-08	/	
	BATTERY CONNECTOR		DIODE RECTIFIER	A 89-11		
	CIRCUIT BREAKER					
	MAIN 15 CONNECTOR					

ITEM	DATE	REV	BY	PAR
C	91-10		MISE A JOUR F. L. 102-00	M/
B	90-08		PROG. TO ADJUST	G/L
A	89-11		CONSTIT. 89-04 & 89-13-3	M/

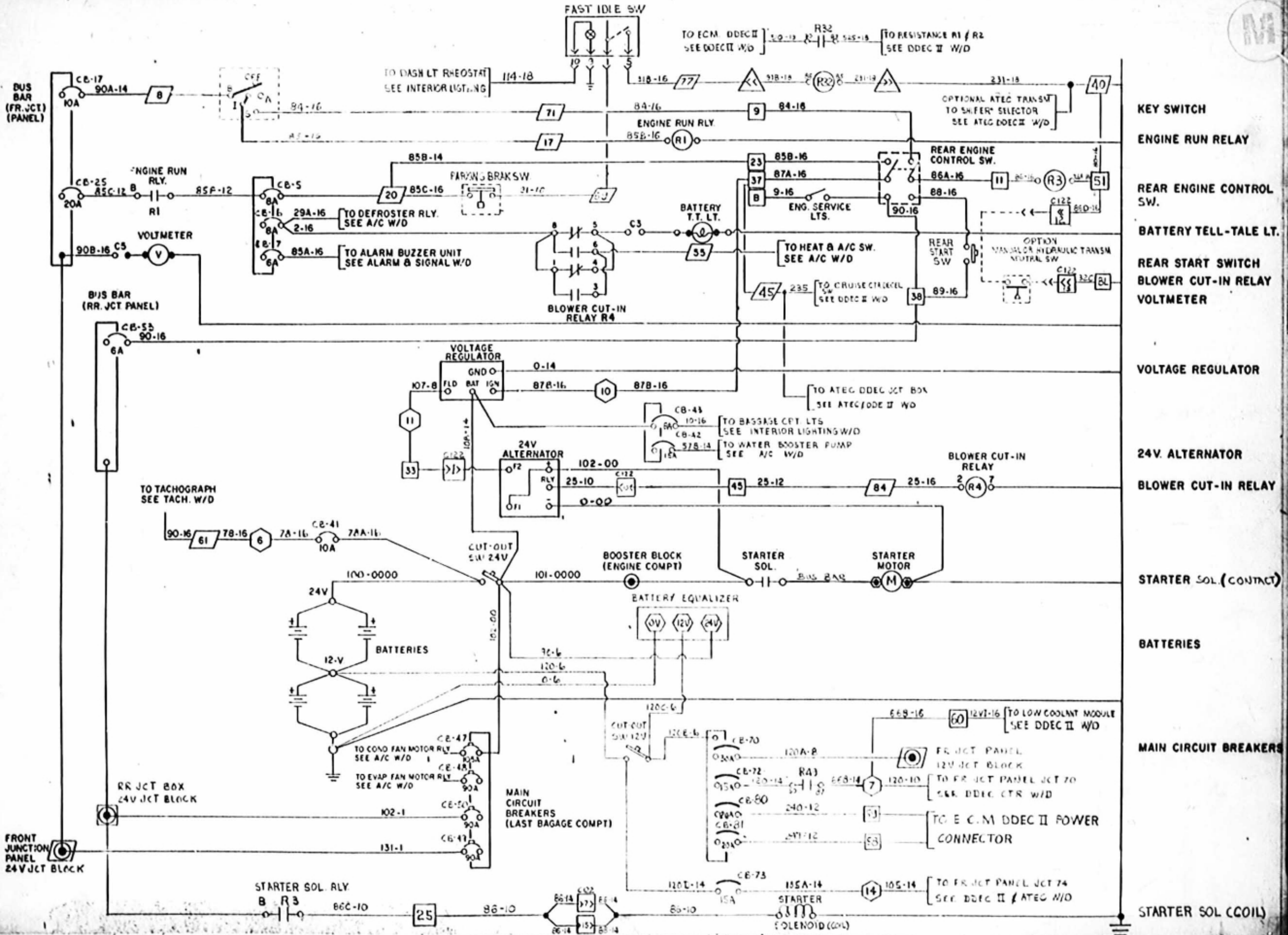
APPL. EFF. W/ L599	PRIOR TO L-706	REF. AUTOCAD NONE	SOEC
--------------------	----------------	-------------------	------

NO: D-060741	C
--------------	---

11
58
8.5
11

11
58
11





LEGEND

	BATTERY JUNCTION BLOCK
	SINGLE CONDUCTOR
	DOUBLE CONDUCTOR
	OPTION

ITEM	DATE	REVISION	PAR
C	89-11	PRIOR TO	ROUTE
B	88-03	VOIR CD # 15266	BC
A	88-03	LANCE OC# 8848	DT

CHARGING SYST. / ENGINE CTR. DDEC II
 WIRING DIAGRAM

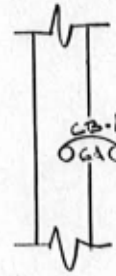
APPL: J 613, J 615, J 617, J 726
 PRIOR TO L 599

REF: AUTOCAR XL

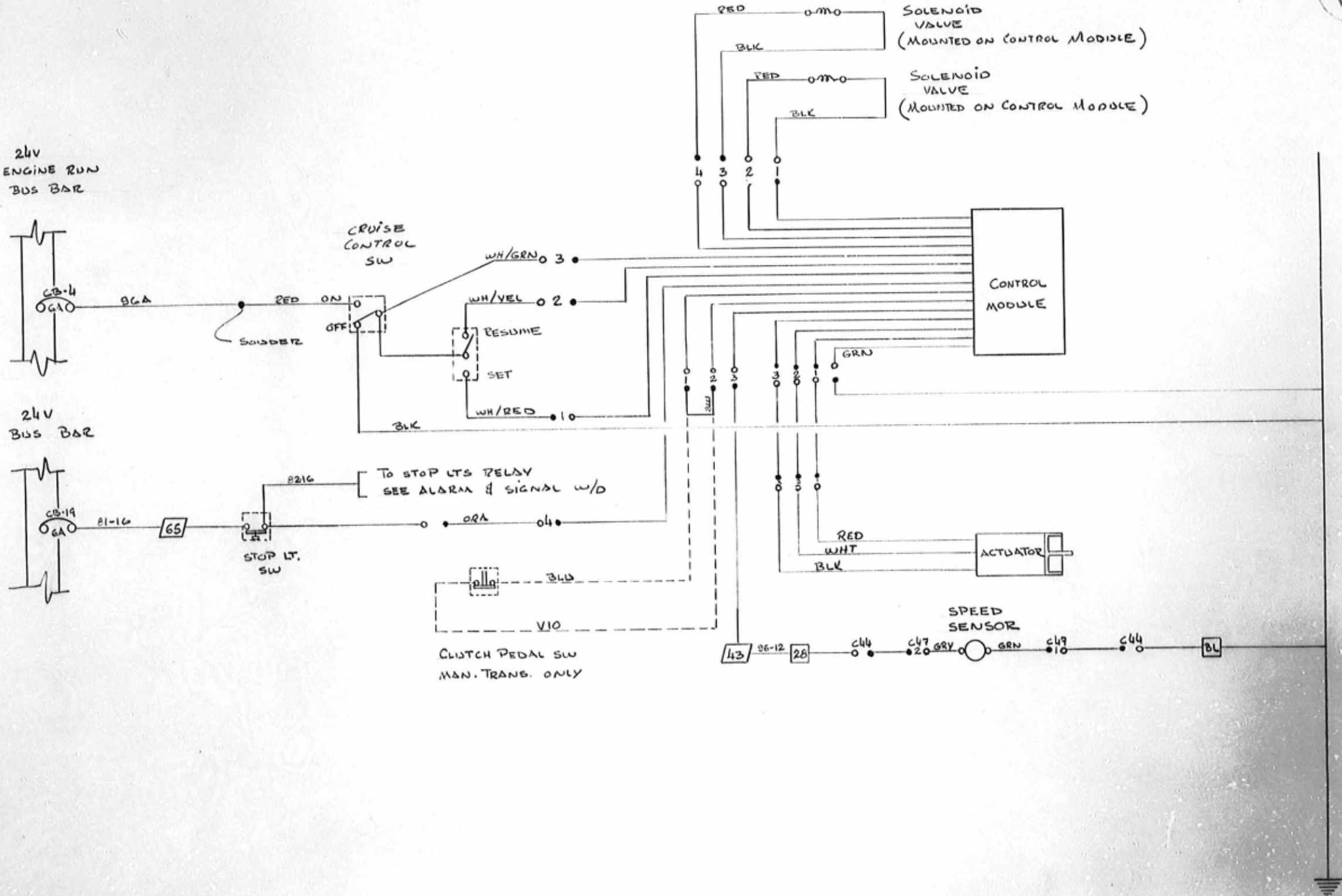
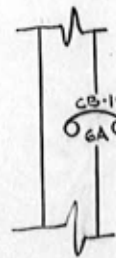
DESS: B.C.	DATE: 24-03-88
VER: <i>lc</i>	APPR: <i>[Signature]</i>
NO: D-060666	C



24V
ENGINE RUN
BUS BAR

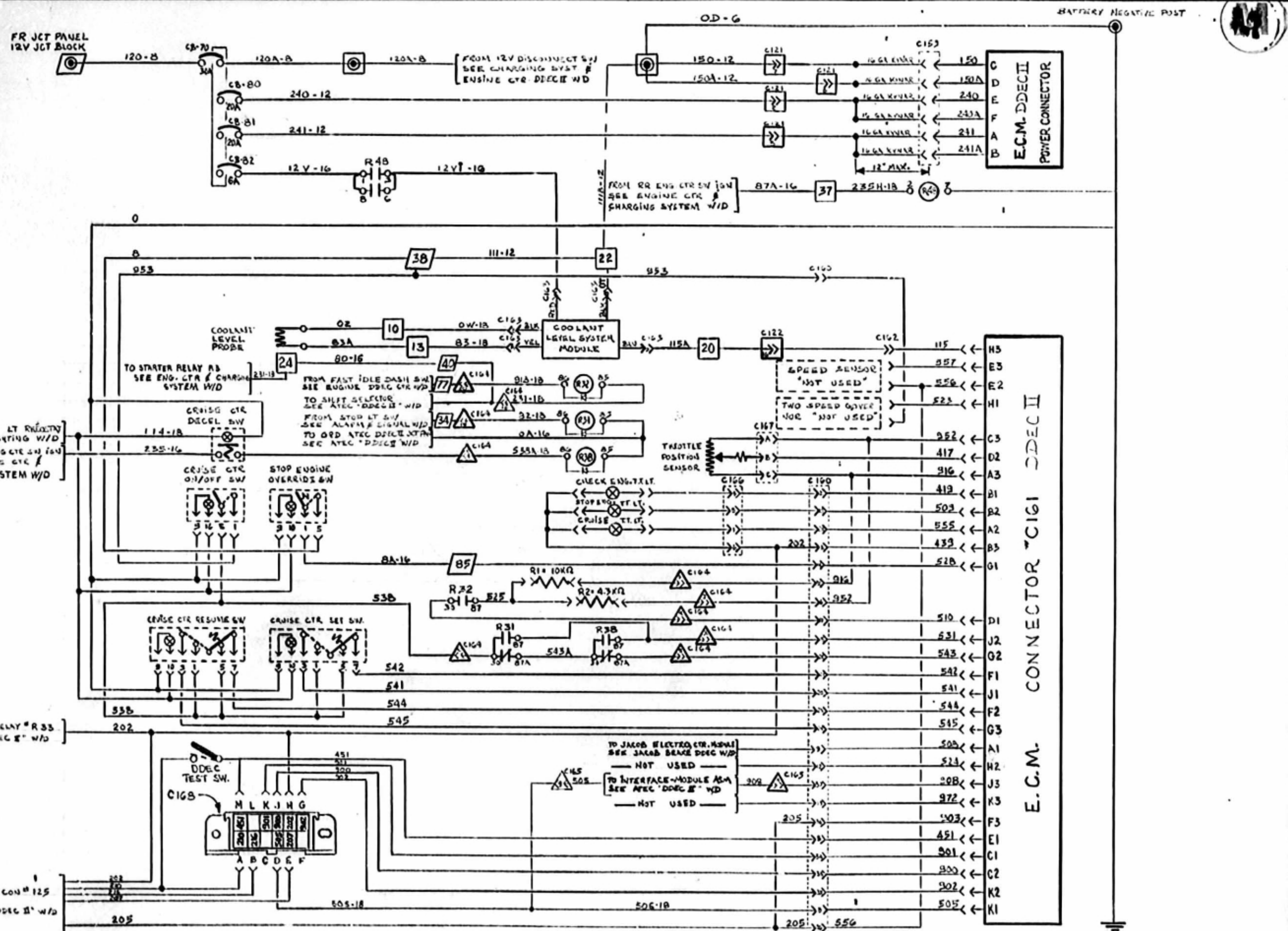


24V
BUS BAR



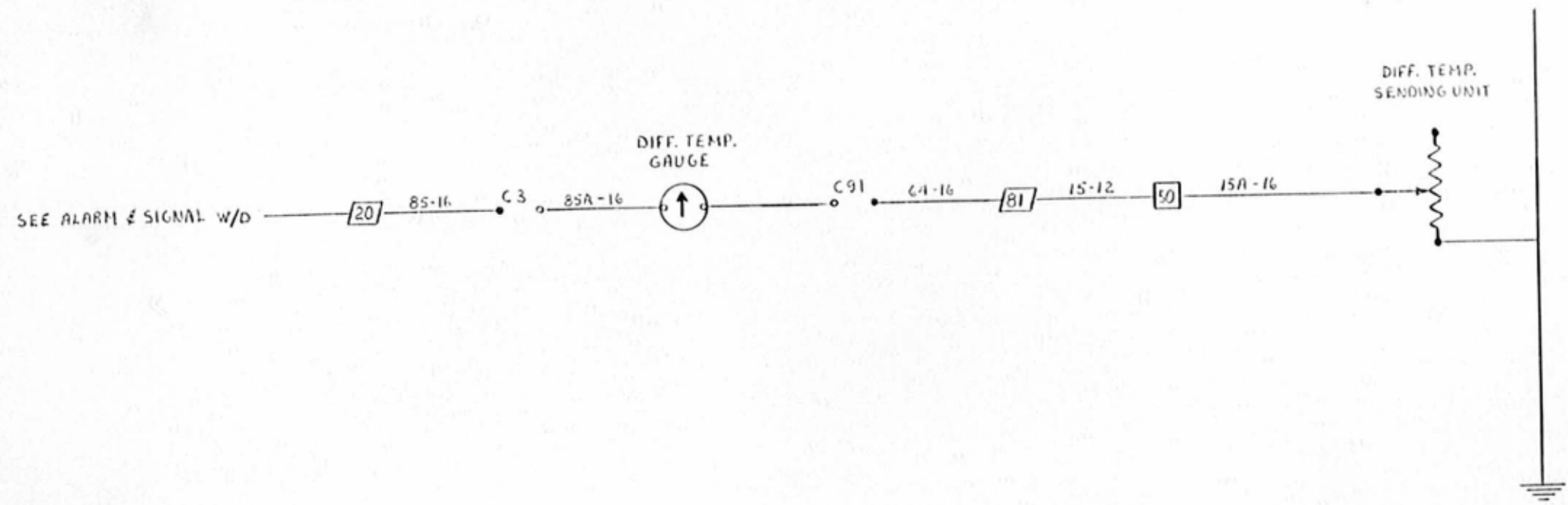
PREVOST		LEGEND	
	FRONT JUNCTION PANEL		BATTERY JUNCTION BLOCK
	REAR JUNCTION PANEL		SINGLE CONNECTOR
	BATTERY COMPARTMENT		DIODE (RECTIFIER)
	CIRCUIT BREAKER		OPTION
	HARNESS CONNECTOR		

BENDIX CRUISE CONTROL WIRING DIAGRAM.
EFF. XL NONE DDEC



LEGEND		REVISION		TITLE		DESS:	DATE:
FRONT JUNCTION PANEL	BATTERY JUNCTION BLOCK	E	90-08	PRIOR TO ASSEMBLY	M/		87-11-26
REAR JUNCTION PANEL	SINGLE CONNECTOR	D	89/05	DDEC TEST SW. ADJUST	M/		
BATTERY COMPARTMENT	SHOE (RECTIFIER)	C	88/05	MISE @ JOUR	M/		
CIRCUIT BREAKER	OPTION	B	88/04	MISE @ JOUR	B.C		
WIRING CONNECTOR		A	88/03	MISE A JOUR	M/		
		ITEM	DATE	REVISION	PAR		
				APPL: J523, J540. PRIOR TO L-684		REF: CAROLSERIE D'AUTOCAR	NO: D-060644

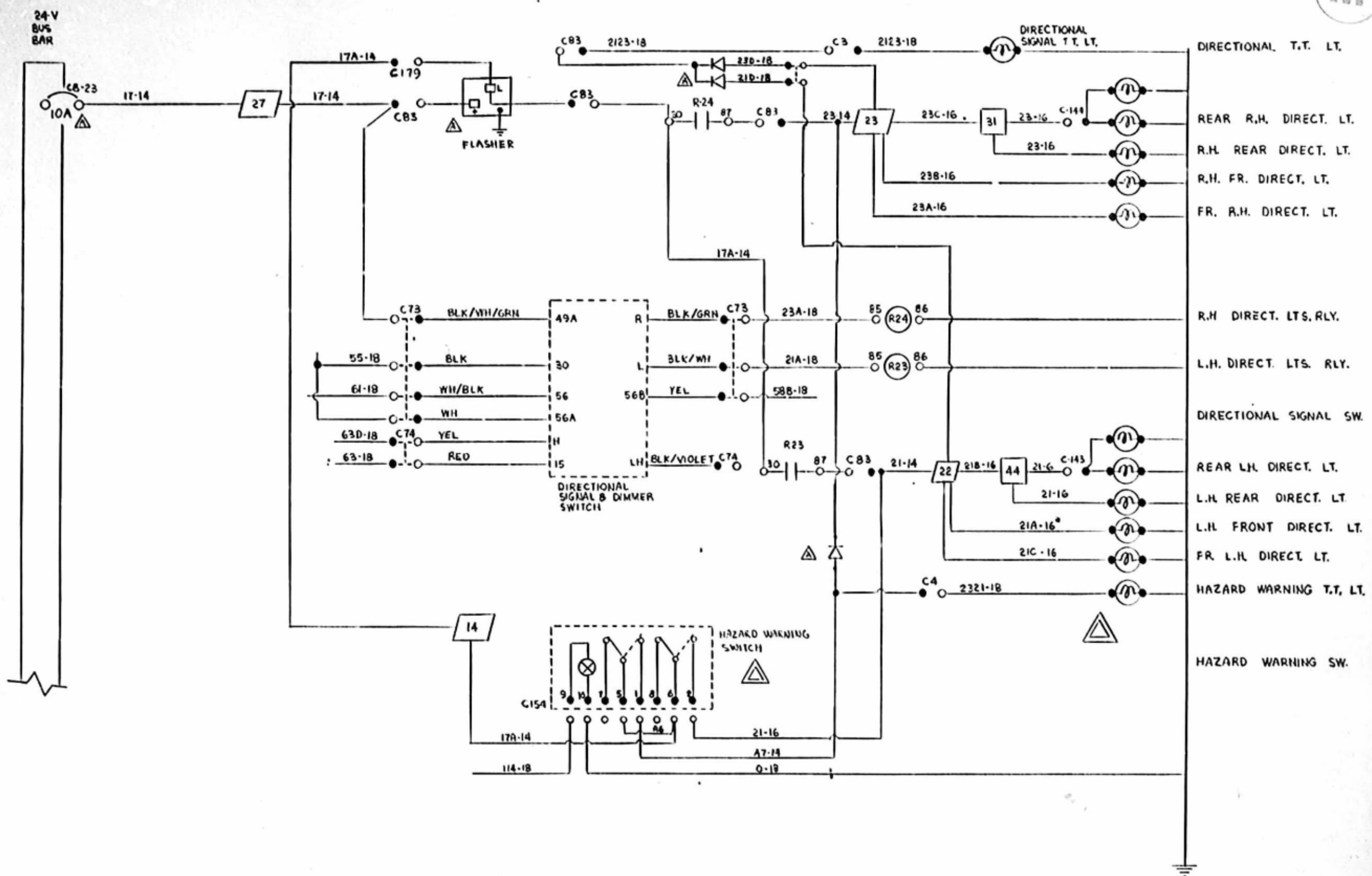
17



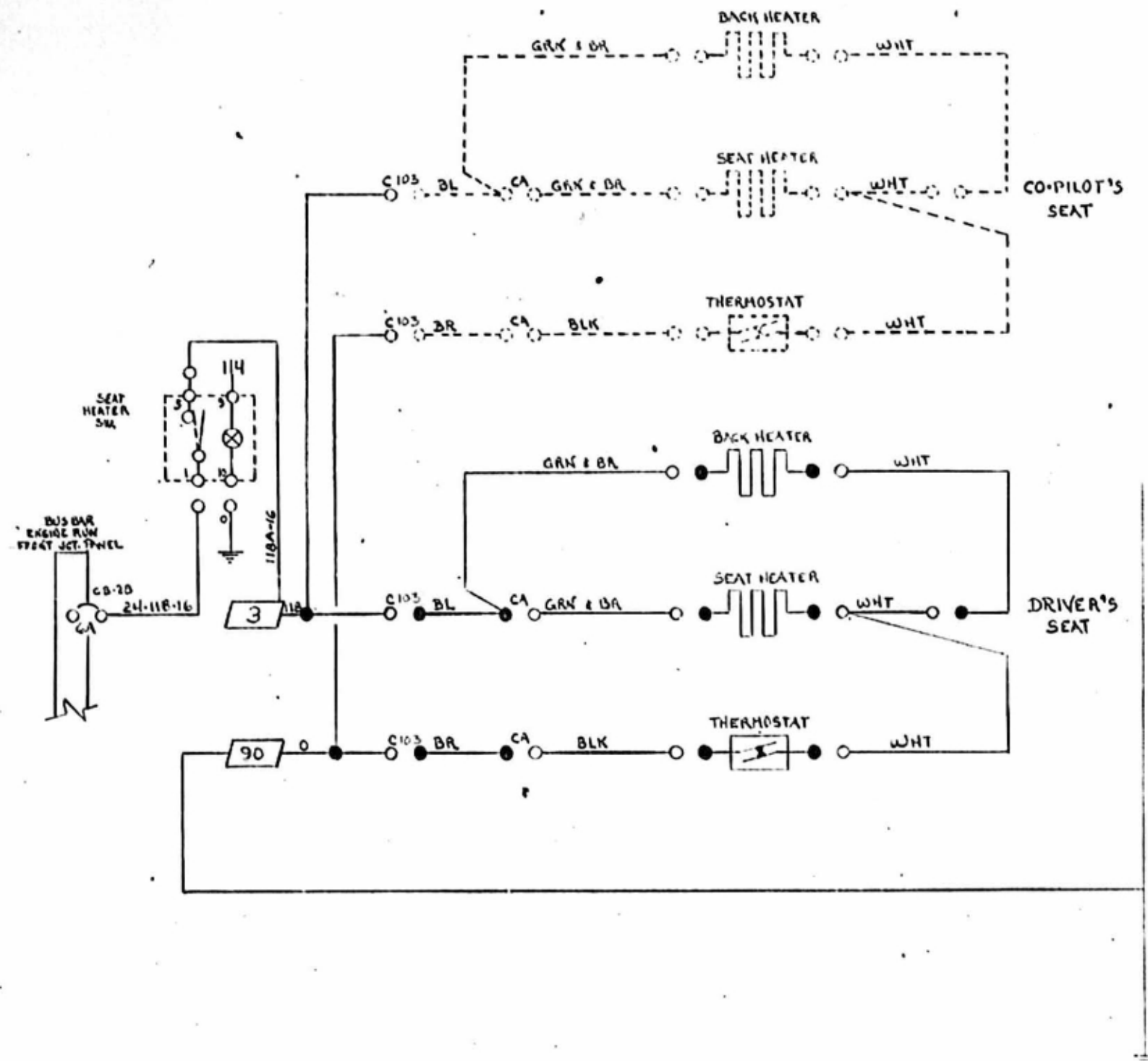
PREVOST		LEGEND	
	FRONT JUNCTION PANEL		BATTERY JUNCTION BLOCK
	REAR JUNCTION PANEL		SINGLE CONNECTOR
	BATTERY COMPARTMENT		DIODE (RECTIFIER)
	CIRCUIT BREAKER		OPTION
	HARNESS CONNECTOR		

DIFFERENTIAL OIL TEMP. WIRING DIAGRAM
 EFF W/E-638 MODEL "XL" PRIOR TO L-706
 DATE: 86-02


D-060519




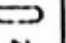

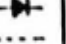





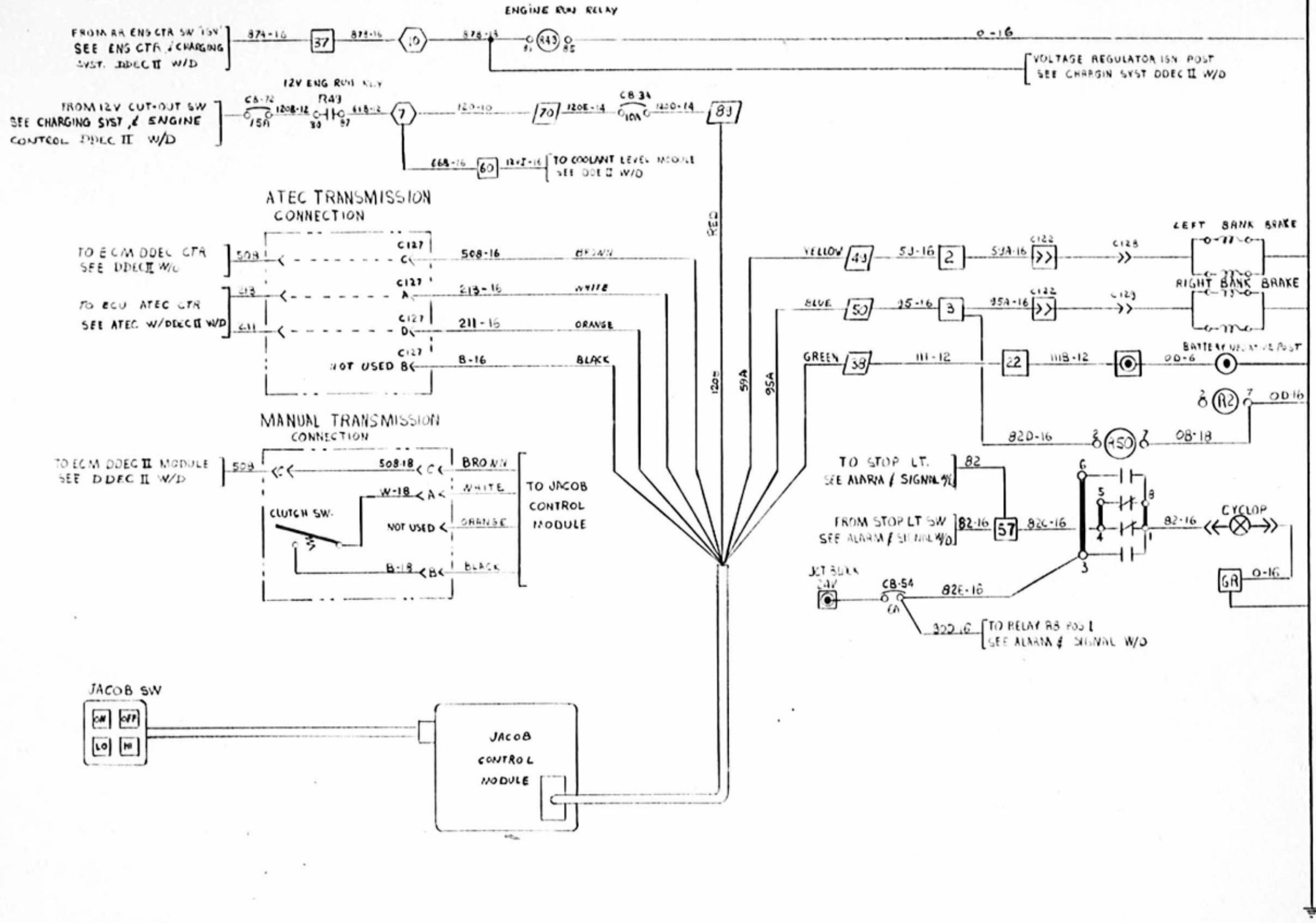
LEGEND FRONT JUNCTION PANEL REAR JUNCTION PANEL BATTERY COMPARTMENT CIRCUIT BREAKER HARNESS CONNECTOR		BATTERY JUNCTION BLOCK SINGLE CONNECTOR DIODE (RECTIFIER) OPTION		TITLE: DIRECTIONAL SIGNAL LT. WIRING DIAGRAM		DESS: <i>M. L. J.</i> VER: - DATE: 87-02 APPR: <i>[Signature]</i>	
FRONT JUNCTION PANEL REAR JUNCTION PANEL BATTERY COMPARTMENT CIRCUIT BREAKER HARNESS CONNECTOR		BATTERY JUNCTION BLOCK SINGLE CONNECTOR DIODE (RECTIFIER) OPTION		B 20-00 PRIORITY TO ADJUST G.L. A 88/0A CD# 14029 AC# 8866 1/2 ITEM DATE REVISION PAR		APPLIEFF, W/H-285 PRIOR TO L-704 REF: NO: D-060607 C	



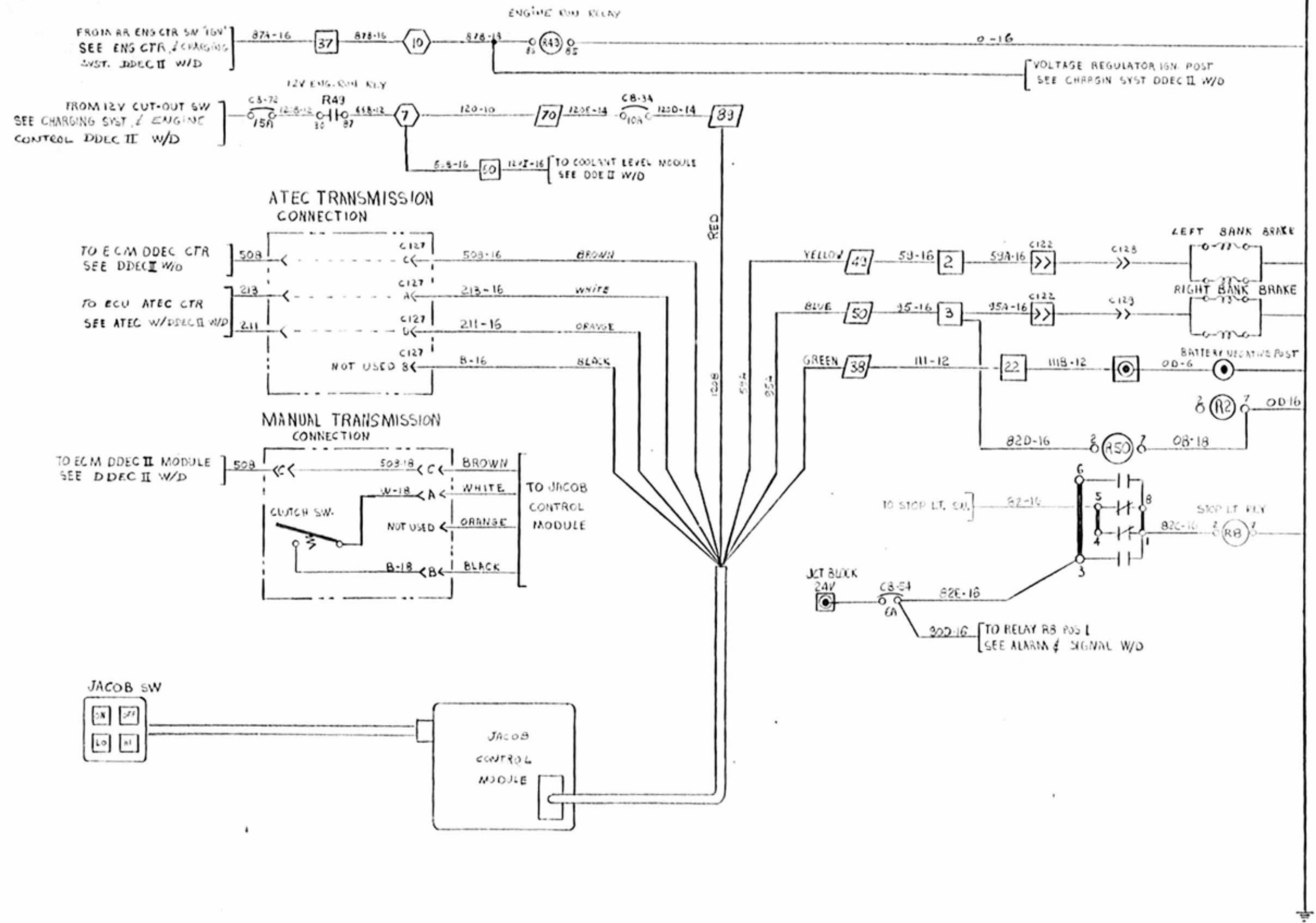
SEAT HEATER WIRING DIAGRAM

EFF. W/E. XL PRIOR TO L-706 

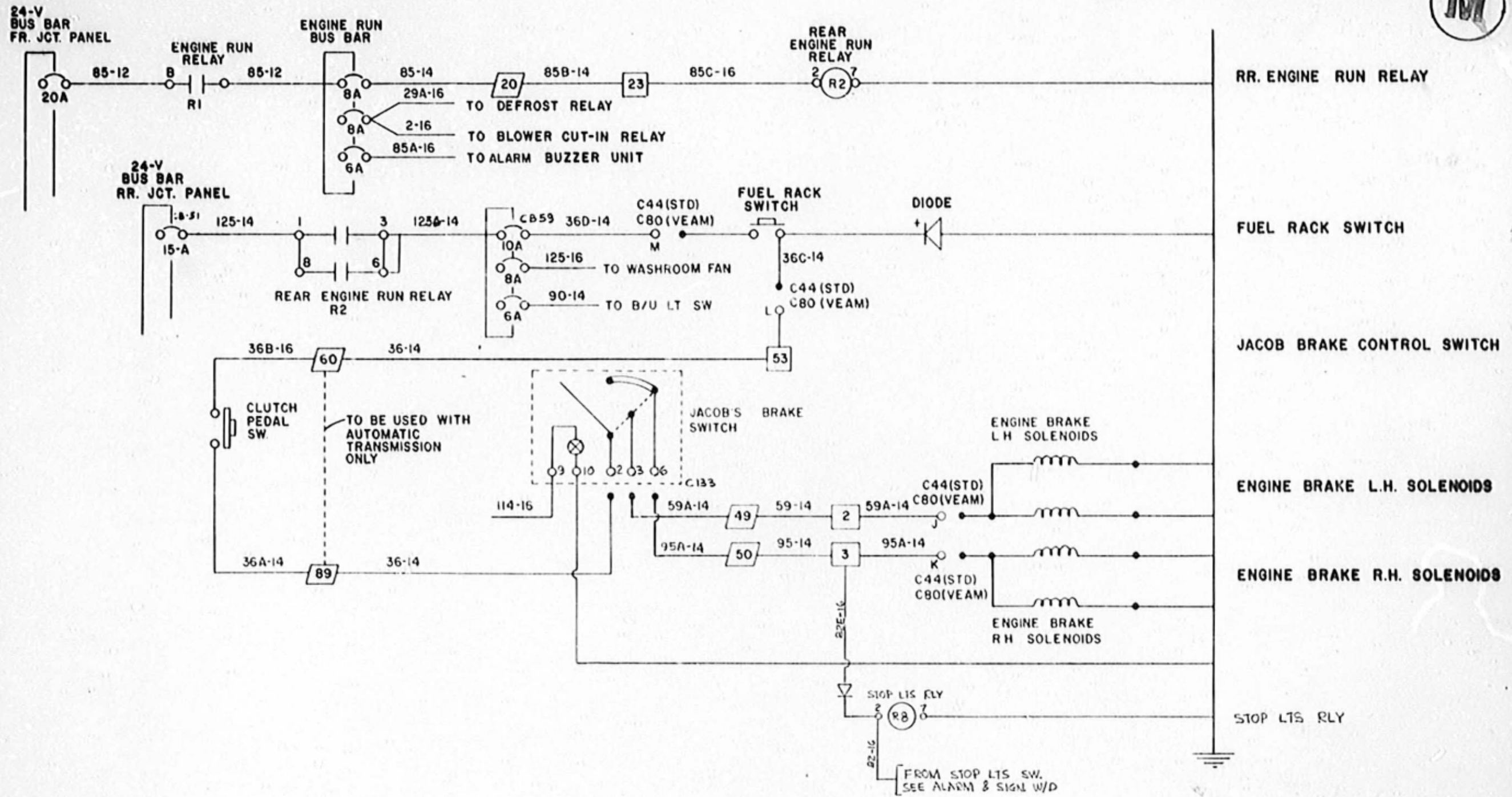
PREVOST		LEGEND	
	FRONT JUNCTION PANEL		BATTERY JUNCTION BLOCK
	REAR JUNCTION PANEL		SINGLE CONNECTOR
	BATTERY COMPARTMENT		DIODE (RECTIFIER)
	CIRCUIT BREAKER		OPTION
	HARNESS CONNECTOR		



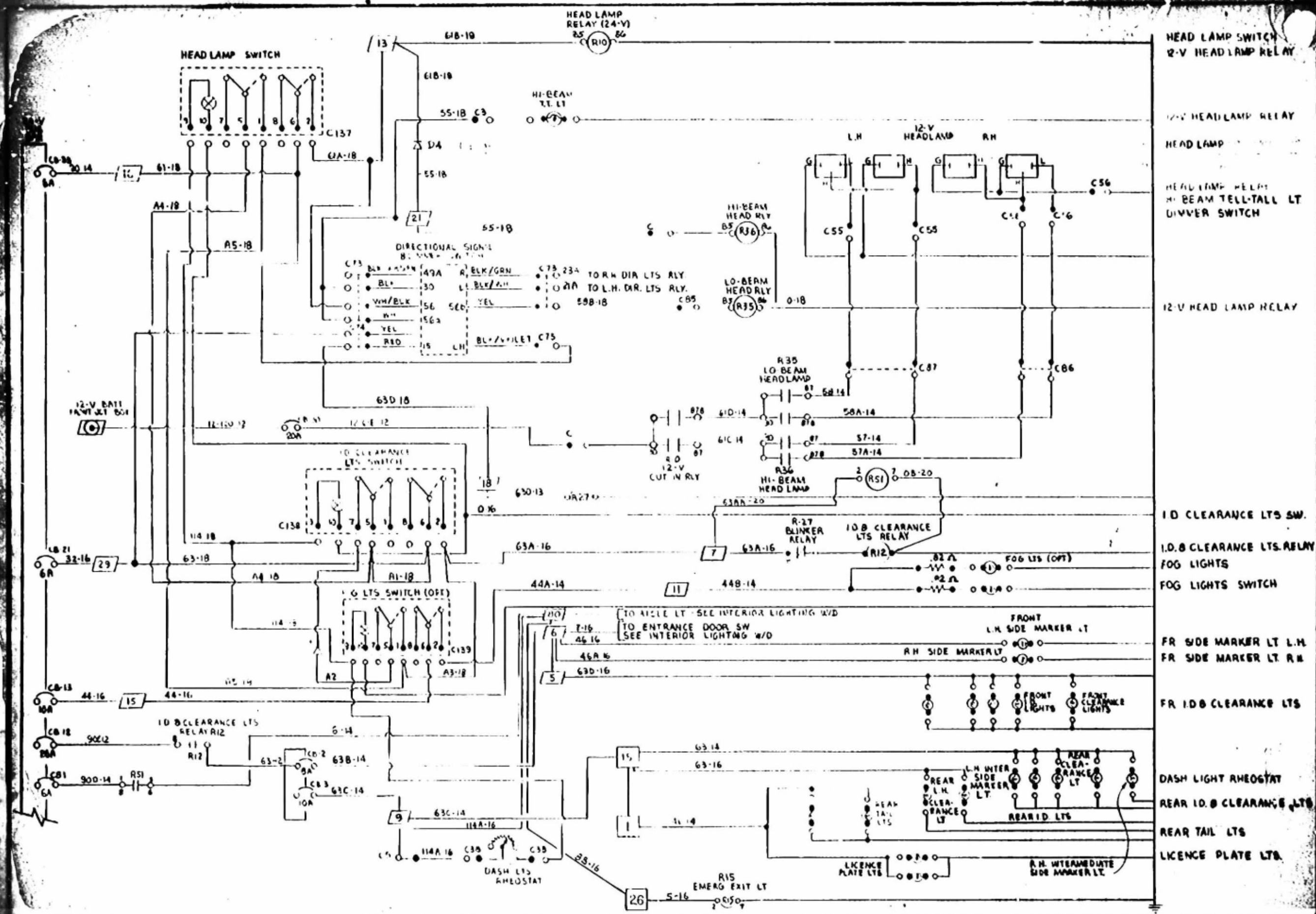
LEGEND 		REVISIONS B 83-03 PRIOR TO L50G AJOUTÉ A 88-07 MISE A JOUR REVISION		TITRE: JACOB "DDEC II" W/D		DESS: BC VER.: C		DATE: 28-03-88 APPR.:	
APPL: K... EFF TO J-726 PRIOR TO L50G				REF: AUTOCAR XL		NO: D-060670		C	



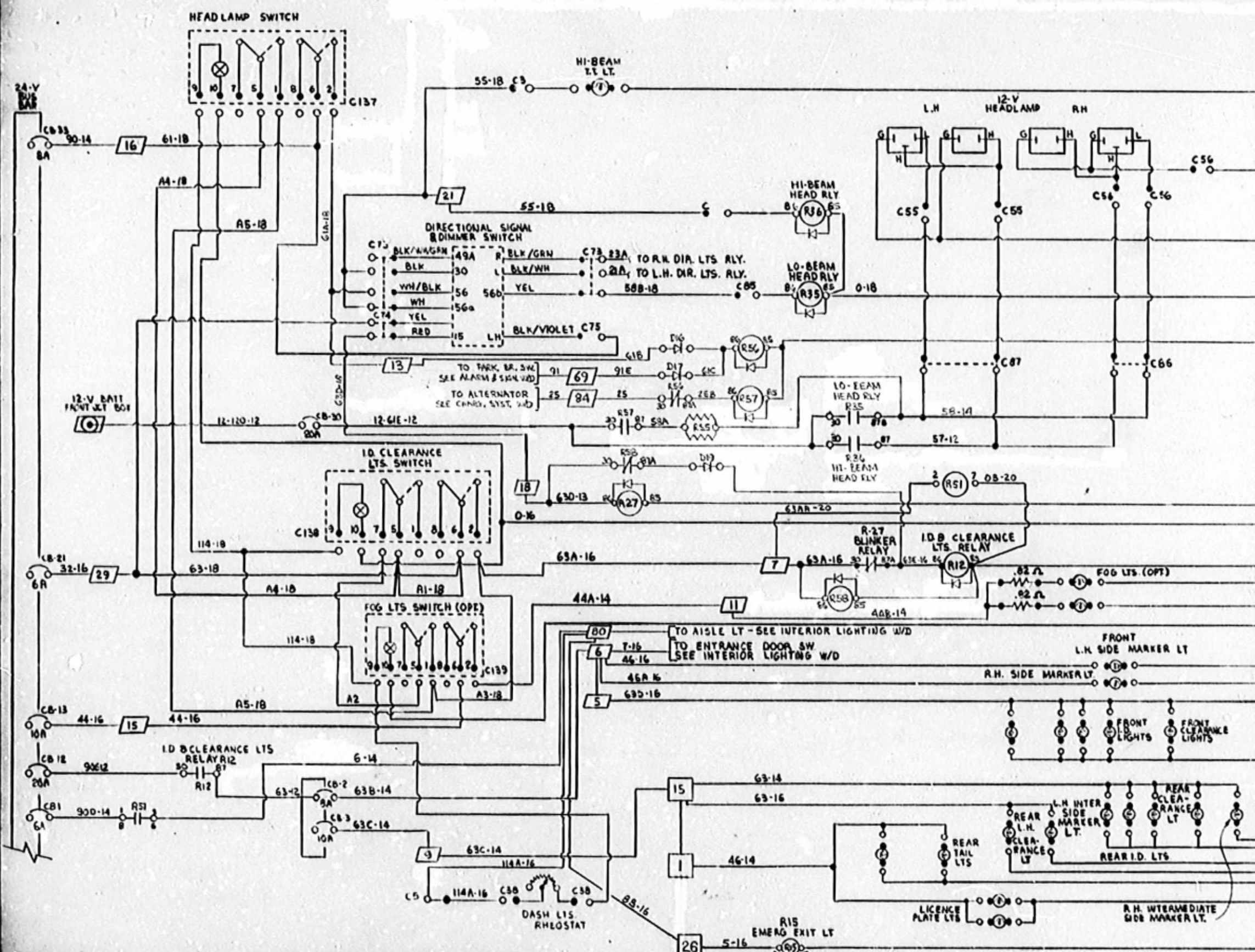
PREVOST		LEGEND		<small>THIS DOCUMENT IS THE PROPERTY OF PREVOST CAR INC. IT IS TO BE KEPT IN THE OFFICE OF THE PERSON TO WHOM IT IS LOANED. IT IS NOT TO BE REPRODUCED OR TRANSMITTED IN ANY FORM OR BY ANY MEANS, ELECTRONIC OR MECHANICAL, INCLUDING PHOTOCOPYING, RECORDING, OR BY ANY INFORMATION STORAGE AND RETRIEVAL SYSTEM, WITHOUT THE EXPRESS WRITTEN PERMISSION OF PREVOST CAR INC.</small>		TITLE: JACOB "DDEC II" W/D DATE: 20-08 REVISION: 1		DESS: BC DATE: 8/10/97	
□ FRONT JUNCTION PANEL □ REAR JUNCTION PANEL □ BATTERY COMPARTMENT □ CIRCUIT BREAKER ○ HARNESS CONNECTOR	○ BATTERY JUNCTION BLOCK ○ SINGLE CONNECTOR -M- DIODE (RECTIFIER) --- OPTION	6 20-08 P1010 TO ABOVE A 09-12 P1012 5000 R50 ABOVE TEM DATE REVISION PAR	APP: EFF. W/L501 PRIOR TO L700 REF: AUTOCAR XL	VER: /C APPR: [Signature]	NO: D-060724 C				



					DESCRIPTION:	DR.-	DATE-89/09
					JACOB-ENGINE BRAKE W/D	CR.-	APPR.-
B	23-08	PRIOR TO ADJUST	G.L.				
A	89-11	DIODE ADJUST & RB	M				
TSM	DATE	REVISION	BY	APPL: EFF. W/L 507	PRIOR TO: L-706	REF: 'XL' NONE DDEC	NO: D-060723



- HEAD LAMP SWITCH
- 2-V HEAD LAMP RELAY
- 12-V HEAD LAMP RELAY
- HEAD LAMP
- HEAD LAMP HELPER
- HI-BEAM TELL-TALL LT
- DIMMER SWITCH
- 12-V HEAD LAMP RELAY
- 10 CLEARANCE LTS SW.
- 10 B CLEARANCE LTS RELAY
- FOG LIGHTS
- FOG LIGHTS SWITCH
- FR SIDE MARKER LT L.H.
- FR SIDE MARKER LT R.H.
- FR 10 B CLEARANCE LTS
- DASH LIGHT RHEOSTAT
- REAR 10 B CLEARANCE LTS
- REAR TAIL LTS
- LICENCE PLATE LTS



- HEAD LAMP SWITCH
- HI-BEAM TELL-TALL LT. HEAD LAMP
- HEAD LAMP RELAY DIMMER SWITCH
- 12-V HEAD LAMP RELAY
- I.D. CLEARANCE LTS SW.
- I.D.B. CLEARANCE LTS.RELAY
- FOG LIGHTS
- FOG LIGHTS SWITCH
- FR. SIDE MARKER LT L.H.
- FR. SIDE MARKER LT R.H.
- FR. I.D.B. CLEARANCE LTS
- DASH LIGHT RHEOSTAT
- REAR I.D.B. CLEARANCE LTS
- REAR TAIL LTS
- LICENCE PLATE LTS.

LEGEND

○	SWITCH
—	WIRE
—○—	WIRE WITH SWITCH
—○—○—	WIRE WITH SWITCH AND BULB
—○—○—○—	WIRE WITH SWITCH AND BULBS
—○—○—○—○—	WIRE WITH SWITCH AND BULBS AND RELAY
—○—○—○—○—○—	WIRE WITH SWITCH AND BULBS AND RELAY AND BULB

ITEM	DATE	REVISION	PAR
B	91-01	EMERGENCY DEEG DASH	17
A	90-08	FRONT TO ADJUST	22

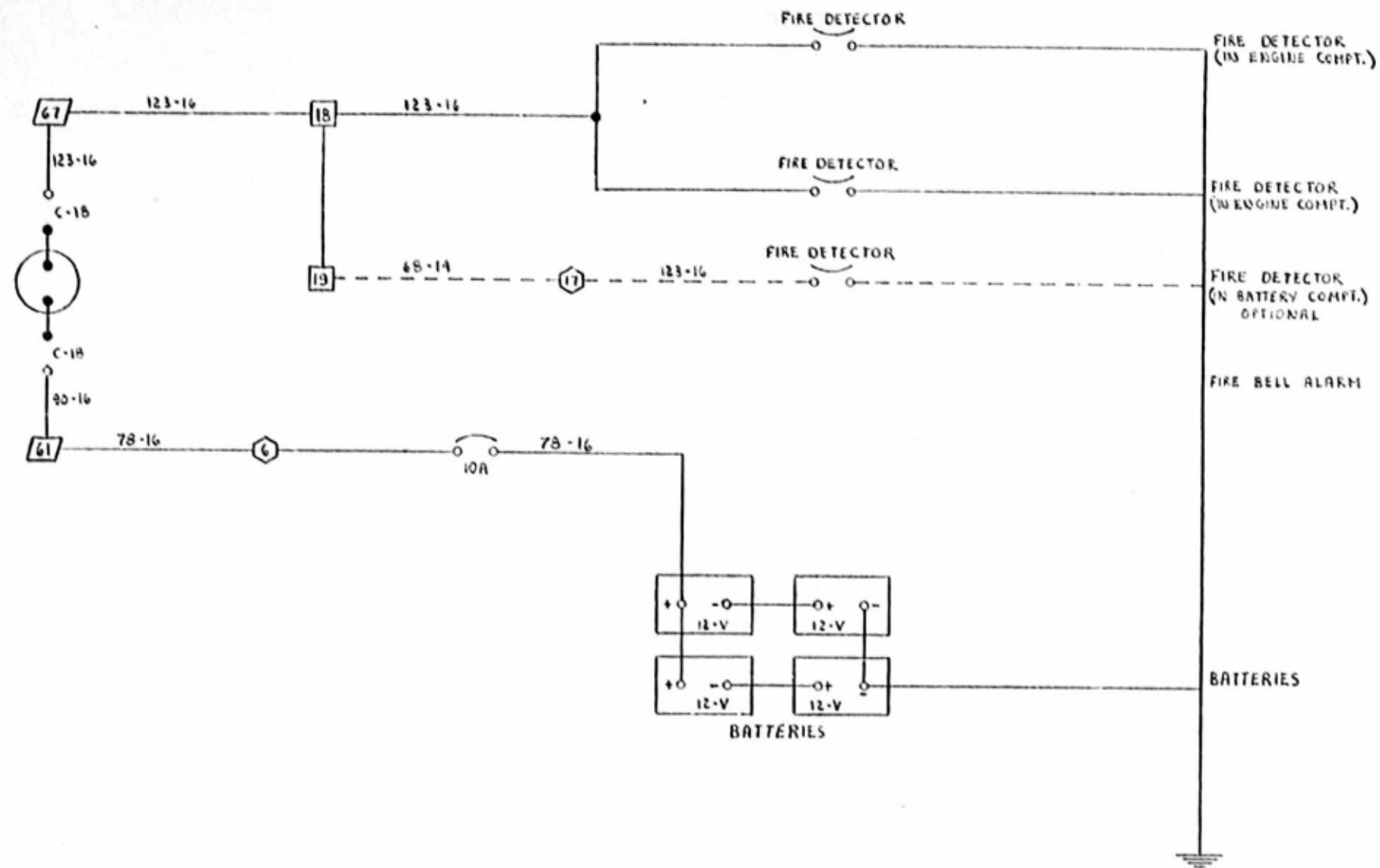
TITRE: EXTERIOR LIGHTING WIRING DIAGRAM (DAY LTS.)

APPLI EFF. W/L 507, PROR TO L-706 REF: AUTOCAR XL

DESS: M.L.S DATE: 89/09

VER: [Signature] APPR: [Signature]

NO: D-060716 C

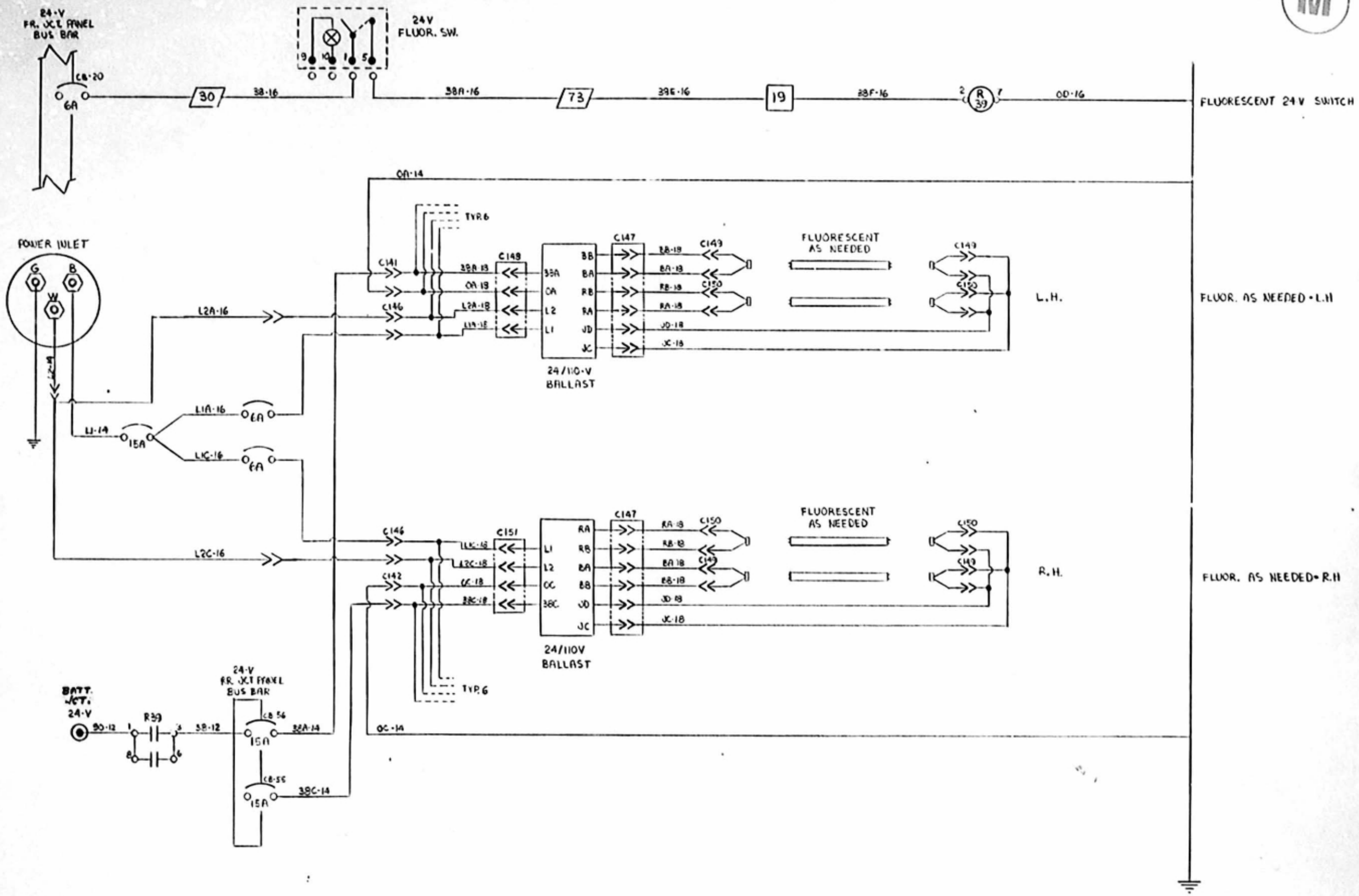


PREVOST		LEGEND	
	FRONT JUNCTION PANEL		BATTERY JUNCTION BLOCK
	REAR JUNCTION PANEL		SINGLE CONNECTOR
	BATTERY COMPARTMENT		DIODE (RECTIFIER)
	CIRCUIT BREAKER		OPTION
	HARNESS CONNECTOR		

112 (C-1)

FIRE ALARM WIRING DIAGRAM
 EFF. W/E-730 P. 104-84
 DATE 1-04-84

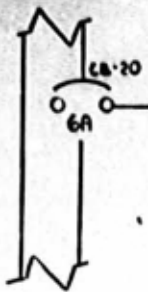
D-060442



LEGEND		TITLE:		DESS: M.d.f	DATE: 87-02
	FRONT JUNCTION PANEL	B	90-08 PRIORITY TO ADJUST	VER.-	APPR.-
	REAR JUNCTION PANEL	A	88/02		
	BATTERY COMPARTMENT		DEVIANT ->		
	CIRCUIT BREAKER	ITEM	DATE	REVISION	PAR
	HARNESS CONNECTOR				
	BATTERY JUNCTION BLOCK				
	SINGLE CONNECTOR				
	DIODE (RECTIFIER)				
	OPTION				
APPL: EFF. W/11-290 PRIOR TO L-706 REF: 'XL'				NO: D-060611	C



64-V
FR. JCT. PANEL
BUS BAR



24V
FLUOR. SW.

30

38-16

38A-16

73

39E-16

19

38F-16

2 R 39

30-16

FLUORESCENT 24-V SWITCH

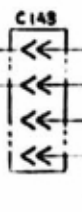
0A-14

TYR 6

C141

38A-18

0A-18



24/110-V
BALLAST

C147

38-18

BA-18

RB-18

RA-18

JD-18

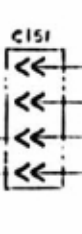
JC-18

FLUORESCENT
AS NEEDED



L.H.

FLUOR. AS NEEDED L.H.



24/110V
BALLAST

C147

RA-18

RB-18

BA-18

BB-18

JD-18

JC-18

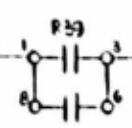
FLUORESCENT
AS NEEDED



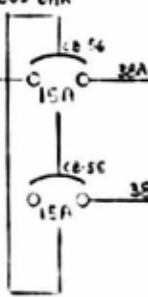
R.H.

FLUOR. AS NEEDED R.H.

BATTERY
JUNCTION
24-V



24-V
R.R. JCT. PANEL
BUS BAR



0C-14

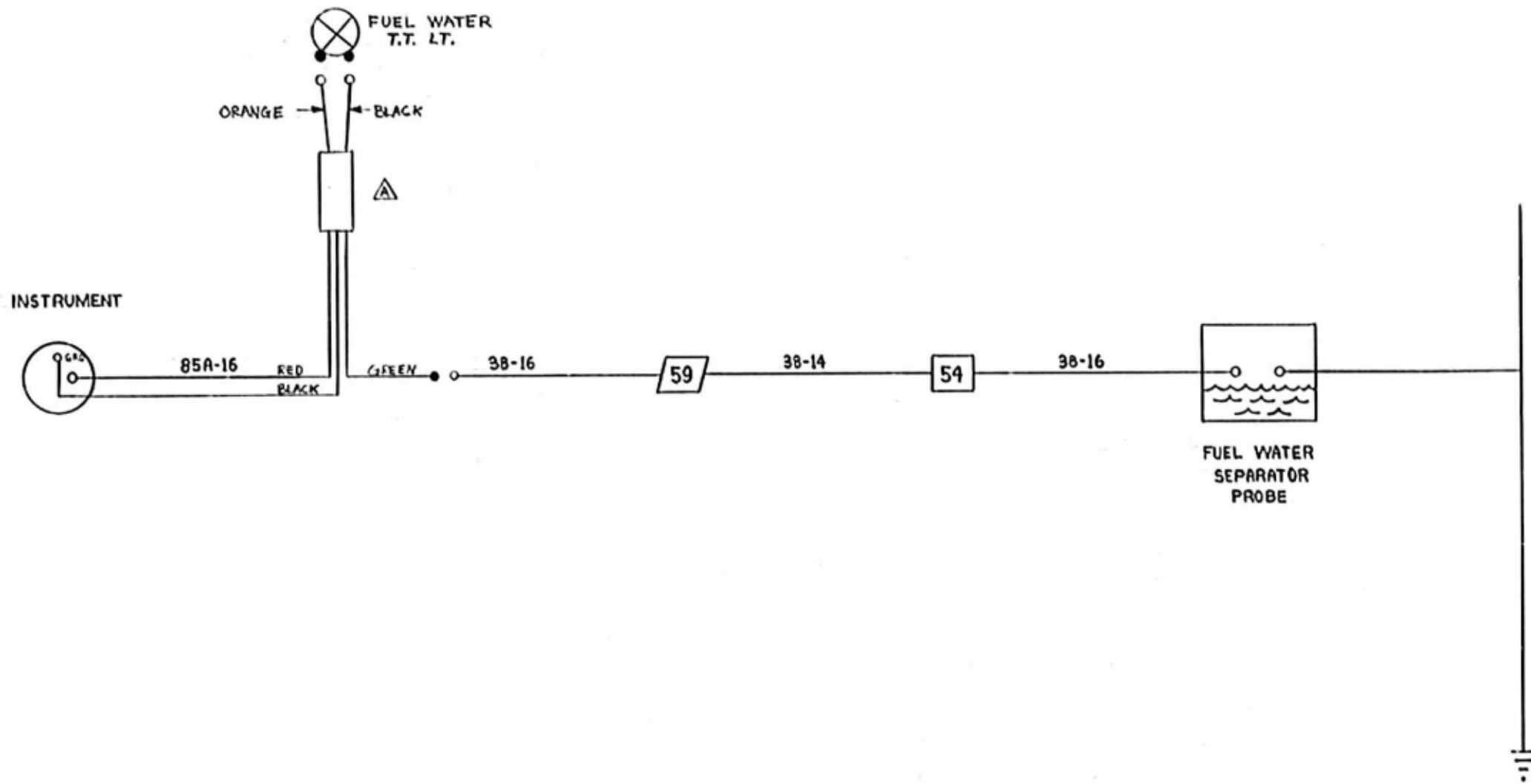
TYR 6

0C-18

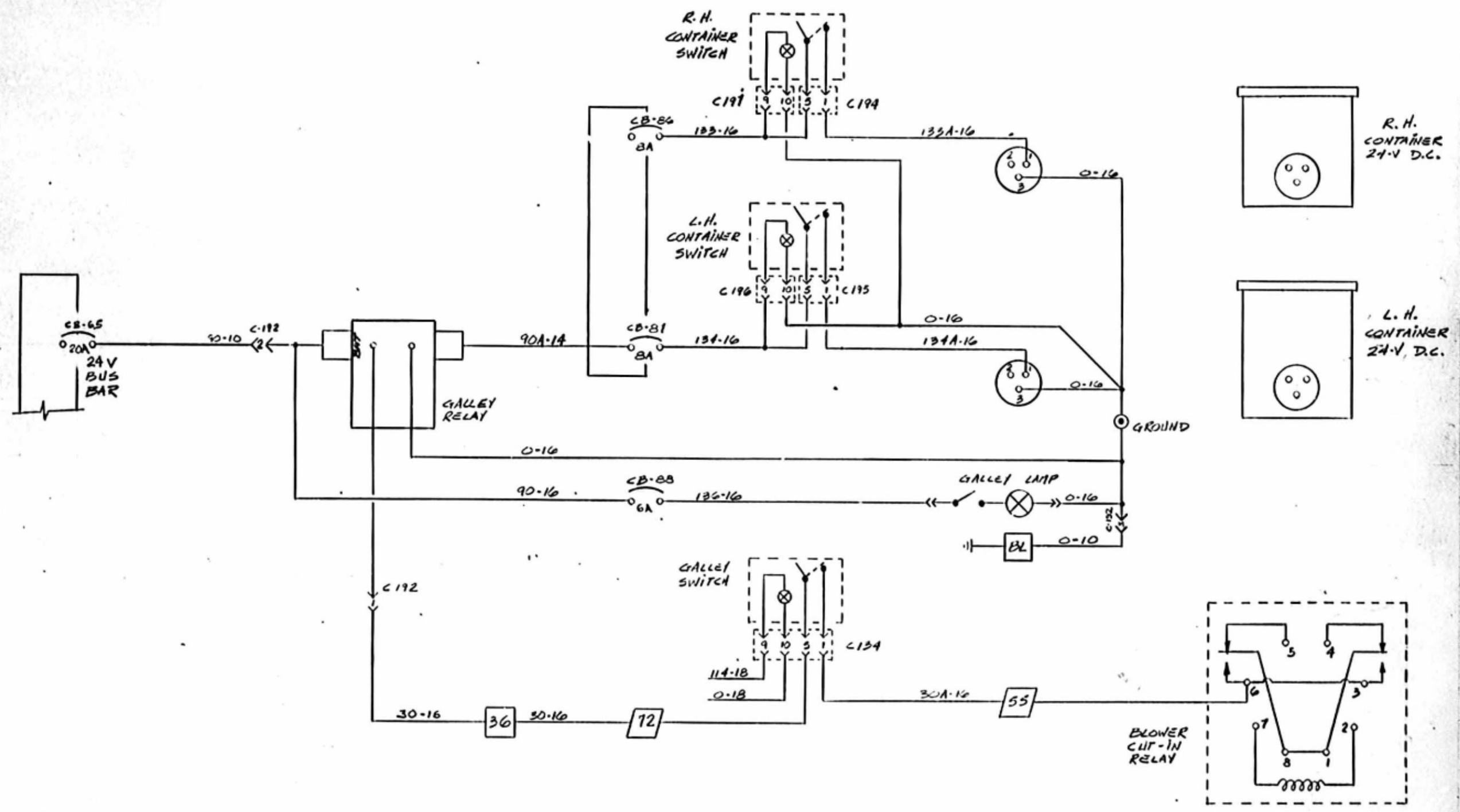
38C-18

0C-14

LEGEND				TITLE: FLUORESCENT 24V W/D		DESIGN: M.d.f		DATE: 87-02	
	FRONT JUNCTION PANEL		BATTERY JUNCTION BLOCK			VER.-		APPR.-	
	REAR JUNCTION PANEL		SINGLE CONNECTOR						
	BATTERY COMPARTMENT		DIODE (RECTIFIER)						
	CIRCUIT BREAKER		OPTION						
	HARNESS CONNECTOR			APPL: EFF. W/H-290 PRIOR TO L-706		REF: '31'		NO: D-060612	
		A 90-08 PRIOR TO ADJUST		G.L.				C	
ITEM	DATE	REVISION		PAR					

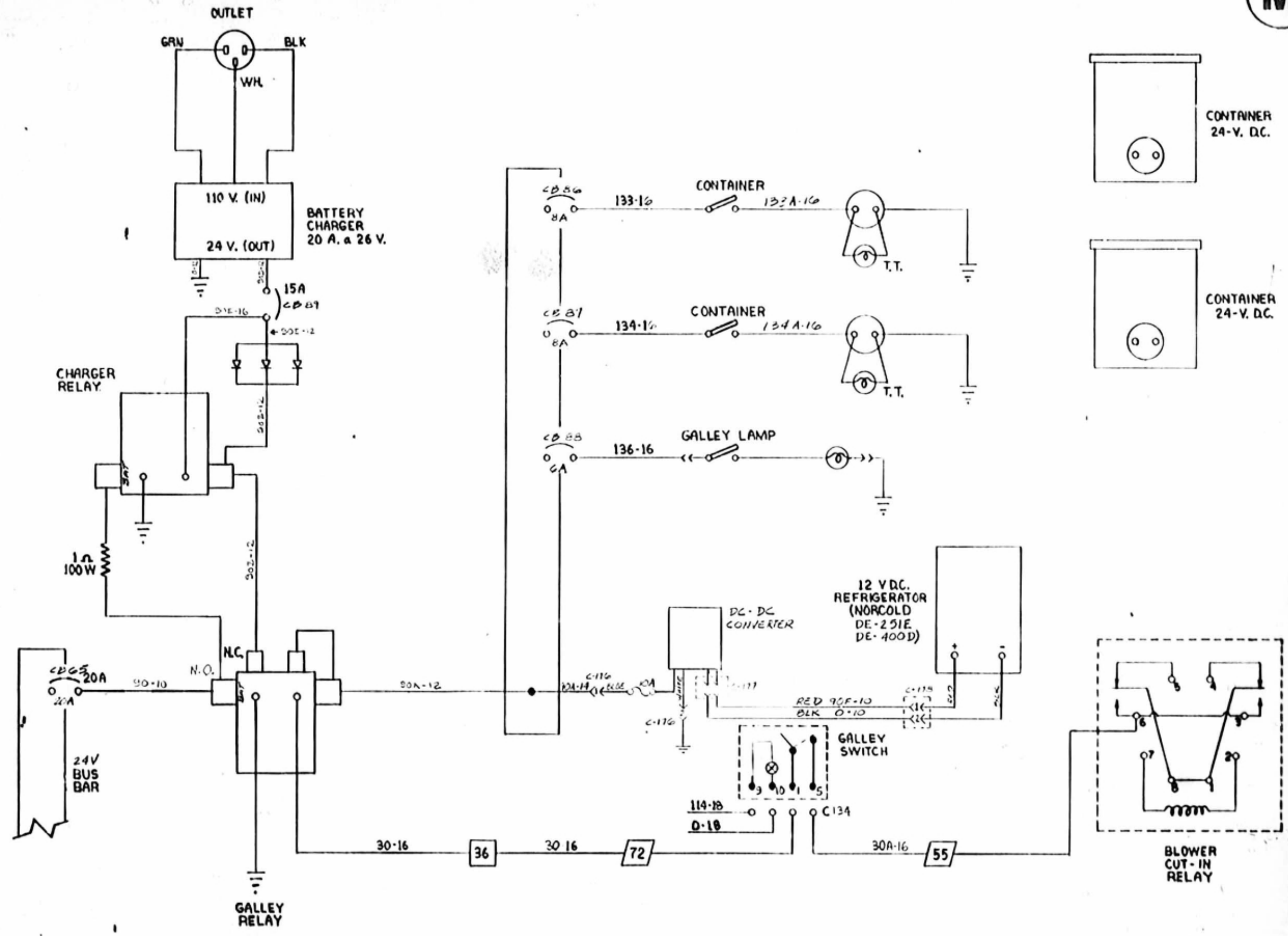


PRIVOSTA FRONT JUNCTION PANEL REAR JUNCTION PANEL BATTERY COMPARTMENT CIRCUIT BREAKER HARNESS CONNECTOR		LEGEND BATTERY JUNCTION BLOCK SINGLE CONNECTOR DIODE (RECTIFIER) OPTION		<small>REPRODUCED BY THE PROPERTY OF PRIVOSTA CAN INC. THIS DOCUMENT IS THE SOLE PROPERTY OF PRIVOSTA CAN INC. AND IS NOT TO BE REPRODUCED, COPIED, OR TRANSMITTED IN ANY FORM OR BY ANY MEANS, WITHOUT THE EXPRESS WRITTEN PERMISSION OF PRIVOSTA CAN INC.</small>		TITLE: FUEL WATER ALARM WIRING DIAGRAM		DESS: M.L. DATE: 86/06/20	
C 91-01 ENLEVER "BUS SHELL" DRAUS LA CASE ABE. DT		B 90-02 PRIOR TO ASOUTE GL		A 88/04 T.T MODULE ADDED M/		APPL: EFF. W/E-652 PRIOR TO L-706 REF: "XL"		NO: D-060491 C	
ITEM	DATE	REVISION	PAR						

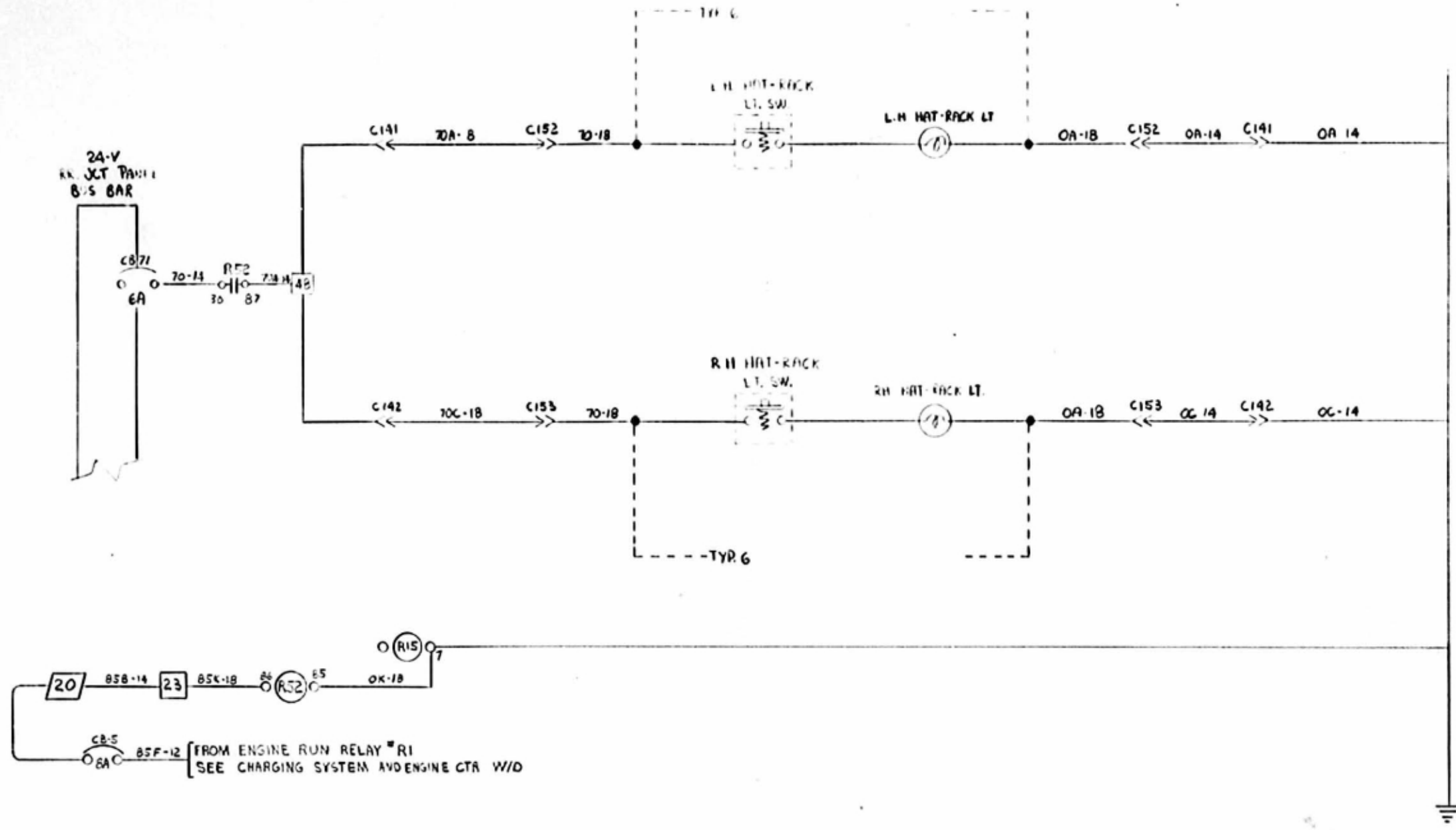


LEGEND		TITRE: GALLEY WIRING DIAGRAM				DESS: AB	DATE: 88.05
FRONT JUNCTION PANEL	BATTERY JUNCTION BLOCK	ITEM	DATE	REVISION	PAR	VER: KC	APPR: [Signature]
REAR JUNCTION PANEL	SINGLE CONNECTOR	A	9008	PRIOR TO AJOUTÉ	G.L		
BATTERY COMPARTMENT	DIODE (RECTIFIER)						
CIRCUIT BREAKER	OPTION						
WIRING CONNECTOR							
APPL: L-706 EFi. W/ J-634						REF: SERIE MINI-CHEF SANS FRIGO	NO: D-060683
							C

M

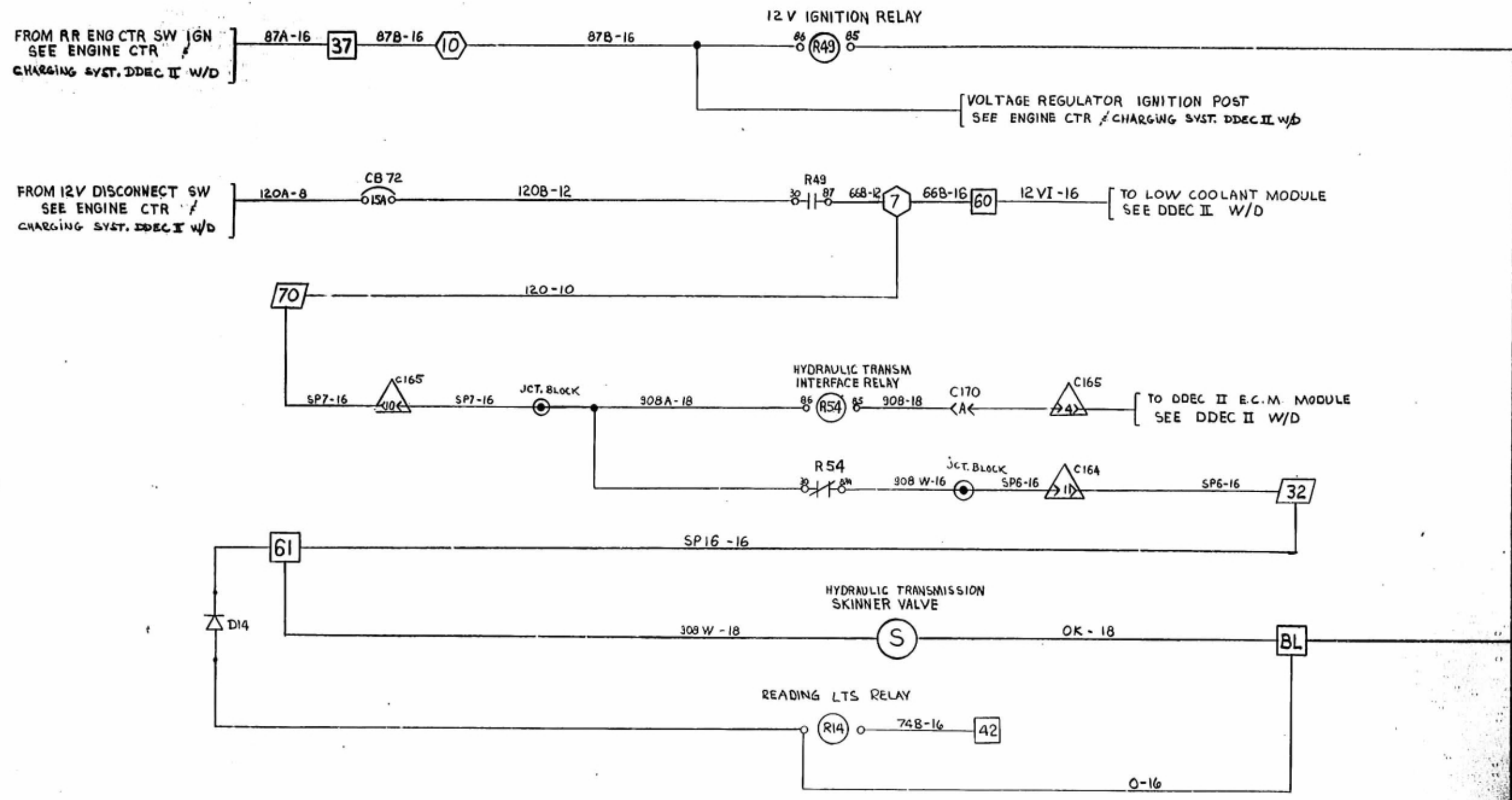


LEGEND		TITLE:		DESS: A.B.		DATE: 83-04	
	FRONT JUNCTION PANEL	GALLEY WIRING DIAGRAM		VER.:		APPR.:	
	REAR JUNCTION PANEL	APPL: PRIOR TO L-706 EFF.W./J-430 REF: 12-V. D.C.		NO: D-0606/11		C	
	BATTERY COMPARTMENT	REV: 5/78		PAR:			
	CIRCUIT BREAKER	ITEM DATE:					
	HARNESS CONNECTOR	REV: 5/78					
	BATTERY JUNCTION BLOCK						
	SINGLE CONNECTOR						
	SHIELD (NUT/PAN)						
	OPTION						

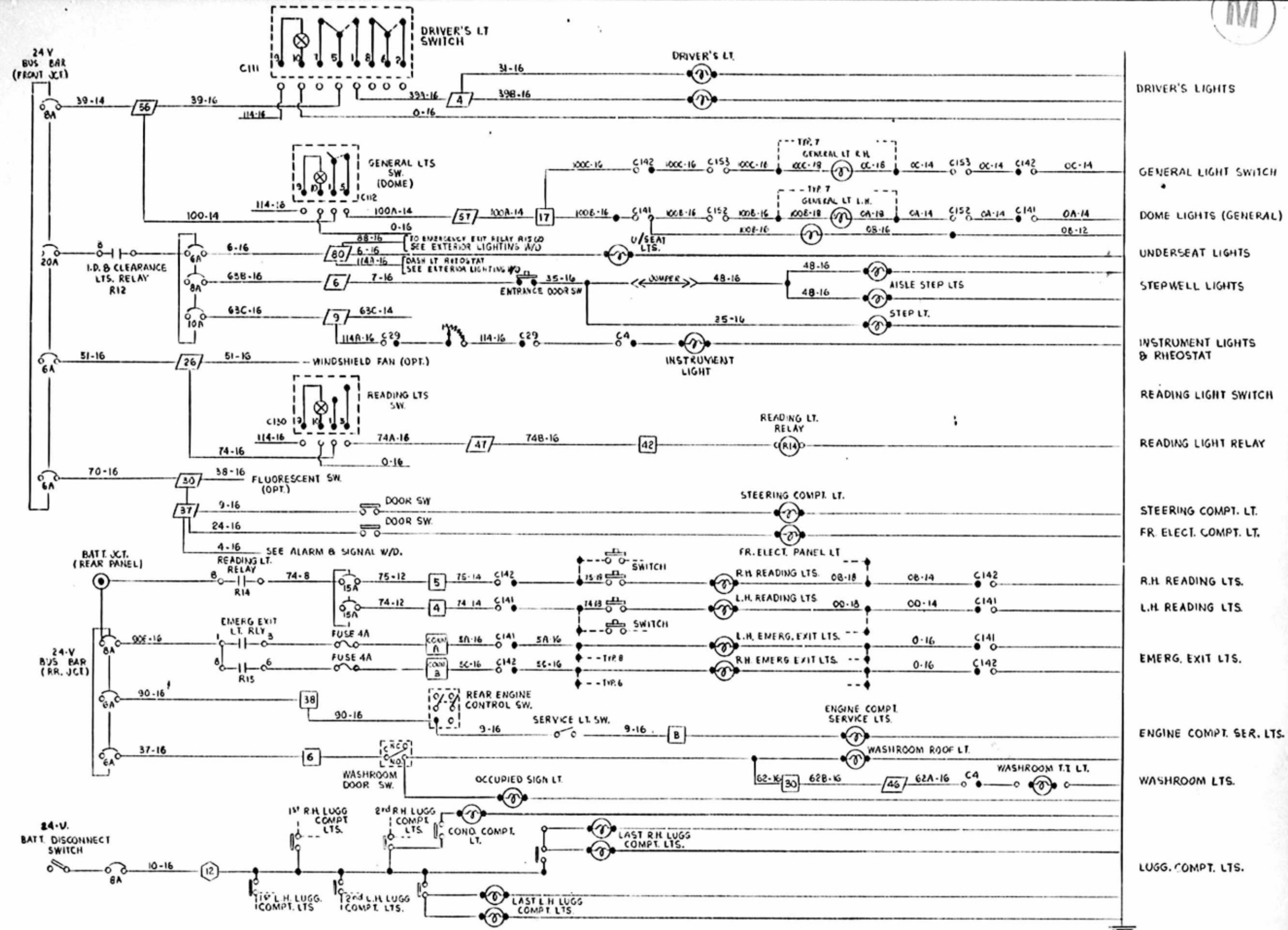


LEGEND □ FRONT JUNCTION PANEL □ REAR JUNCTION PANEL □ BATTERY COMPARTMENT □ CIRCUIT BREAKER □ HARNESS CONNECTOR ○ BATTERY JUNCTION BLOCK ○ SINGLE CONNECTOR □ DIODE (RECTIFIER) --- OPTION		TITLE: HAT-RACK LIGHTING W/D				CLASS: M J.f DATE: 87-02
FROM ENGINE RUN RELAY "R1 SEE CHARGING SYSTEM AND ENGINE CTR W/D		B 20-08 A 88-03	PRIORITY TO ROUTE K-733 DEVIANT J726	G.L B.C	VER: [Signature] APPR: [Signature]	
		REF: "XL"	APPL: J613, J615, J617, J726 PRIOR TO 706		PART: D-060684	

M



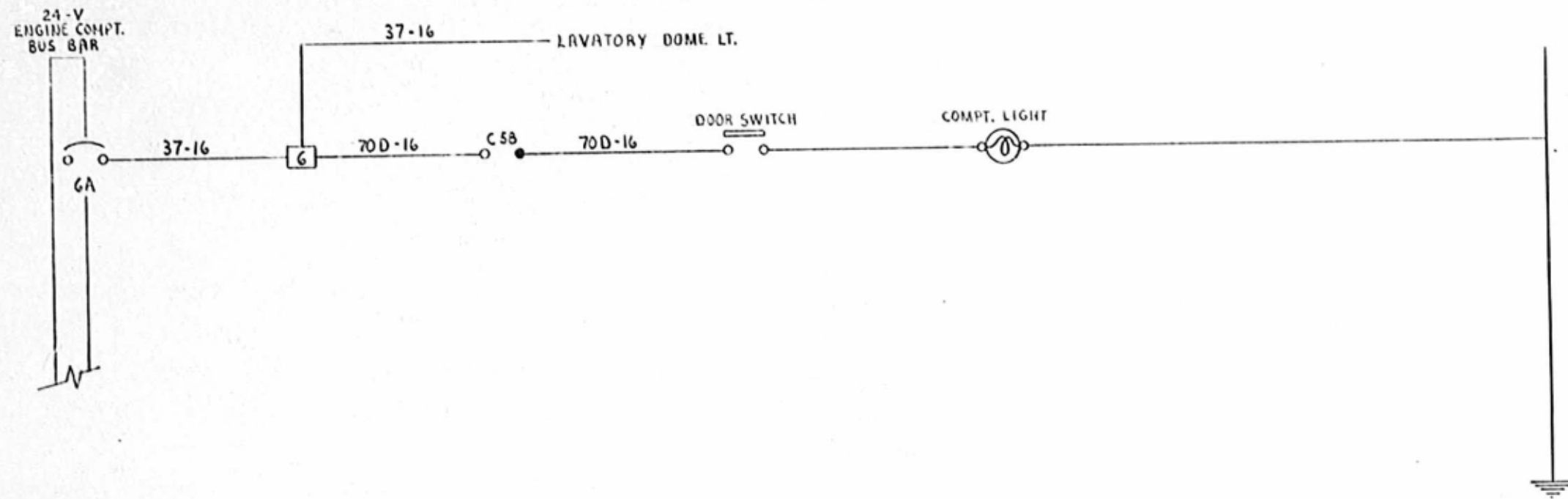
LEGEND JUNCTION BLOCK SINGLE CONNECTOR (FOR MULTIPLE) WIRE		REVISIONS B 89-01 DIA ACQUITE A 88-03 R54 STAY RED. MODTER J326		TITRE: HYDRAULIC TRANSMISSION DDEC II W/D		DESS: B.C		DATE: 28-03-88	
EFF. J613, J615, J617, J-726 K...		APPL:		REF: AUTOCAR XL		VER.: LC		APPR.:	
						NO: D-060668		C	



- DRIVER'S LIGHTS
- GENERAL LIGHT SWITCH
- DOME LIGHTS (GENERAL)
- UNDERSEAT LIGHTS
- STEPWELL LIGHTS
- INSTRUMENT LIGHTS & RHEOSTAT
- READING LIGHT SWITCH
- READING LIGHT RELAY
- STEERING COMPT. LT.
- FR. ELECT. COMPT. LT.
- R.H. READING LTS.
- L.H. READING LTS.
- EMERG. EXIT LTS.
- ENGINE COMPT. SER. LTS.
- WASHROOM LTS.
- LUGG. COMPT. LTS.

LEGEND		TITRE:		DESS: <i>Md.J</i>	DATE: 87-02
	FRONT JUNCTION PANEL	C	20-08	PRUSR TO ABOVE	SL
	REAR JUNCTION PANEL	B	88-03	MISE A JOUR	BC
	BATTERY COMPARTMENT	A	88/05	LANCE DC 88866	7/
	CIRCUIT BREAKER	ITEM	DATE	REVISION	PAR
	HARNESS CONNECTOR	APPL: EFF. W/J-639 PRIOR TO L-706		REF: "XL"	
	BATTERY JUNCTION BLOCK	NO: D-060678		C	

(101)



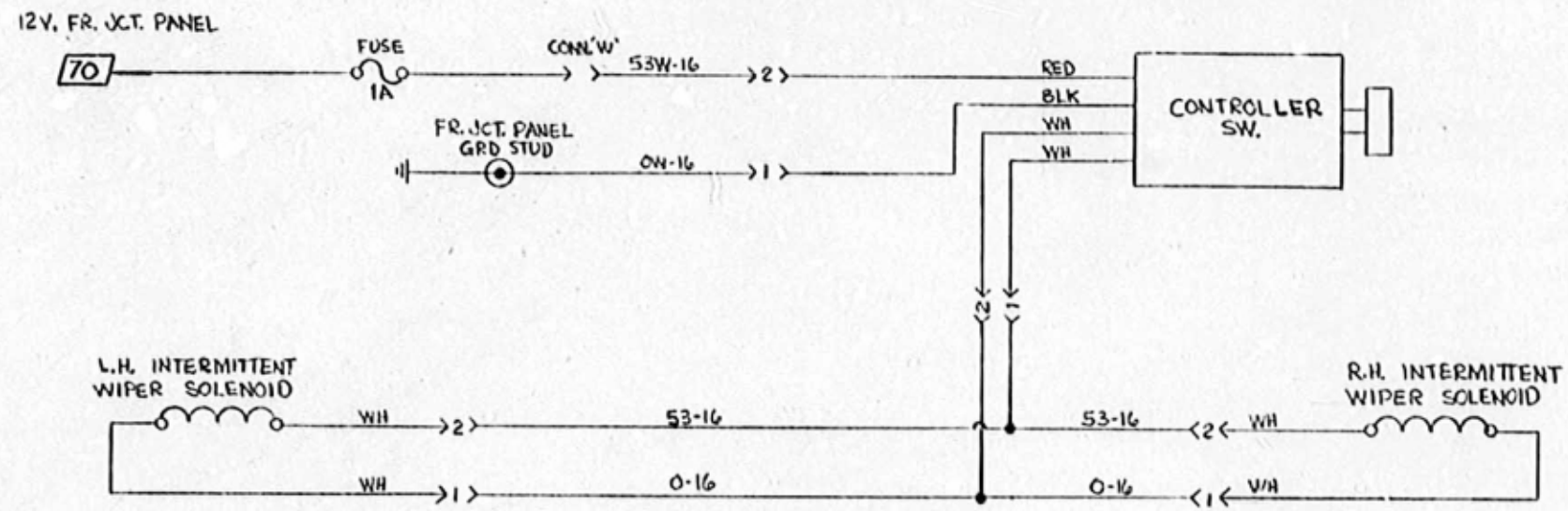
PREVOST		LEGEND	
	FRONT JUNCTION PANEL		BATTERY JUNCTION BLOCK
	REAR JUNCTION PANEL		SINGLE CONNECTOR
	BATTERY COMPARTMENT		DIODE (RECTIFIER)
	CIRCUIT BREAKER		OPTION
	HARNESS CONNECTOR		

332 (04-84)

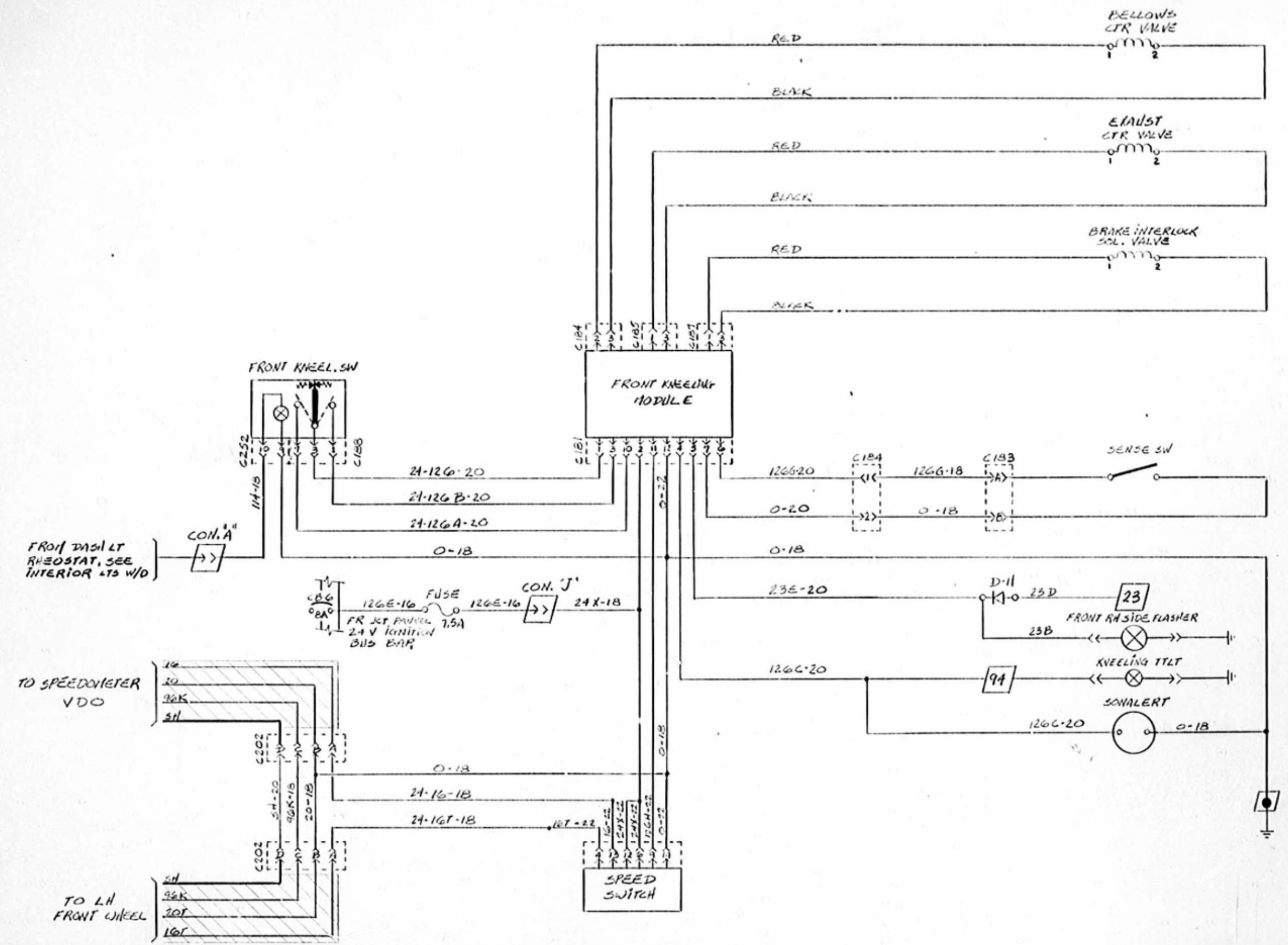
INTERIOR REAR COMPT. LT. WIRING DIAGRAM
EFF. W./ D-639 RE: MARATHON
DATE: 04-84 PRIOR TO L-706

D-060457

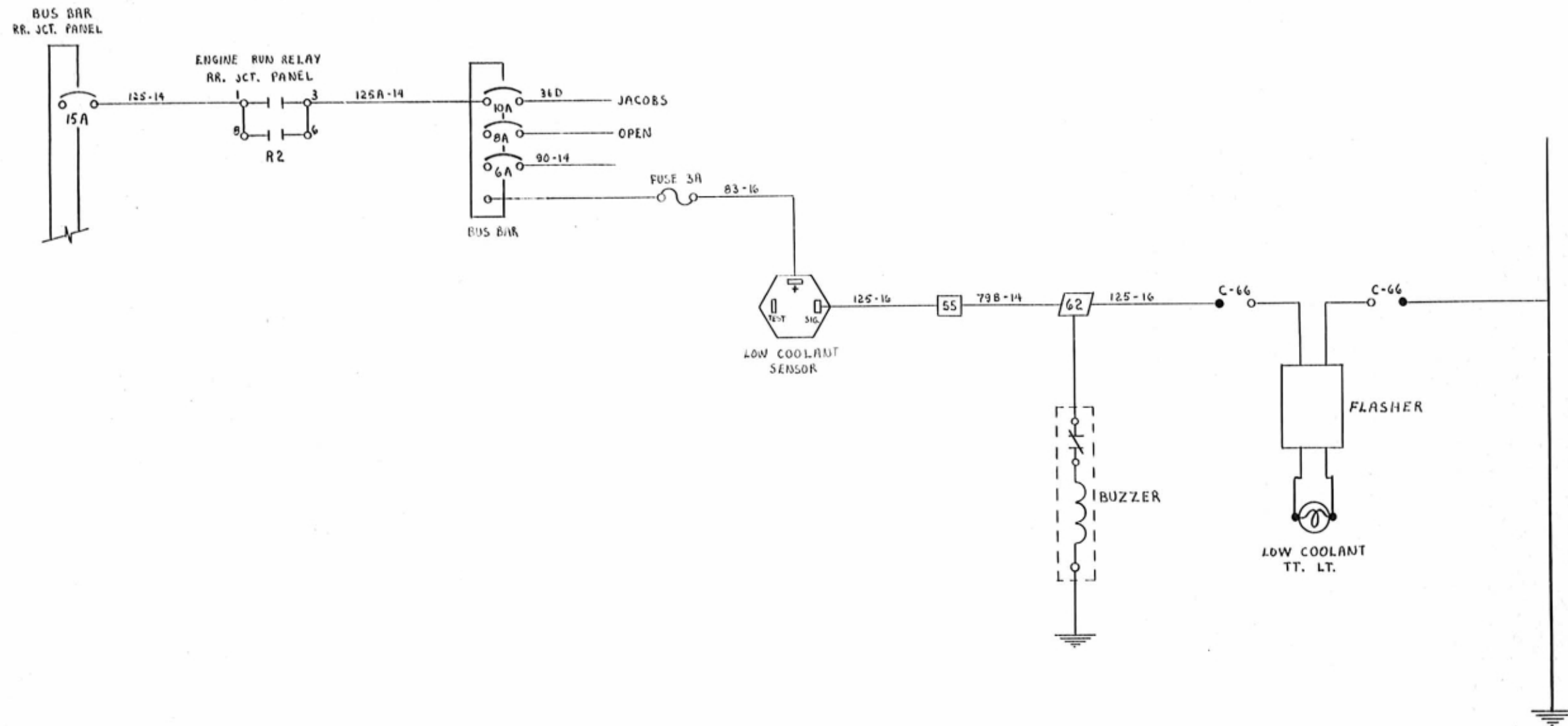
M



ITEM	DATE	REVISION	BY	DESCRIPTION:	DR.	DATE
B	91-01	PRIOR TO L 706		INTERMITTENT WIPER (AIR) W/D	M.H.	89/09
A	90/07	WAS 12V-JCT BLOCK	BC		CR.	KC
				APPL: EFF. W/K653 PRIOR TO: L 706	REF: COACHES 102	NO: D-060728
						C



LEGEND 		REVISION A 70-03 CD # 18135 REVISION		TITLE: FRONT KNEELING WIRING DIAGRAM		DESS: AB DATE: 89-10	
FRONT JUNCTION PANEL FRONT JUNCTION PANEL BATTERY COMPARTMENT CIRCUIT BREAKER HARNESS CONNECTOR		FR JCT PANEL FR JCT PANEL 24 V Ignition BUS BAR		APPL: EFF W/L 589		VER: APPR:	
TO SPEEDOMETER VDO 16 20 30K 5H		TO LH FRONT WHEEL 5H 30K 30T 16T		REF: AUTOCAR XL		NO: D-060137 C	



PREVOST		LEGEND	
	FRONT JUNCTION PANEL		BATTERY JUNCTION BLOCK
	REAR JUNCTION PANEL		SINGLE CONNECTOR
	BATTERY COMPARTMENT		DIODE (RECTIFIER)
	CIRCUIT BREAKER		OPTION
	HARNESS CONNECTOR		

392 (04-84)

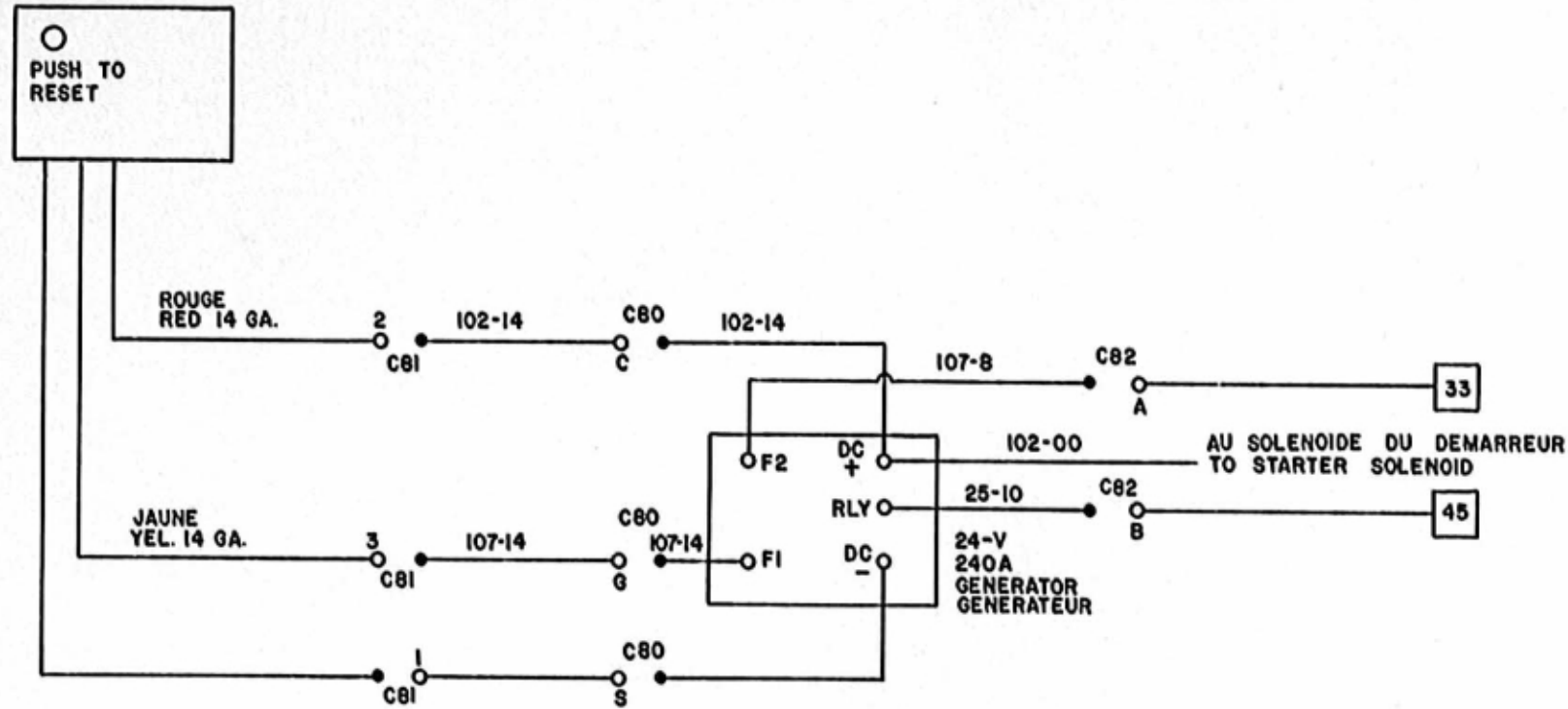
LOW WATER LEVEL WIRING DIAGRAM
 EFF. W/E-638 MODEL "XL"
 DATE : 04-84

D-060441



PROTECTEUR
DE SUR-TENSION

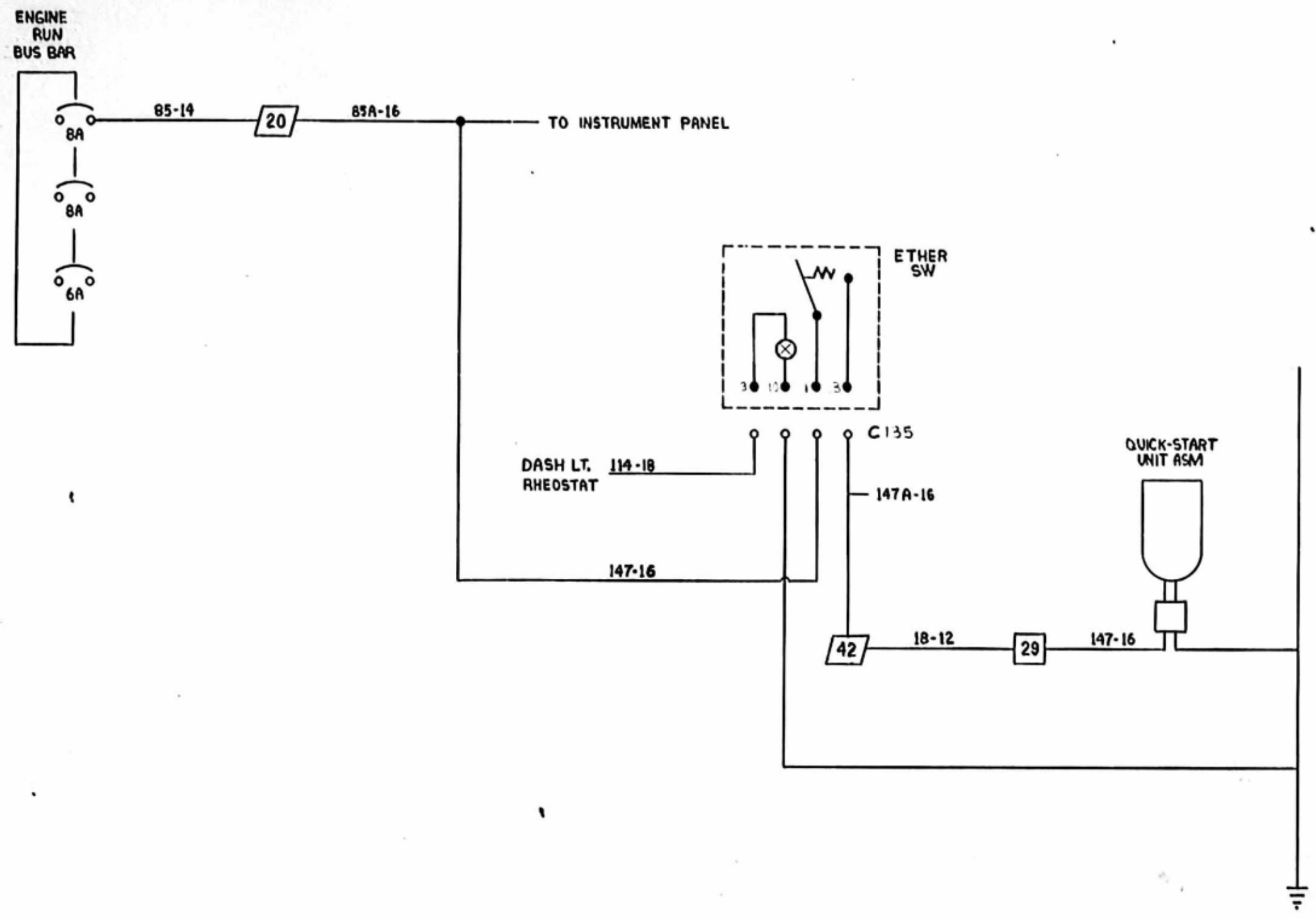
OVERVOLTAGE
PROTECTION



PREVOST		LEGEND	
	FRONT JUNCTION PANEL		BATTERY JUNCTION BLOCK
	REAR JUNCTION PANEL		SINGLE CONNECTOR
	BATTERY COMPARTMENT		DIODE (RECTIFIER)
	CIRCUIT BREAKER		OPTION
	HARNESS CONNECTOR		

3W (94-95)

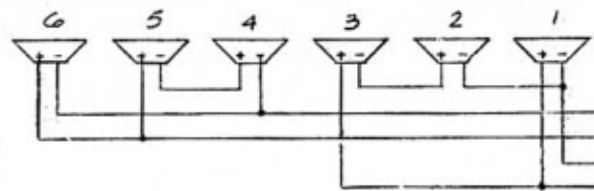
SCHEMA DE PRINCIPE POUR PROTECTEUR DE SUR-TENSION
OVERVOLTAGE PROTECTION WIRING DIAGRAM
EFF. W/E-730 "XL" OPTION
PRIOR TO L-706



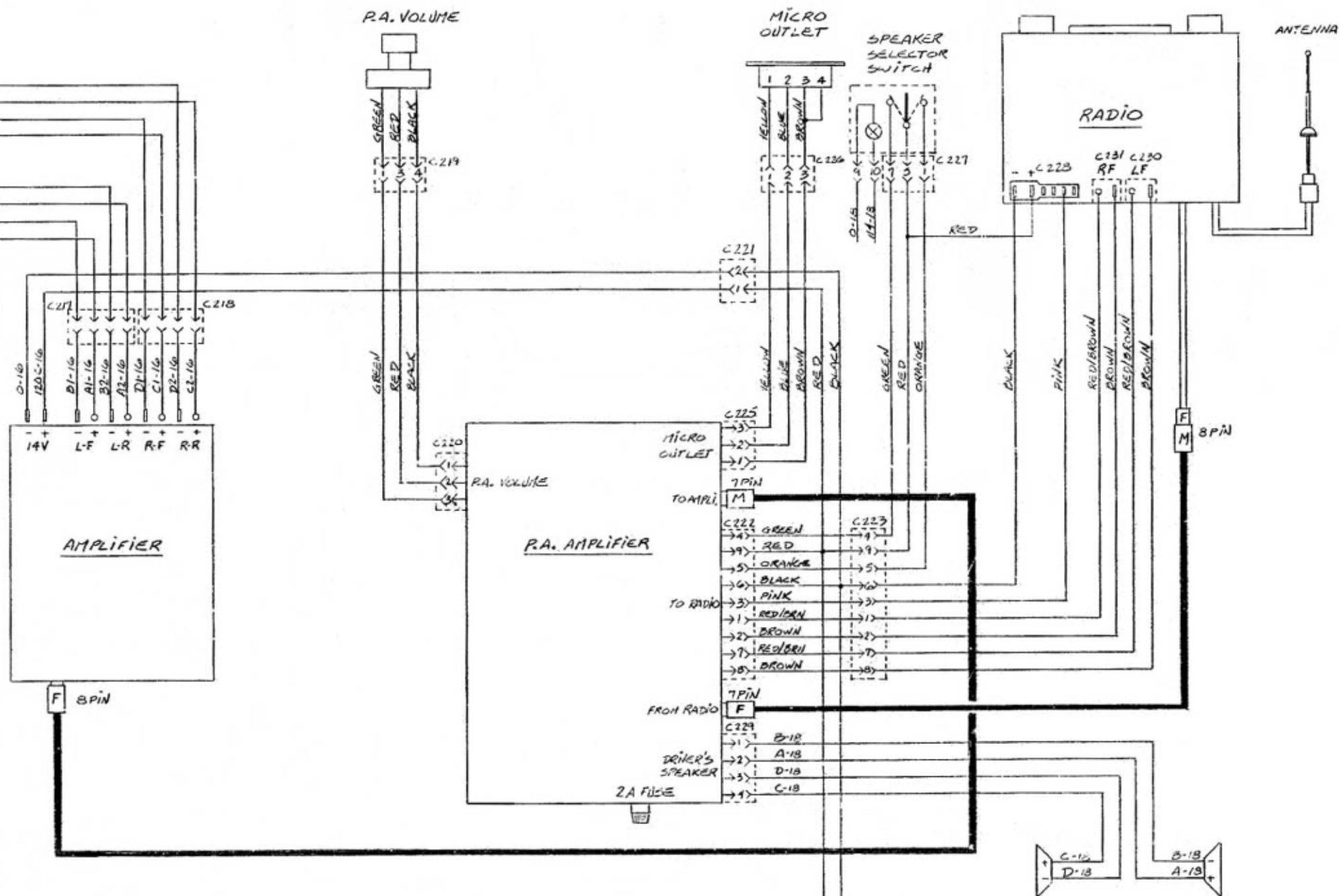
 FRONT JUNCTION PANEL REAR JUNCTION PANEL BATTERY COMPARTMENT CIRCUIT BREAKER HARNESS CONNECTOR	LEGEND BATTERY JUNCTION BLOCK SINGLE CONNECTOR SHOCK (RECTIFIER) OPTION	TITLE: QUICK-START (ETHER) WIRING DIAGRAM				DESS: M.L.	DATE: 8/02
		APPL: EFF. W/H-235 P. 706 REF: SWF				VER: <i>[Signature]</i>	APPR: <i>[Signature]</i>
THE APPROVED IS THE ENGINEER, PROPERTY OF GENERAL MOTORS CORPORATION, AND IS NOT TO BE REPRODUCED OR TRANSMITTED IN ANY FORM OR BY ANY MEANS, WITHOUT THE EXPRESS WRITTEN PERMISSION OF GENERAL MOTORS CORPORATION.		A 20-08	PRIOR TO ADOUTÉ	GL			
ITEM	DATE	REVISION	PAR				

LE MIRAGE XL

R.H. PASSENGER SPEAKER - LE MIRAGE XL

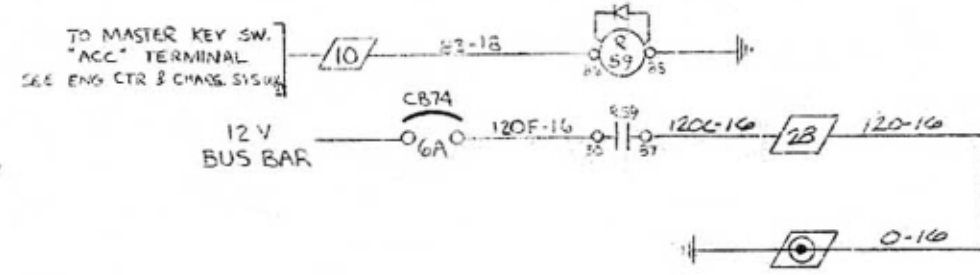
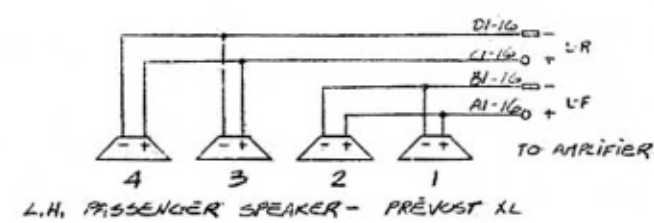
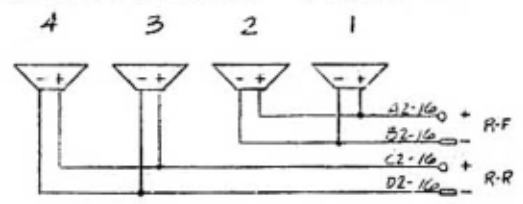


L.H. PASSENGER SPEAKER - LE MIRAGE XL



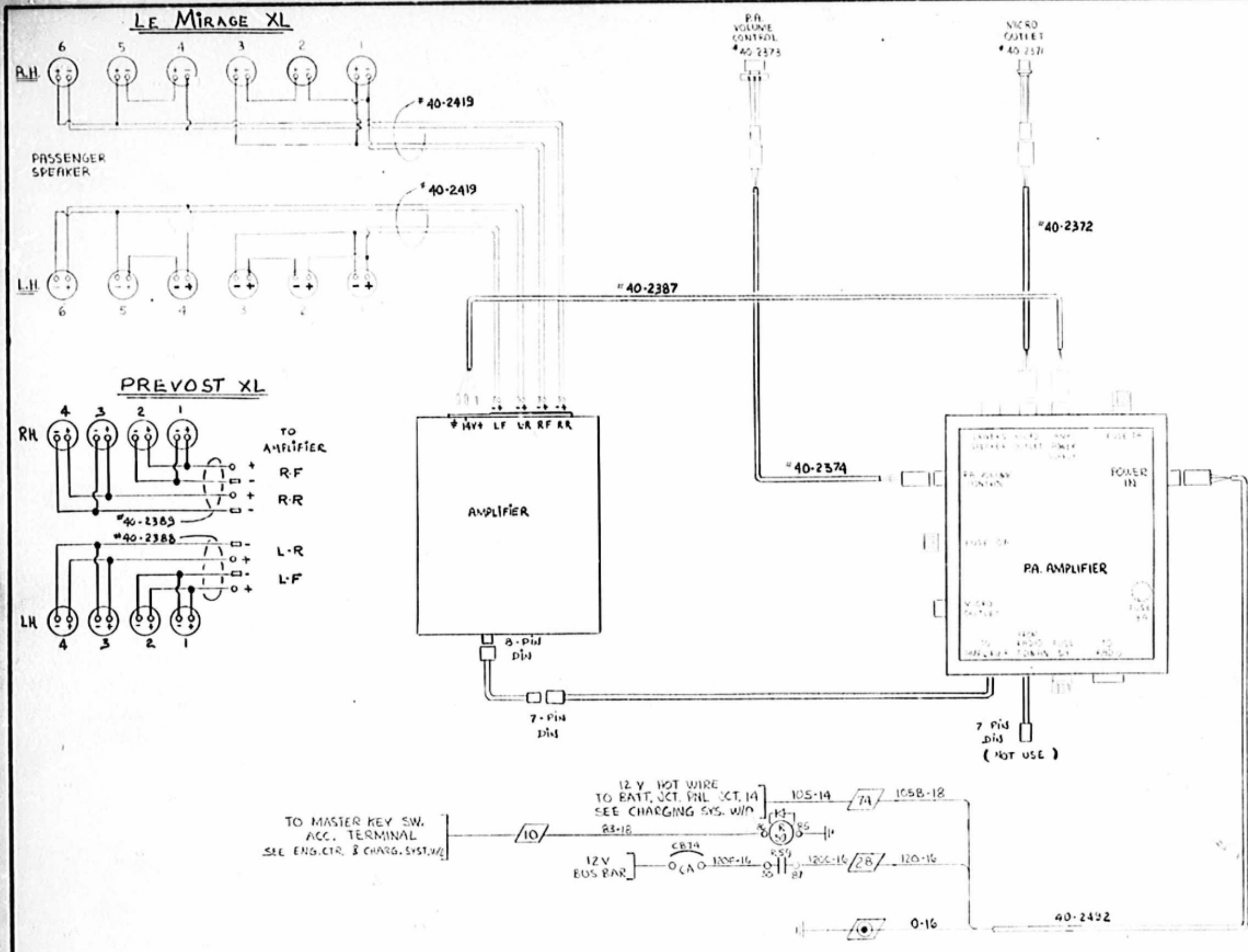
PRÉVOST XL

L.H. PASSENGER SPEAKER - PRÉVOST XL



PRÉVOST		LEGEND		TITRE: SPEAKER WIRING - BASIC SYSTEM P.A. & RADIO		DESIGN: AB		DATE: 89-09	
	FRONT JUNCTION PANEL		BATTERY JUNCTION BOX	APPRO: EFF.W/L-650		REF: AUTOCAR XL		NO: D-060731	
	REAR JUNCTION PANEL		SINGLE CONNECTOR	APP: [Signature]					
	BATTERY COMPARTMENT		DIODE (RECTIFIER)						
	CIRCUIT BREAKER		OPTION						
	HARNESS CONNECTOR								

133

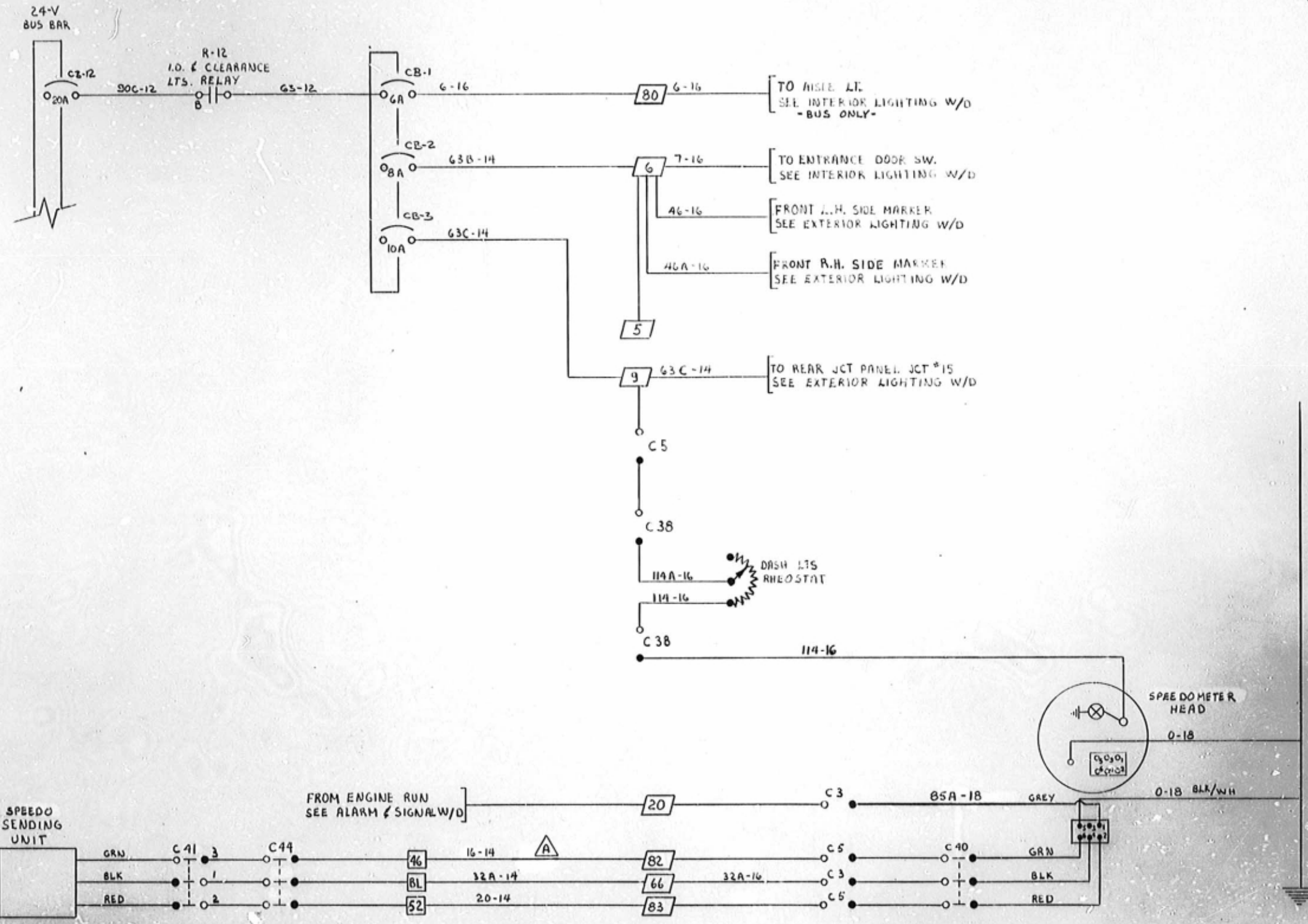


LEGEND	
	FRONT JUNCTION PANEL
	REAR JUNCTION PANEL
	BATTERY COMPARTMENT
	CIRCUIT BREAKER
	HARNESS CONNECTOR
	BATTERY JUNCTION BLOCK
	SINGLE CONNECTOR
	DIODE (RECTIFIER)
	OPTION

<p>THIS DOCUMENT IS THE PROPERTY OF PRINCEPS AIR AND IS LOANED TO YOU BY THE PRINCEPS AIR. IT IS TO BE USED ONLY FOR THE PURPOSES FOR WHICH IT IS LOANED. IT IS NOT TO BE REPRODUCED OR TRANSMITTED IN ANY FORM OR BY ANY MEANS, ELECTRONIC OR MECHANICAL, INCLUDING PHOTOCOPYING, RECORDING, OR BY ANY INFORMATION STORAGE AND RETRIEVAL SYSTEM. WITHOUT THE EXPRESS WRITTEN PERMISSION OF PRINCEPS AIR.</p>
<p>ITEM: 23-11 DATE: R59 AMULE OC 82122 REVISION: 11 PAR: 11</p>

TITLE: SPEAKER WIRING - BASIC SYSTEM P.A. ONLY	DESS: M.L.	DATE: 89/09
APPR: EFF. W/ J-587 PRIOR TO L650	VER: Kc	APPR: R
REF: COACILES 102"	NO: D-060733	C

M



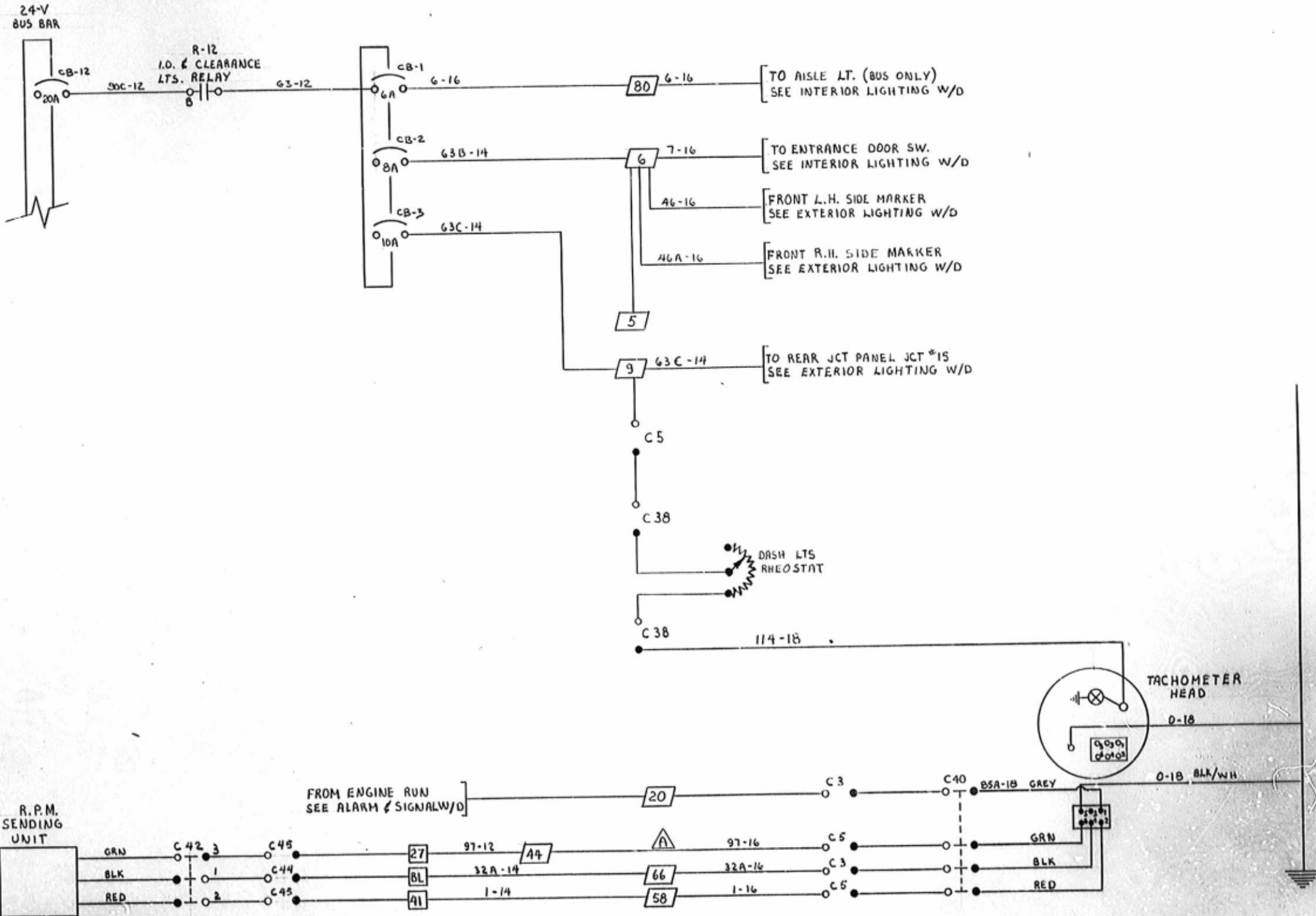
LEGEND

	FRONT JUNCTION PANEL		BATTERY JUNCTION BLOCK
	REAR JUNCTION PANEL		SINGLE CONNECTOR
	BATTERY COMPARTMENT		DIODE (RECTIFIER)
	CIRCUIT BREAKER		OPTION
	HARNESS CONNECTOR		

ITEM	DATE	REVISION	PAR
B	88-11	PRIO TO OC 88165	MC
A	86-09	C.D. # 8837	ML

ENGLER SPEEDOMETER WIRING DIAGRAM
 EFF. W/UNIT E-638 MODEL XL PRIOR TO:
 DATE: 86-04

D-060515



LEGEND

	FRONT JUNCTION PANEL		BATTERY JUNCTION BLOCK
	REAR JUNCTION PANEL		SINGLE CONNECTOR
	BATTERY COMPARTMENT		DIODE (RECTIFIER)
	CIRCUIT BREAKER		OPTION
	HARNESS CONNECTOR		

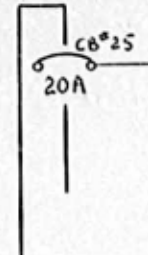
392 (04-84)

ITEM	DATE	REVISION	PAR
B	89-11	Prior TO OC 88165	
A	86-09	C.D. # 8838	M.L

ENGLER TACHOMETER WIRING DIAGRAM
 EFF. W/UNIT E-63B MODEL XL PRIOR TO:
 DATE: 86-04

D-060516

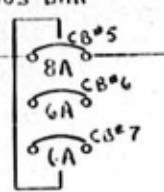
24-V BUS BAR



R1
ENGINE RUN
RELAY
B

85-12

ENGINE RUN
BUS BAR



20

C 3

OTHER
GAUGES

TRANSMISSION
OIL TEMP.
GAUGE

85A-16



117-16

C 4

117-16

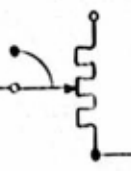
56-14

49

117-16

C 43

TRANS. OIL TEMP.
SENDING UNIT



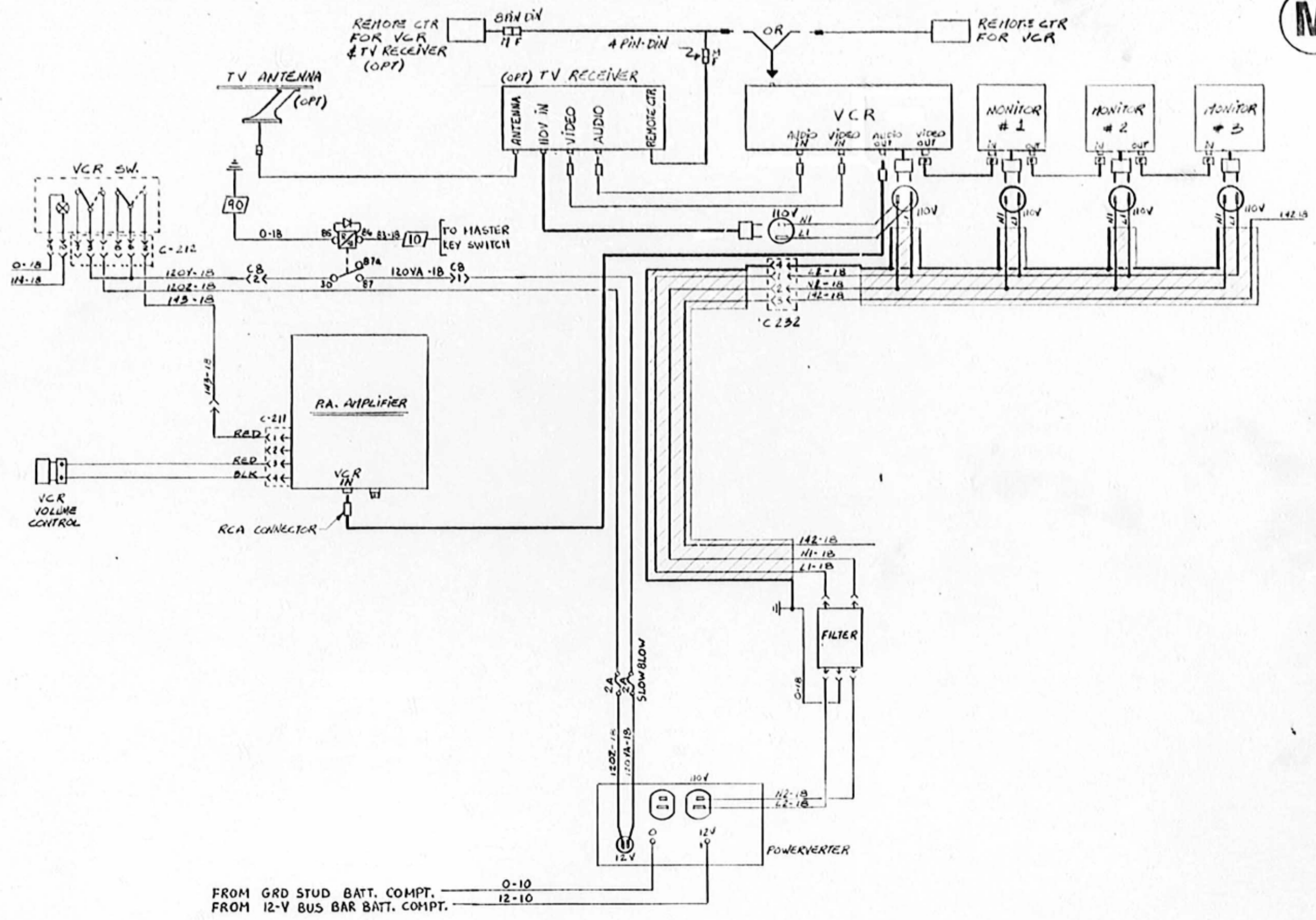
PREVOST		LEGEND	
	FRONT JUNCTION PANEL		BATTERY JUNCTION BLOCK
	REAR JUNCTION PANEL		SINGLE CONNECTOR
	BATTERY COMPARTMENT		DIODE (RECTIFIER)
	CIRCUIT BREAKER		OPTION
	HARNES CONNECTOR		

32W (04-64)

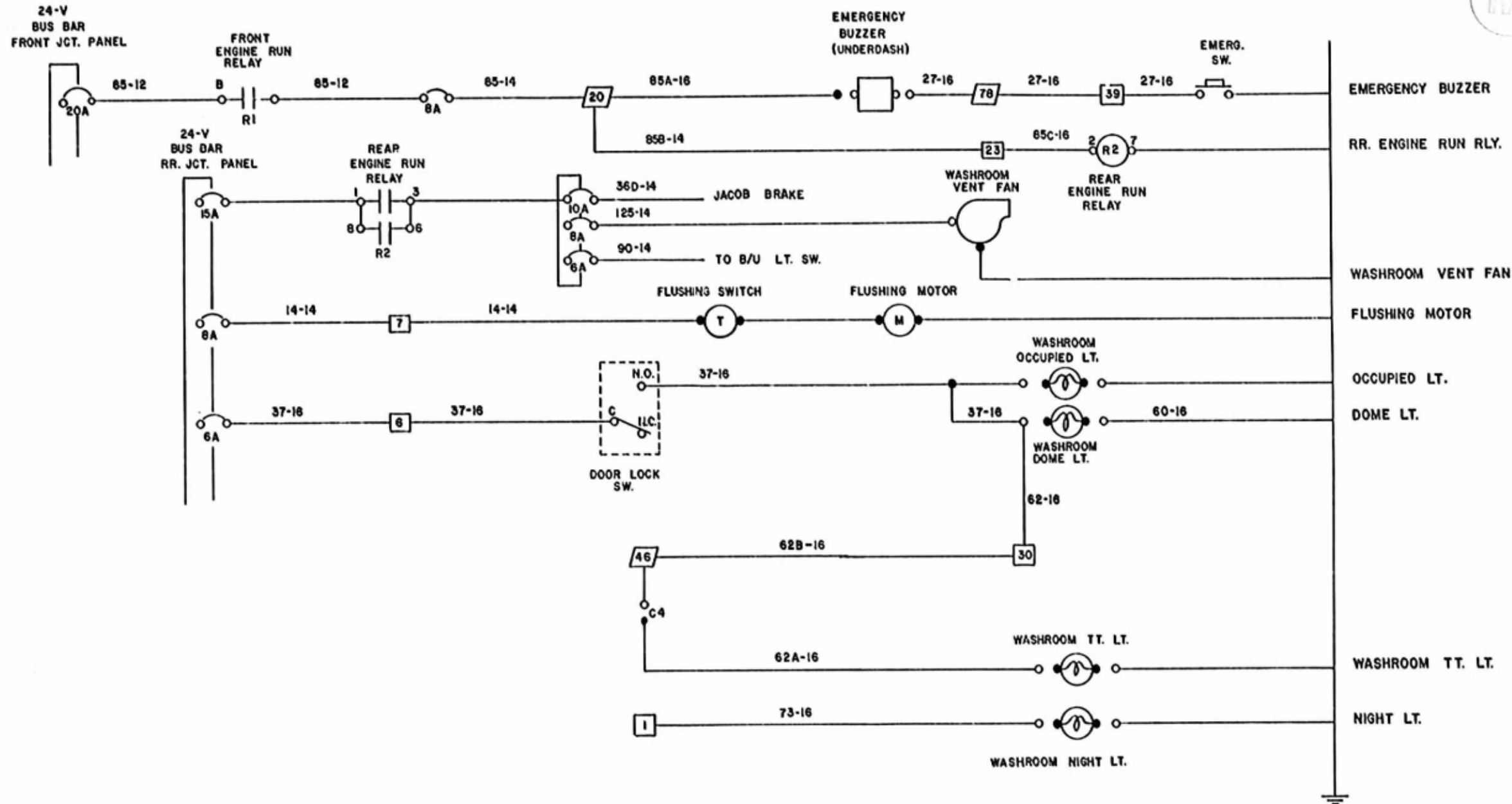
TRANSMISSION OIL TEMP. GAUGE WIRING DIAGRAM
EFF. W/E-638 MODEL "XL" PRIOR TO L-706
DATE: 86-02

D-060518

M



LEGEND FRONT JUNCTION PANEL REAR JUNCTION PANEL BATTERY COMPARTMENT CIRCUIT BREAKER HARNESS CONNECTOR		BATTERY JUNCTION PLUG SINGLE CONNECTOR DIODE (RECTIFIER) OPTION		TITLE: VIDEO SYSTEM & TV RECEIVER W/D		DESS: AB DATE 89-12	
APPL: EFX W/L-650 PRIOR L-706		REVISION A 92-01 HISE@JOUR O.C. #92002		VER: C APR. DR.		NO: D-060747	



PREVOST		LEGEND	
	FRONT JUNCTION PANEL		BATTERY JUNCTION BLOCK
	REAR JUNCTION PANEL		SINGLE CONNECTOR
	BATTERY COMPARTMENT		DIODE (RECTIFIER)
	CIRCUIT BREAKER		OPTION
	HARNESS CONNECTOR		

WASHROOM WIRING DIAGRAM
EFF W/E-638 "XL" PRIOR TO L-706