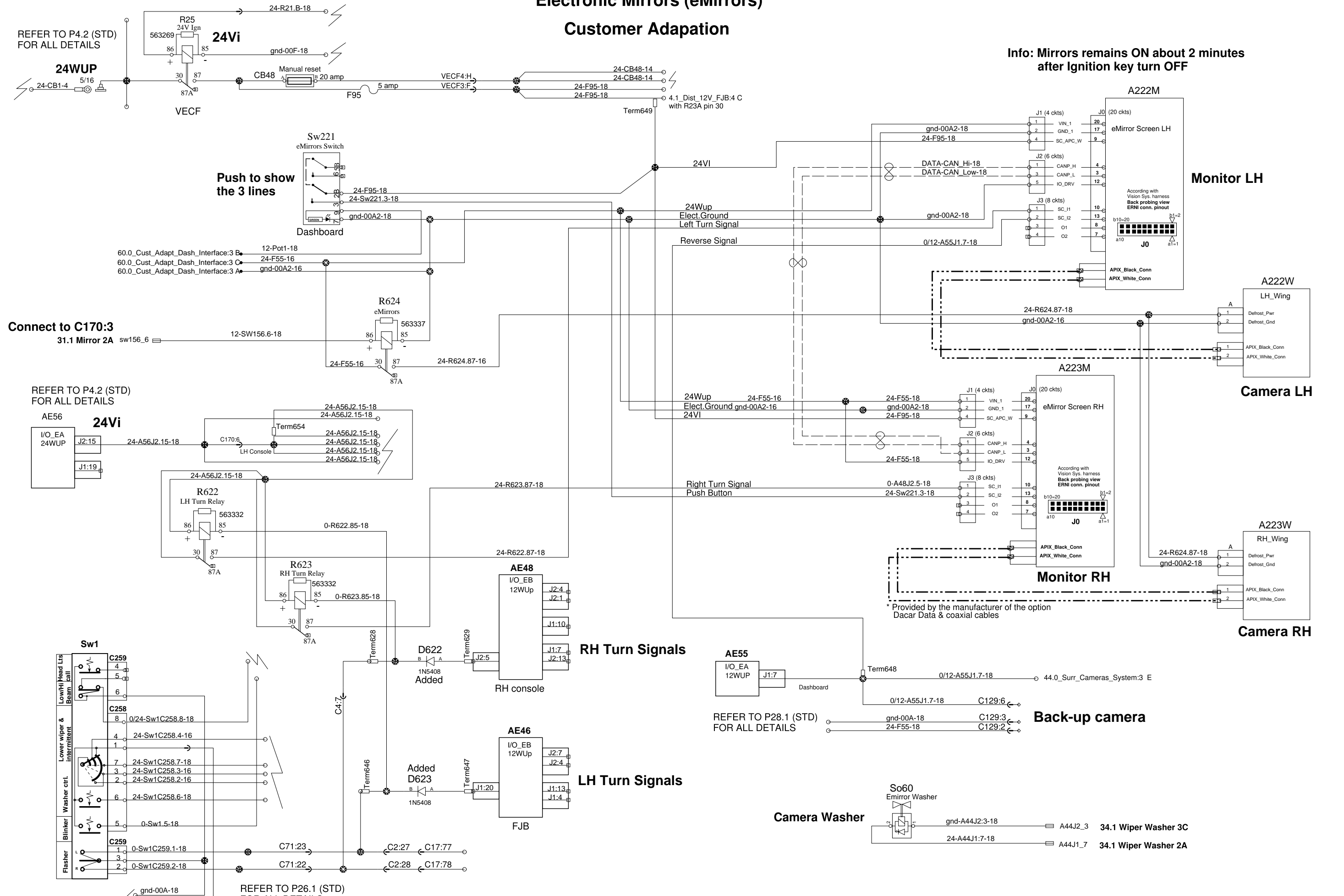


# Electronic Mirrors (eMirrors)

## Customer Adaption

Info: Mirrors remains ON about 2 minutes after Ignition key turn OFF



REFER TO P4.2 (STD) FOR ALL DETAILS

Connect to C170:3  
31.1 Mirror 2A sw156\_6

REFER TO P4.2 (STD) FOR ALL DETAILS

REFER TO P28.1 (STD) FOR ALL DETAILS

REFER TO P26.1 (STD) FOR ALL DETAILS