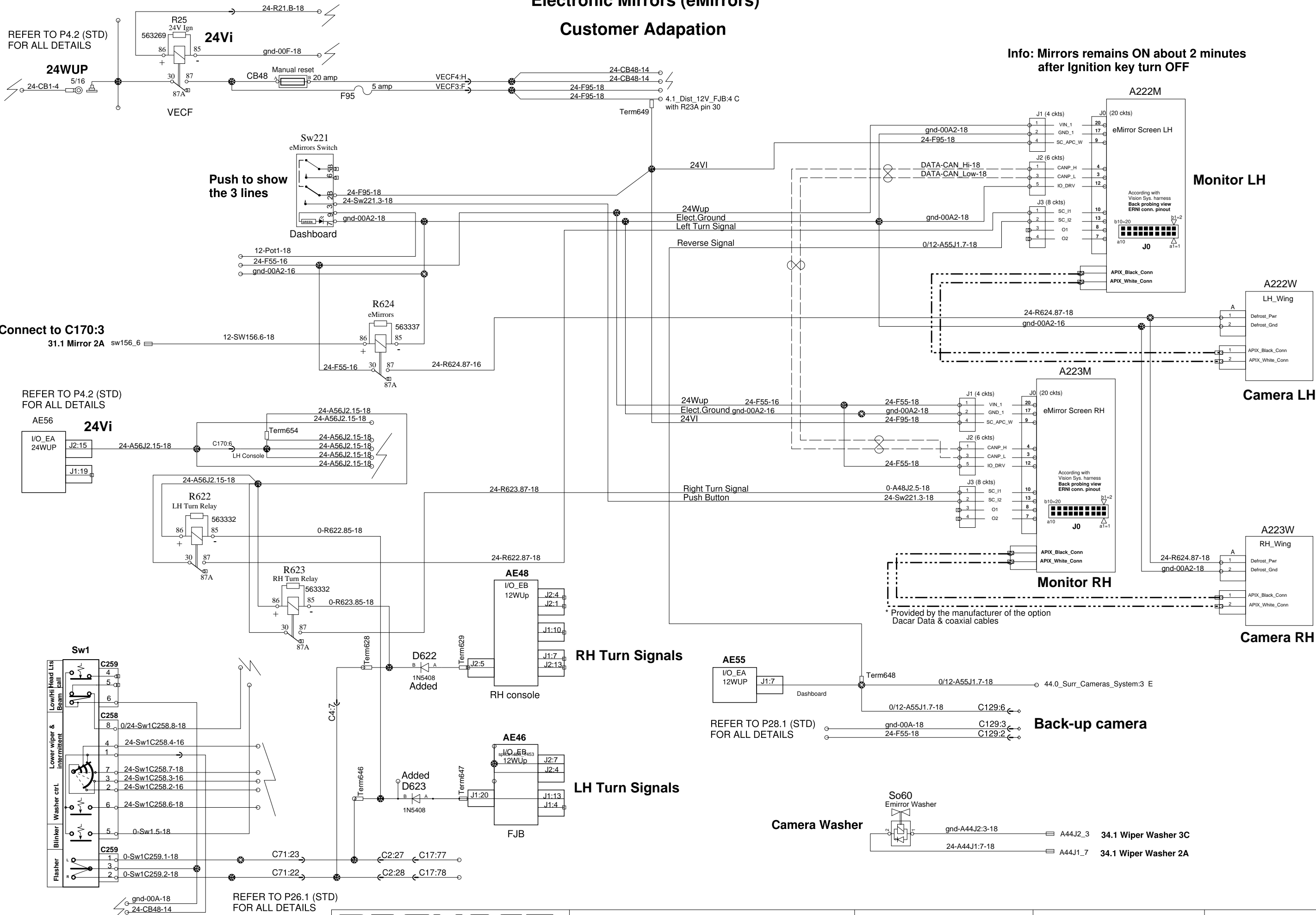


Electronic Mirrors (eMirrors)

Customer Adaption



REFER TO P4.2 (STD) FOR ALL DETAILS

Info: Mirrors remains ON about 2 minutes after Ignition key turn OFF

Connect to C170:3
31.1 Mirror 2A sw156_6

REFER TO P4.2 (STD) FOR ALL DETAILS

REFER TO P28.1 (STD) FOR ALL DETAILS

REFER TO P26.1 (STD) FOR ALL DETAILS