



PREVOST.
THE ULTIMATE EXPERIENCE

Wiring Schematic Aftermarket Electric Fan Drive KIT

EFD X345 US10 to OBD16

EFD with Bosch Alternator KIT # IS19901

EFD with Remy Alternator KIT # IS19912

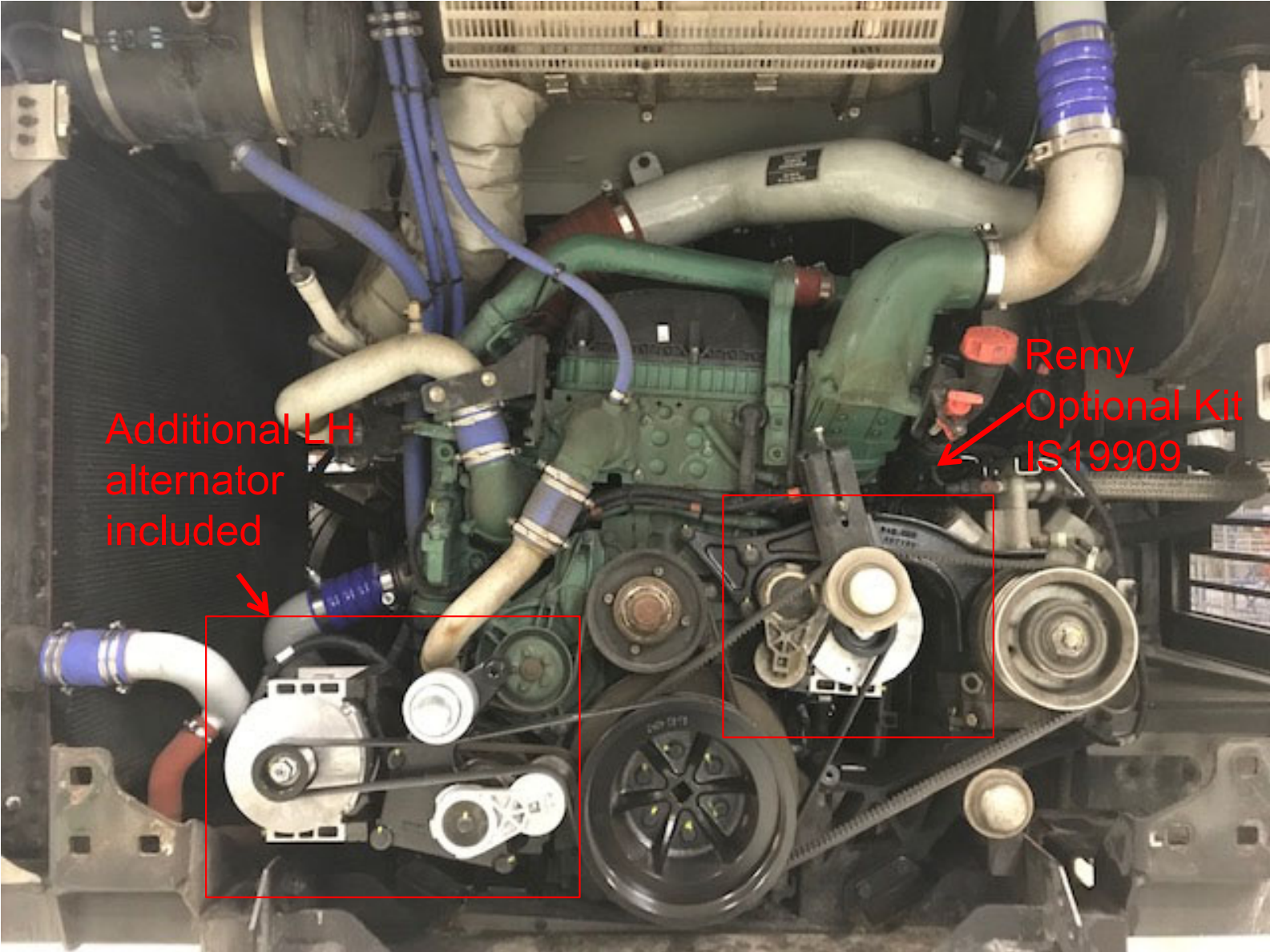
Apply to All X3 model from B-5002 up to H-6180/H-7417

March 2019

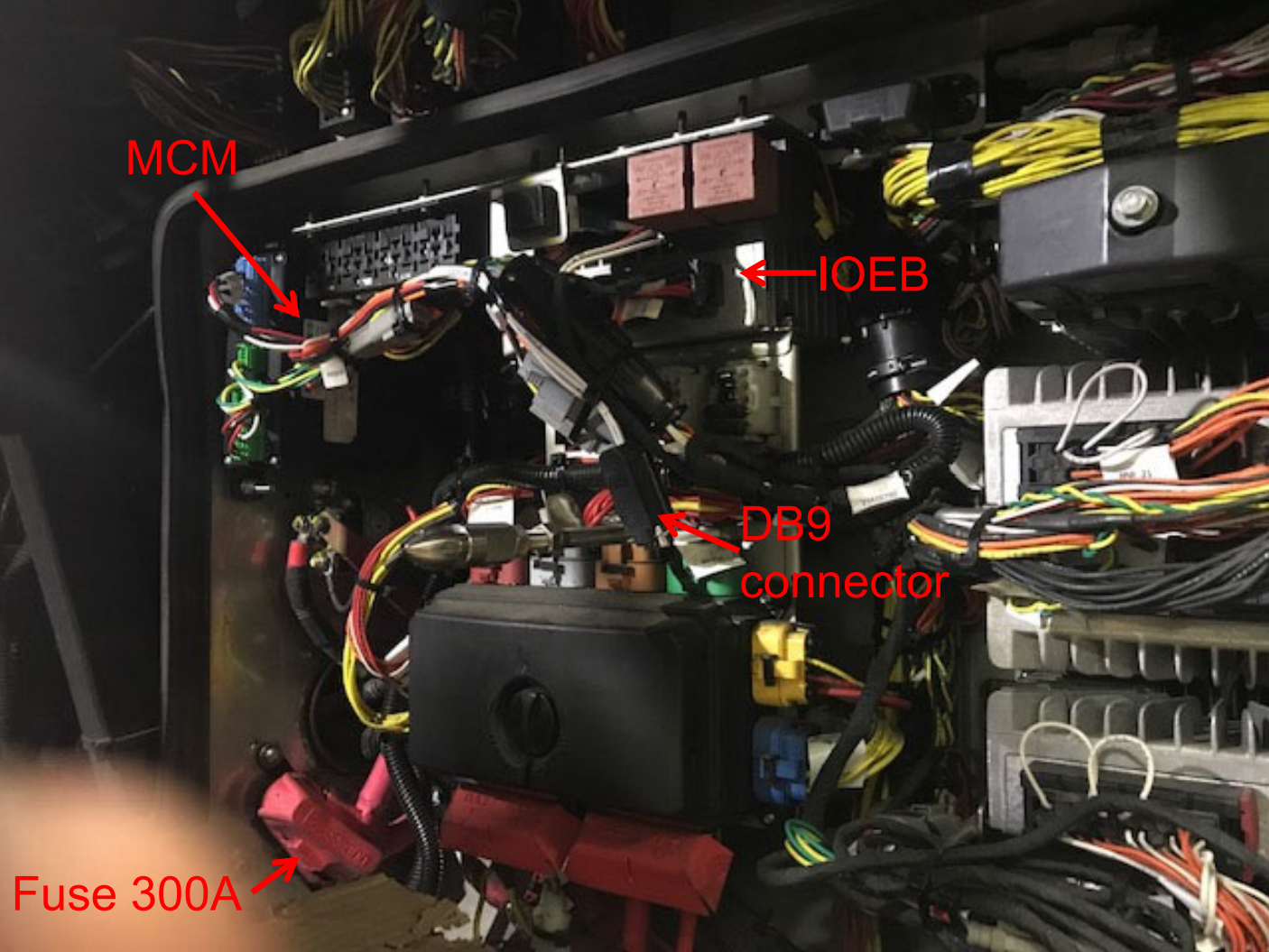
Fan Shroud installation



LH alternator



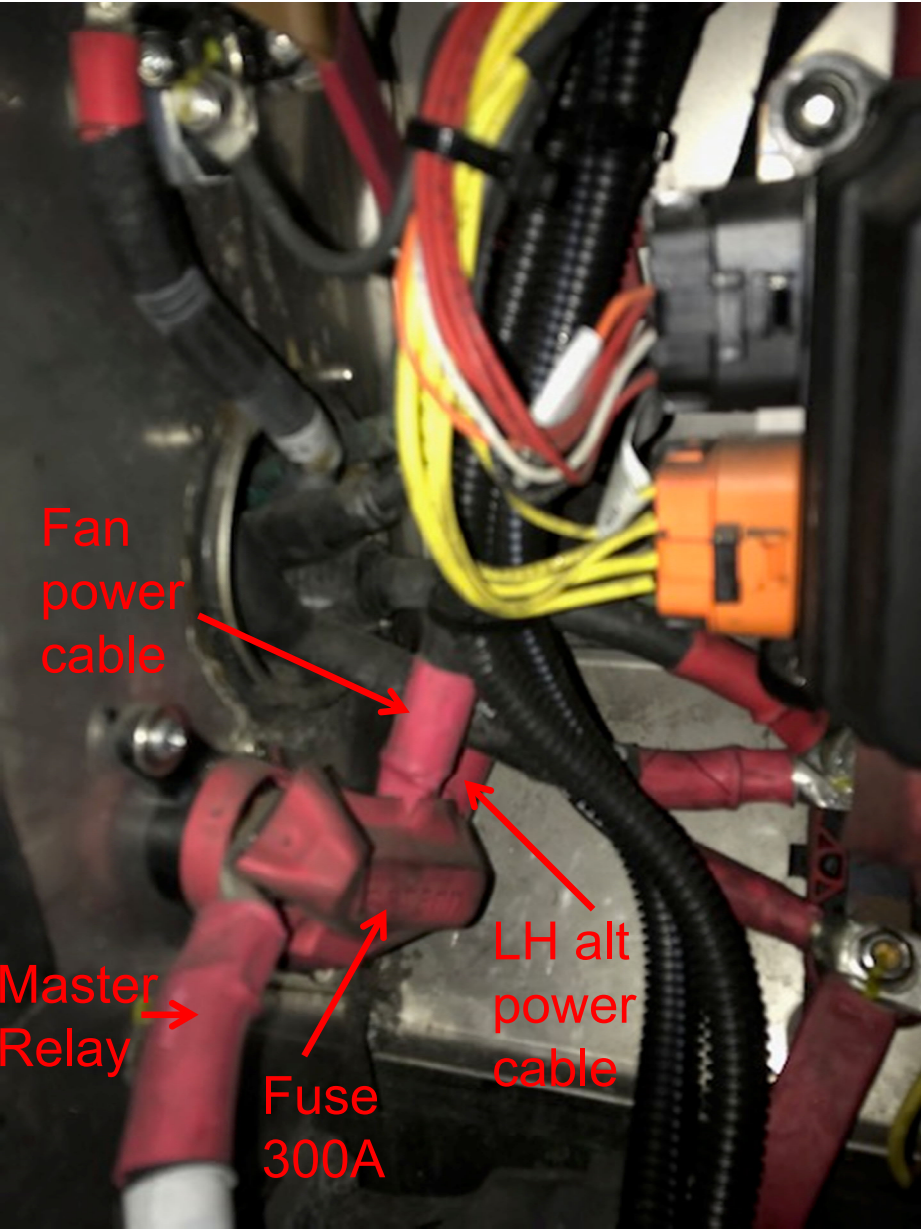
Control in RJB



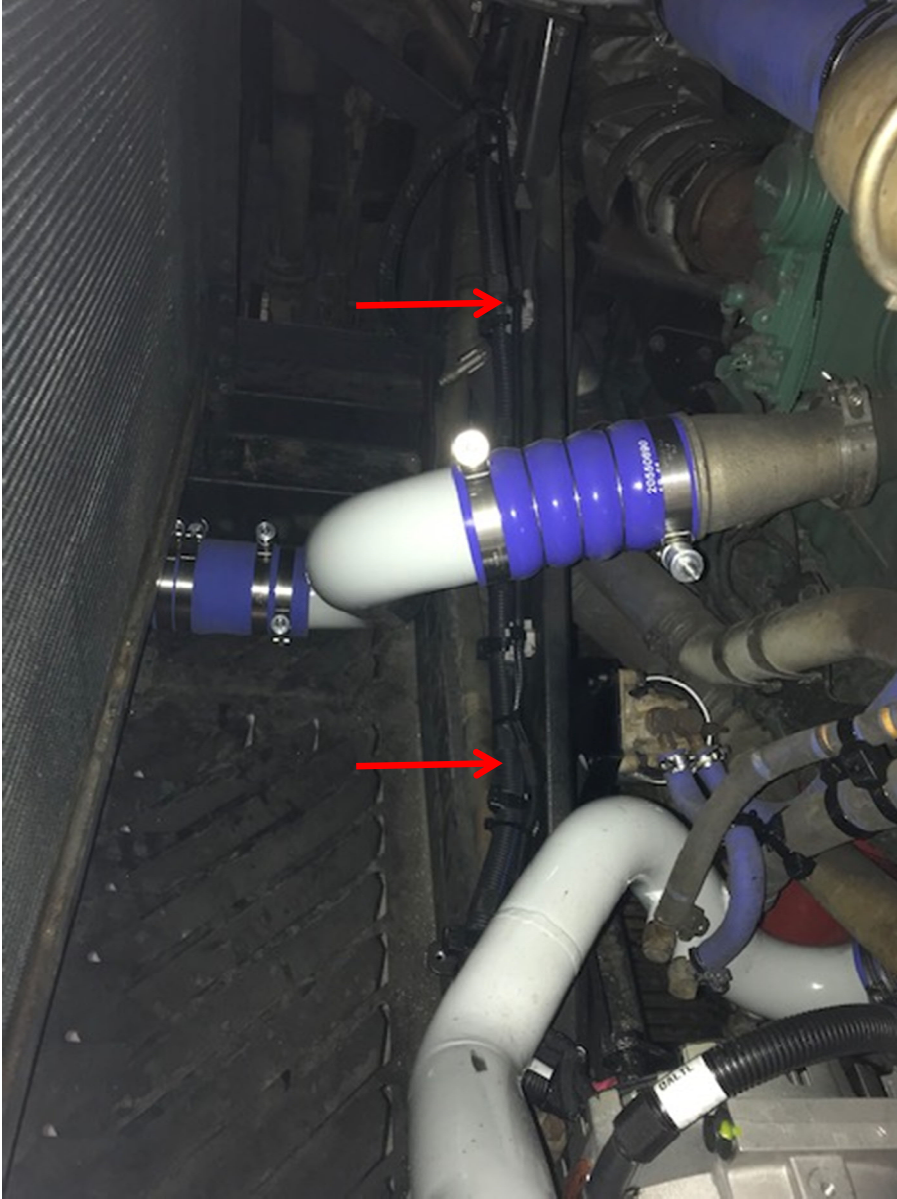
MCM programmed



Fuse 300A



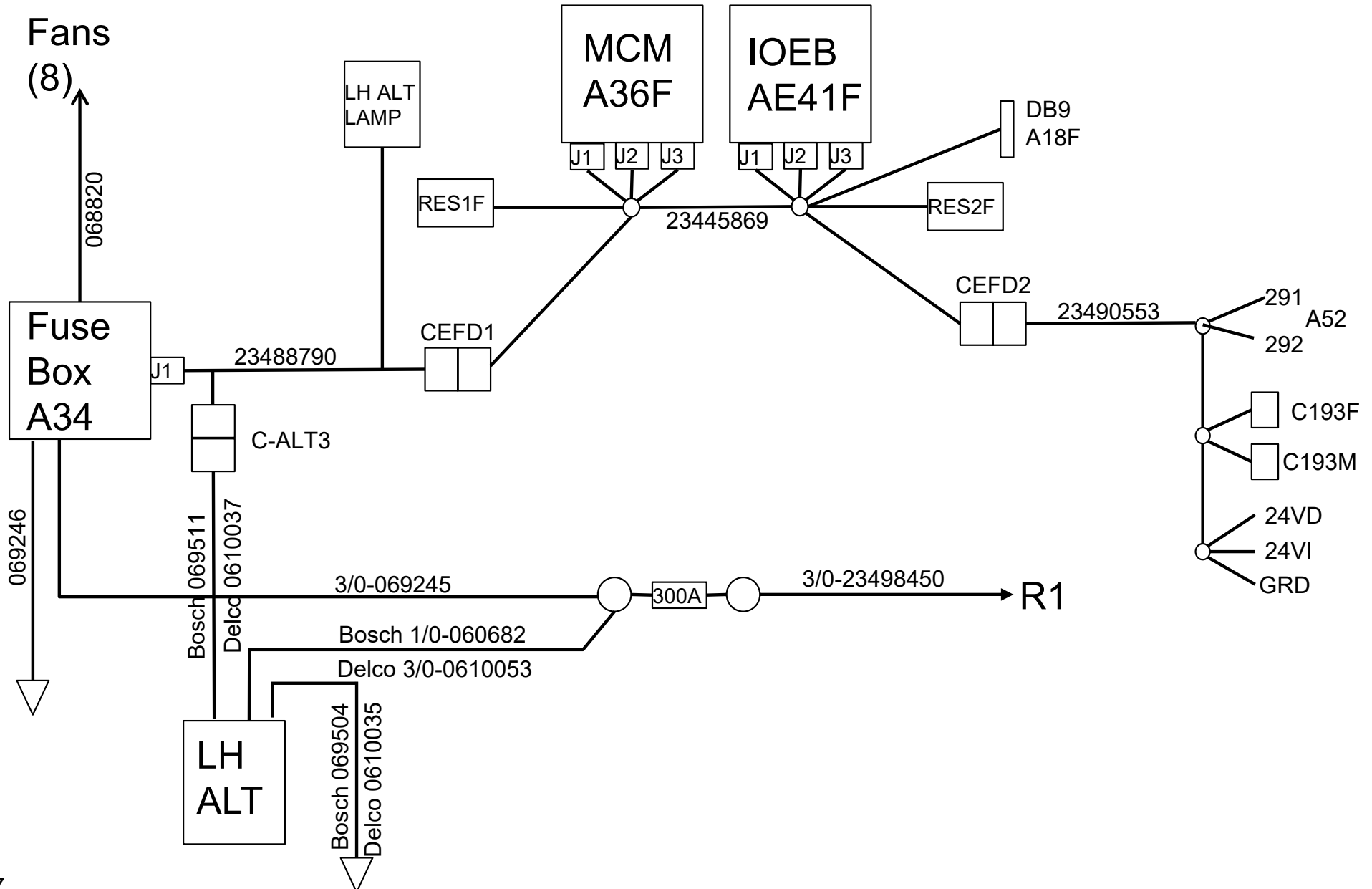
LH Alternator cable



CAC & RAD Pipe

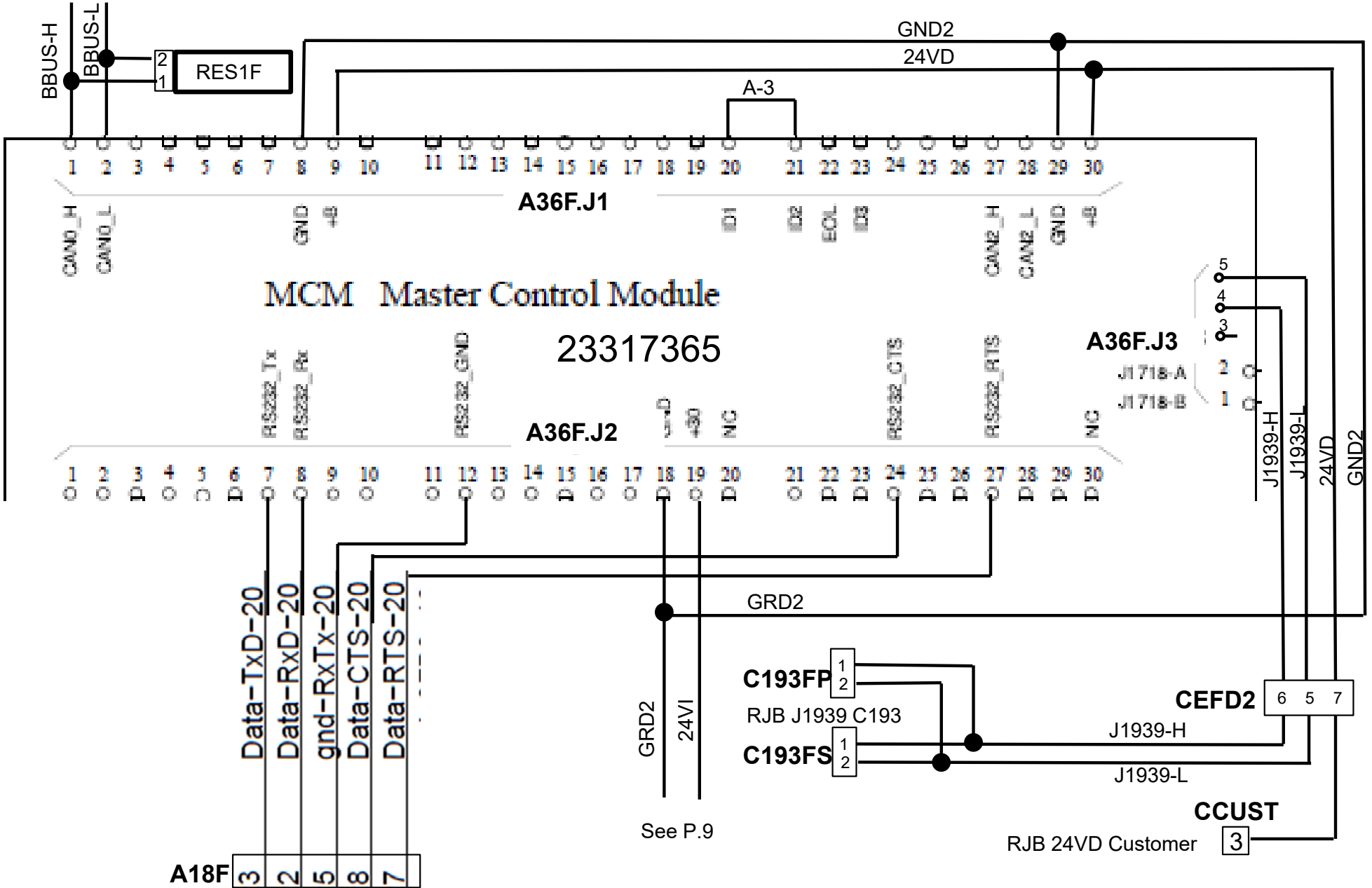


WIRING HARNESS AND BATTERY CABLE



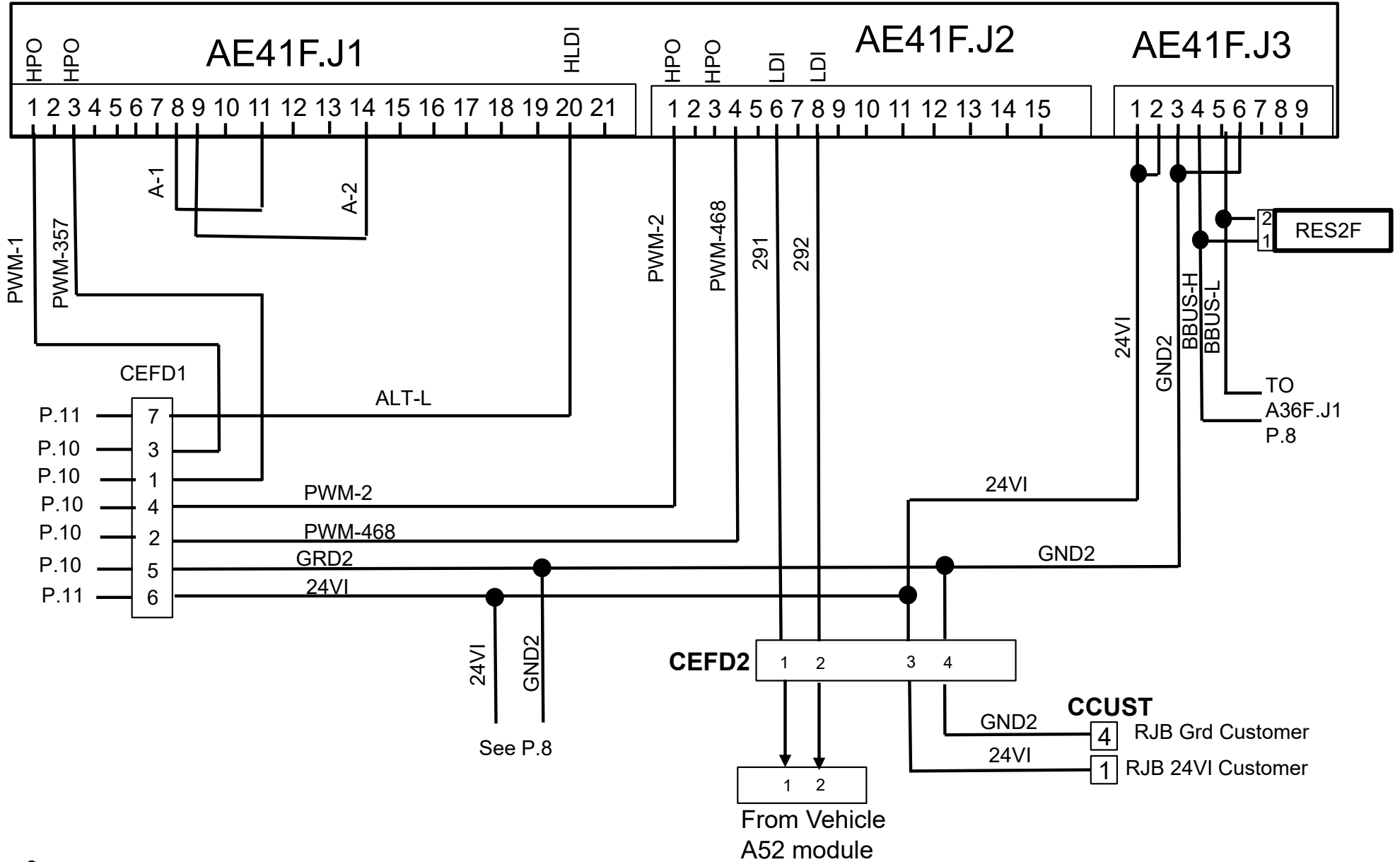
WIRING DIAGRAM MCM

To AE41F.J3
(p.9)

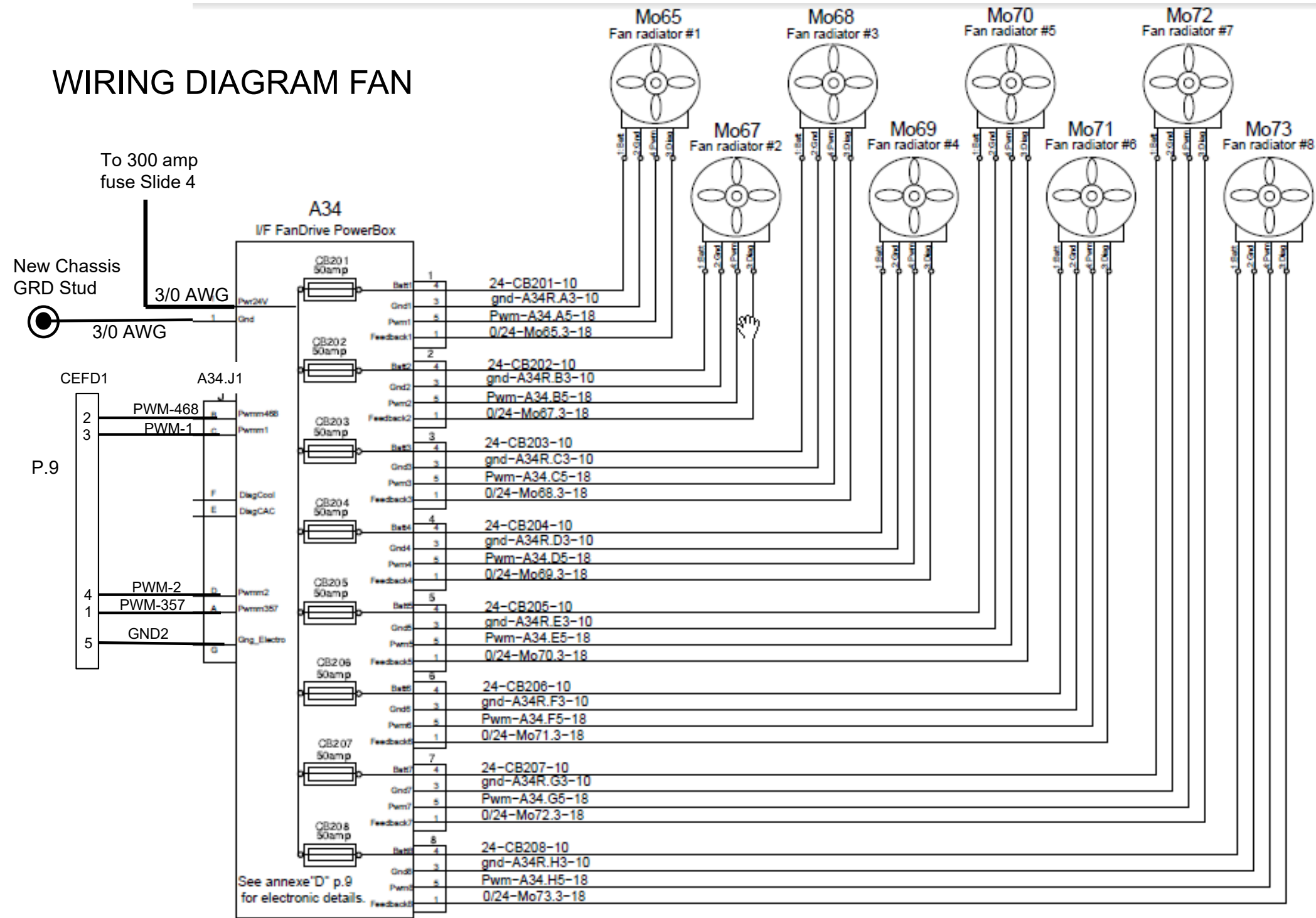


WIRING DIAGRAM I-O module

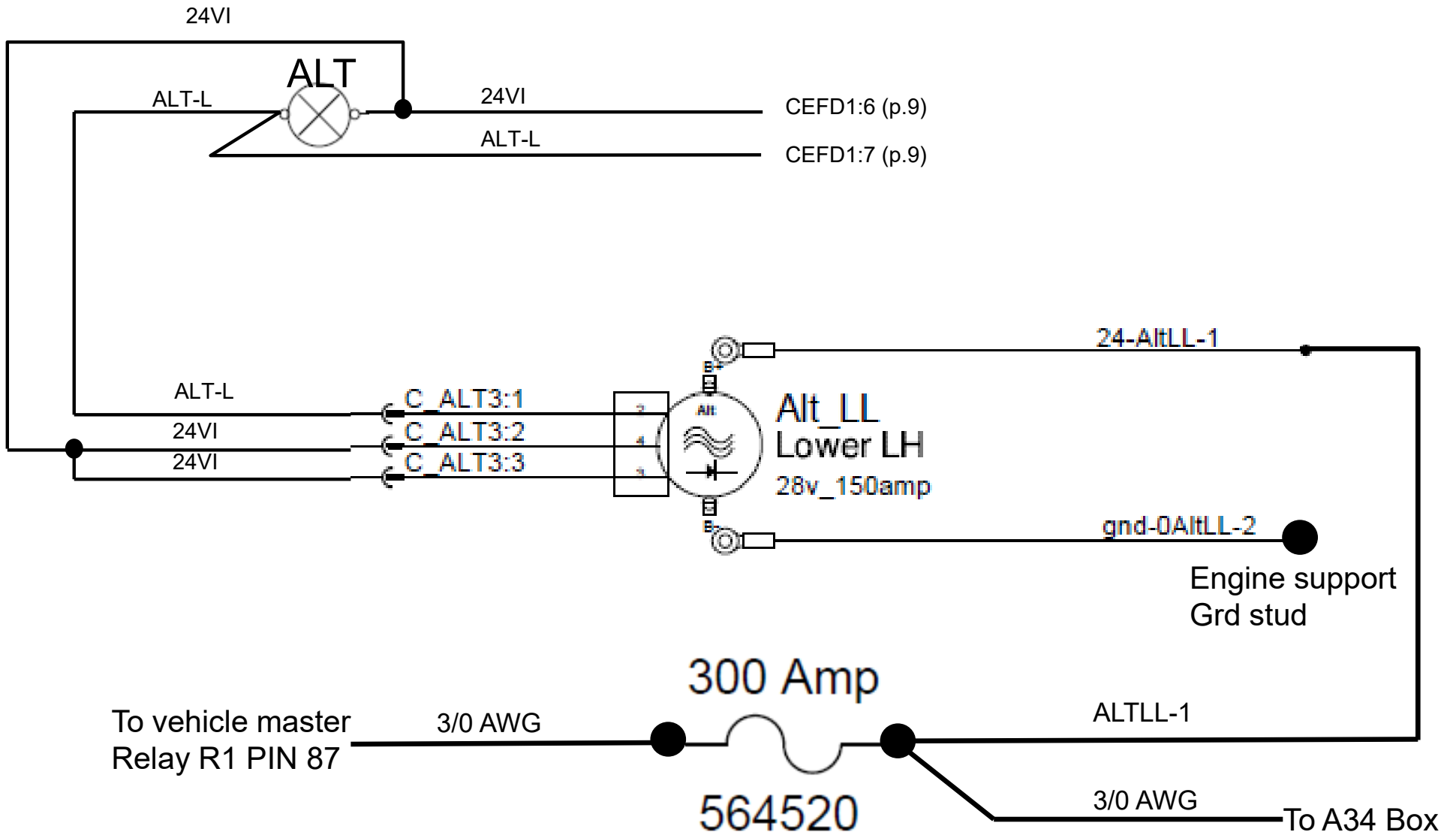
IO-EB (22722850)



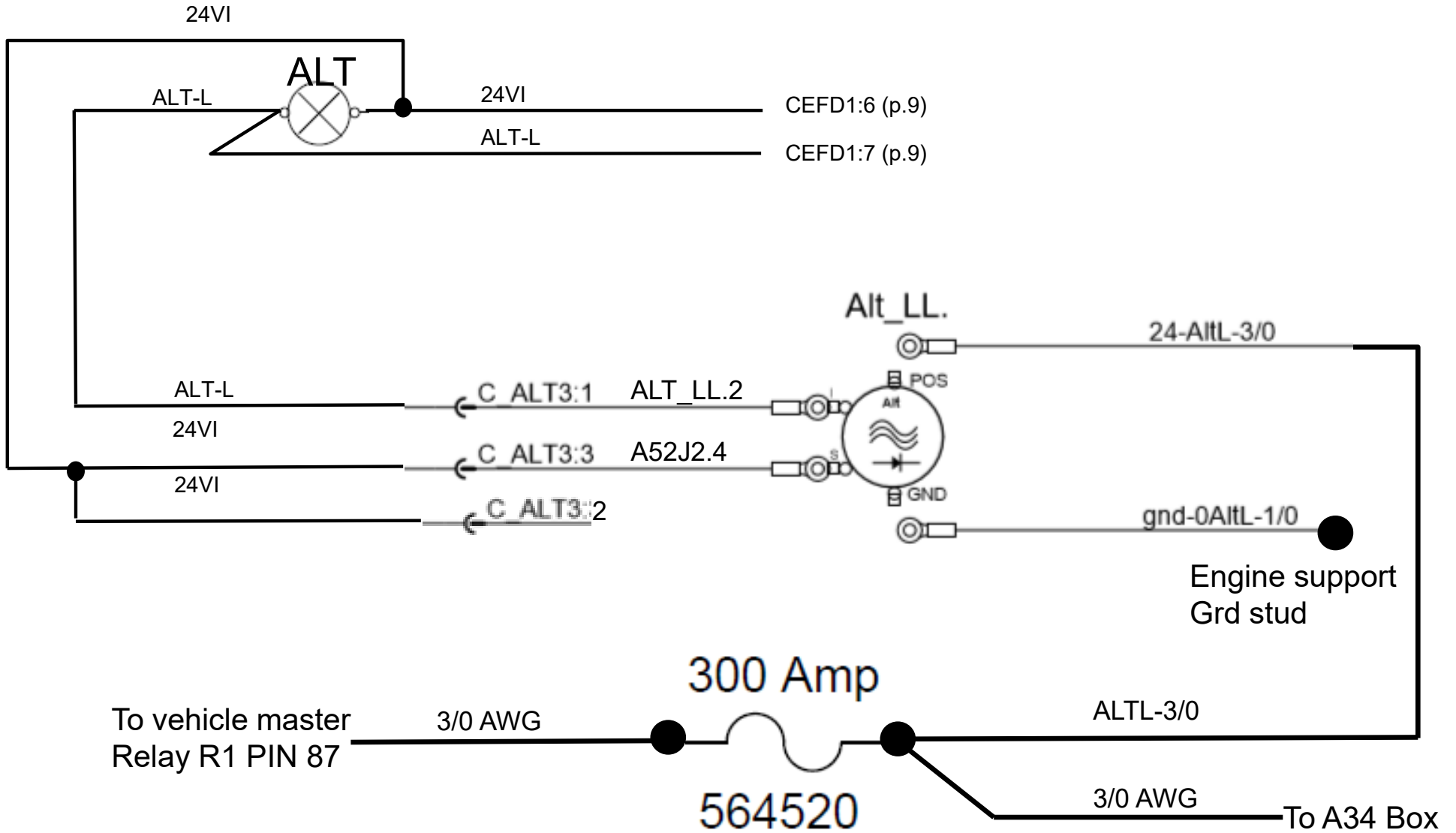
WIRING DIAGRAM FAN



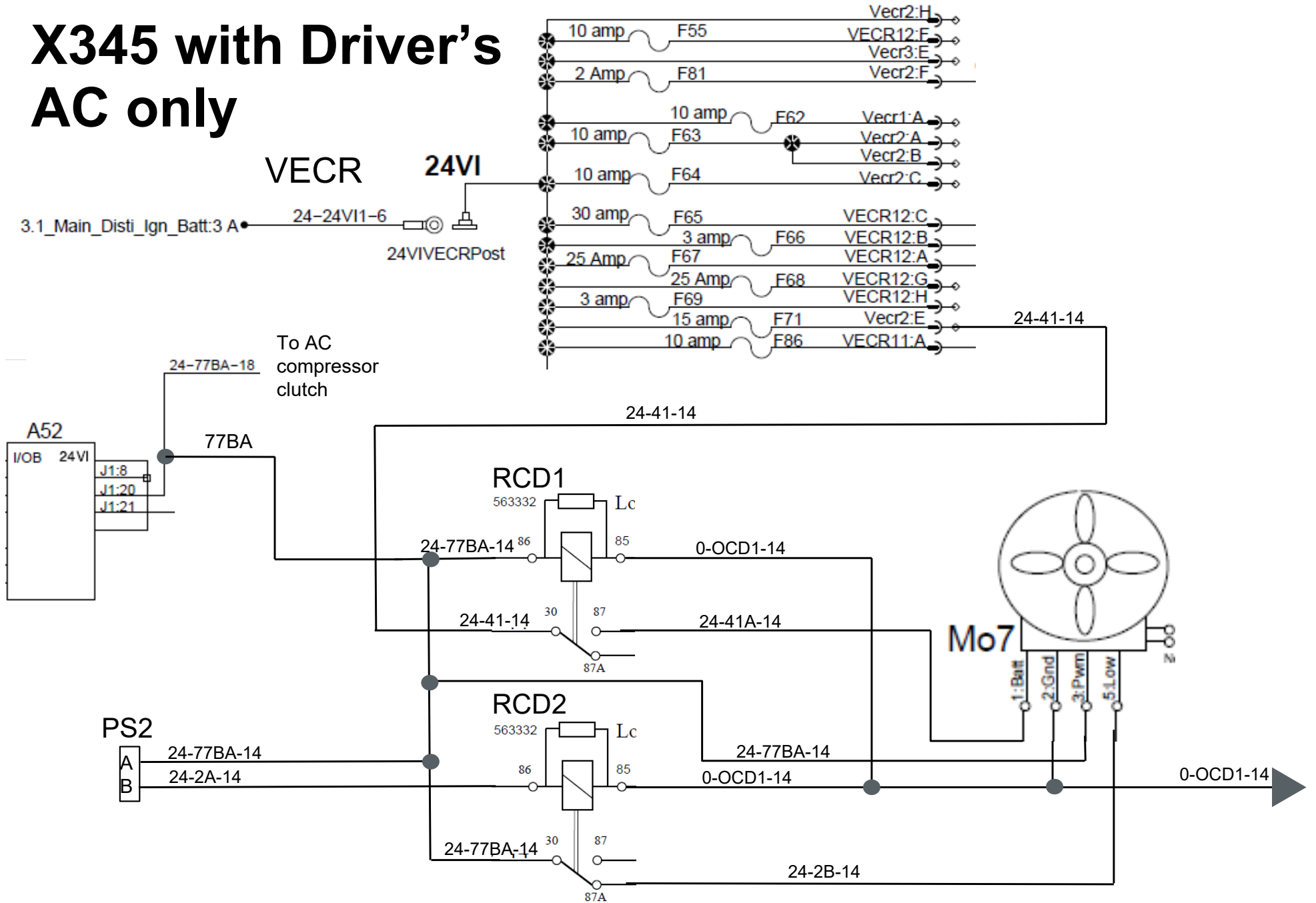
3RD BOSCH ALT WIRING DIAGRAM



2ND DELCO ALT WIRING DIAGRAM



X345 with Driver's AC only



A close-up, low-angle shot of the front of a dark-colored car, likely a truck or heavy-duty vehicle. The car is positioned on the right side of the frame, with its front end facing left. The hood features the word "PREVOST" in a light, metallic-looking font. A large, multi-lens headlight is visible on the right. The background is solid black, making the car's details stand out. The overall mood is sleek and industrial.

**THE ULTIMATE
EXPERIENCE**

PREVOST.