



## IPL-0171

## ILLUSTRATED PART LIST

The background of the page features a stylized, blue-toned illustration of various mechanical components, including gears, bearings, and shafts, arranged in a collage-like fashion.

Customer:	<b>PREVOST</b>
Axle Model:	<b>NDIFS80P</b>
Axle P/N:	<b>K26857</b> <b>611963</b>
	<b>K26879</b> <b>611352</b>
	<b>K26891</b> <b>612375</b>
Issue:	<b>A</b>

The description, testing procedures, and specifications contained in this parts / service publication were current at time of writing. This manual will not be updated. If in doubt about any aspect of maintenance or servicing of the axle please contact the vehicle builder or our service department directly.

**SPICER**® products are subject to continuous development and we reserve the right to modify procedures and to make changes in specifications at any time without prior notice and without incurring in any obligation.

The recommendations of the vehicle manufacturer should be considered as the primary source of service information regarding this **SPICER**® product. This manual is intended to be used as a supplement to such information.

Any references to brand names in this publication are made simply as an example of the types of tools and materials recommended for use and, as such, should not be considered as an endorsement.

This manual is the property of **Commercial Vehicle Products – Europe**, a division of **Dana Holding Corporation**, and may not be copied or disseminated without prior agreement of **Commercial Vehicle Products– Europe**, a division of **Dana Holding Corporation**.

**Commercial Vehicle Products – Europe**, a division of **Dana Holding Corporation**, recommends following all manufacturers recommendations for the proper handling and disposal of lubricants and solvents. For further information please contact the lubricants and solvents supplier.

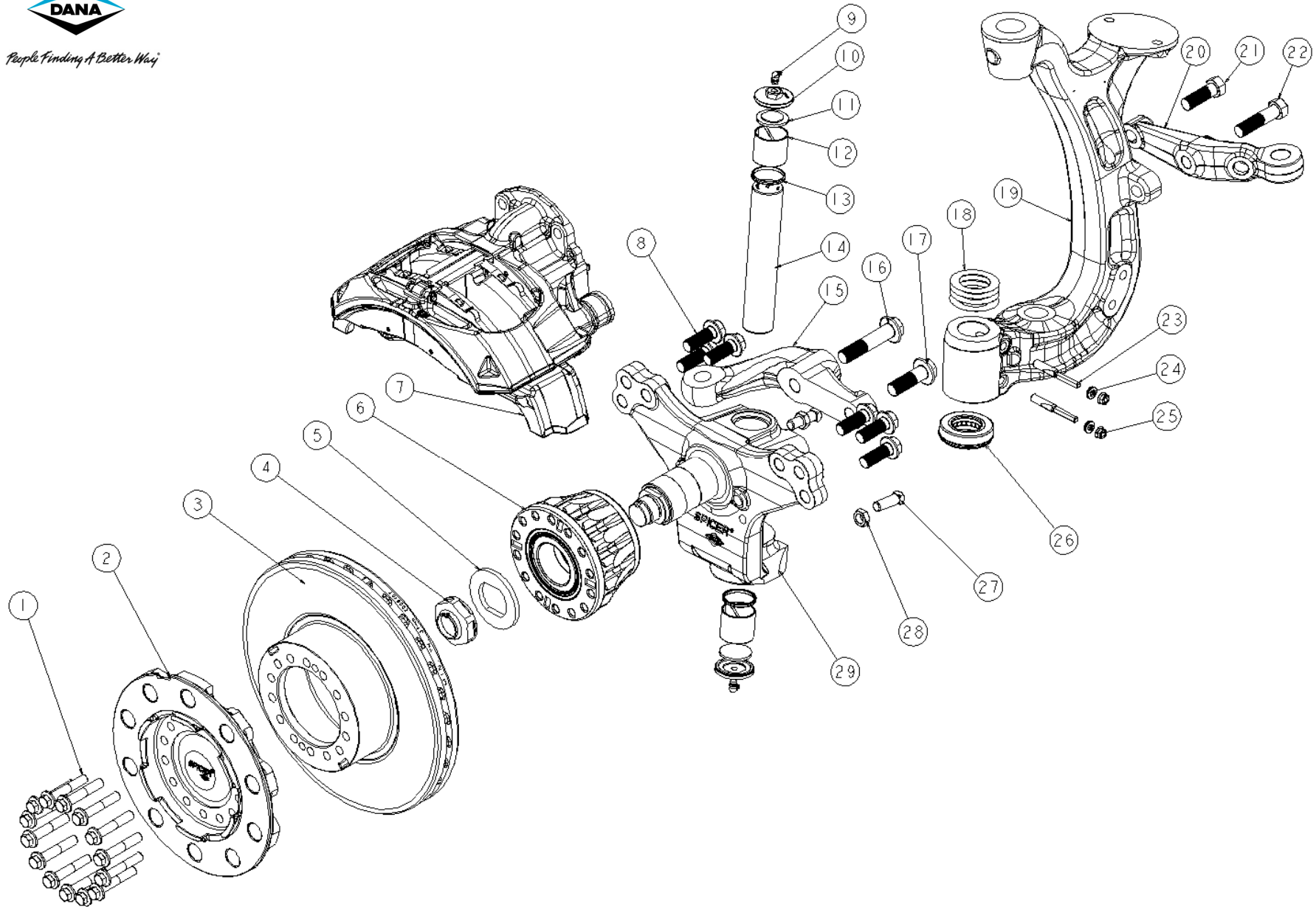
EVERY EFFORT HAS BEEN MADE TO ENSURE THE ACCURACY OF THE INFORMATION CONTAINED WITHIN THIS MANUAL.

**HOWEVER, COMMERCIAL VEHICLE PRODUCTS – EUROPE, A DIVISION OF DANA HOLDING CORPORATION, MAKES NO EXPRESSED OR IMPLIED WARRANTY OR REPRESENTATION BASED ON THE ENCLOSED INFORMATION.**

Last Modification	Date	Approved by	Date	Issue	Eng. Change
A.U.	01/09/11	A.U.E.	01/09/11	A	NC11536



*People Finding A Better Way*



Dana Holding Corporation  
Commercial Vehicle Products – Europe

Technical Publications CVPE © 2008 Dana Limited  
for more information [www.dana.com](http://www.dana.com)

## NDIFS80P K26857 – K26879 – K26891 Part List & Tightening Torques

Item	Part Number			Description	Qty <sup>0</sup>
	K26857	K26879	K26891		
1	F5064/55			Flanged bolt	28
2	F4974/28			Wheel hub	2
3	F4974/88			Brake Disc	2
4	F4567/77	F5169/77		Hub Bearing – Nut	2
5	F4567/30	F5170/30		Hub Bearing – Collet w asher	2
6A	SL279/3	SL279/4		Hub Bearing – Unitized	2
6B	F5084/100	-		Hub Bearing – ABS Ring	2
7A	SM486/52K	SM486/58K		Air Disc Brake (ADB) assy - LH	1
7B	SM486/521K	SM486/57K		Air Disc Brake (ADB) assy - RH	1
8	833175			Brake fixing – Bolt	12
9	1001414			Grease nipple (90°) <sup>2</sup>	4
10	971370			Kingpin – Cap <sup>2</sup>	4
11	971010			Kingpin – Foam insert <sup>2</sup>	4
12	806334			Kingpin – Bushing <sup>2,3</sup>	4
13	820518			Kingpin – Seal <sup>2</sup>	4
14	F5084/14			Kingpin <sup>2</sup>	2
15A	F4974/8	F5170/8		Bottom steering lever – LH	1
15B	F4974/7	F5170/7		Bottom steering lever – RH	1
16	ML6020/100X	833257		Bottom steering lever – Bolt	2
17	ML6020/65X	833258		Bottom steering lever – Bolt	2
18A	817493			Kingpin – Adjusting shim (0.13mm) <sup>2</sup>	AR <sup>1</sup>
18B	817494			Kingpin – Adjusting shim (0.25mm) <sup>2</sup>	AR <sup>1</sup>
19A	F5084/1	F5170/1		Pivot arm - LH	1
19B	F5084/1A	F5170/1A		Pivot arm - RH	1
20A	F5043/208	F5170/208		Steering lever 5TH link - LH	1
20B	F5043/207	F5170/207		Steering lever 5TH link - RH	1
21	ML6020/60X			Steering lever 5TH link - Bolt	2
22	ML6020/80X			Steering lever 5TH link - Bolt	2
23	160HP104-1			Draw key <sup>2</sup>	4
24	1460HN100			Draw key – Washer <sup>2</sup>	8
25	220HN103			Draw key – Nut <sup>2</sup>	4
26	220HC104			Thrust bearing <sup>2</sup>	2
27A	807781			Stop Bolt – Back Lock	2
27B	816370			Stop Bolt – Front Lock	2
28	SL224/8			Stop Bolt – Nut	4
29	F5084/2	F5170/2		Knuckle <sup>3</sup>	2

### NOTES:

- <sup>0</sup> Quantities listed are for complete axle unit -
- <sup>1</sup> As Required -
- <sup>2</sup> Available as a Service Kit: 12280/5 & 12280/6
- <sup>3</sup> Available as a Sub-Assembly: SF5084/2A (K26857 & K26879); SF5170/2 (K26891)

### ADDITIONAL INFORMATION (AI):

- A11 Service Manual NDS **613513**
- A12 Lubrication Manual **613511**
- A13 Service Manual Disc Brake SN6.../SN7.../SK7.../NA7... **613512**

Item	Part Number	Description	Type	Torque (N-m)	Torque (ft.lbs)
1	F5064/55	Flanged bolt	M14 x 1,5	236 - 260	174 - 192
4	F4567/77	Hub Bearing – Nut	1 x 3/4" - 8 UN	780 - 849	575 - 626
	F5169/77	Hub Bearing – Nut	M42 x 2	700 - 770	516 - 568
8	833175	Brake fixing – Bolt	M20 x 1,5	475 - 533	350 - 393
10	971370	Kingpin – Cap	2,375 - 16 UN	88 - 108	65 - 80
16	ML6020/100X	Bottom steering lever – Bolt	M20 x 2,5	705 - 780	520 - 575
	833257	Bottom steering lever – Bolt	M22 x 1,5	870 - 960	642 - 708
17	ML6020/65X	Bottom steering lever – Bolt	M20 x 2,5	705 - 780	520 - 575
	833258	Bottom steering lever – Bolt	M22 x 1,5	870 - 960	642 - 708
21	ML6020/60X	Steering lever 5TH link - Bolt	M20 x 2,5	705 - 780	520 - 575
22	ML6020/80X	Steering lever 5TH link - Bolt	M20 x 2,5	705 - 780	520 - 575
25	220HN103	Draw key – Nut	,375 - 16 UNC	33 - 49	24 - 36
28	SL224/8	Stop Bolt – Nut	5/8" - 18 UNF	122 - 163	90 - 120



**Dana Holding Corporation**

Commercial Vehicle Products – Europe

Dana Automoción S.A.

Polígono Industrial de Landaben, Calle E

31012 Pamplona / Spain

TEL (+34-948) 289 100 FAX (+34-948) 188 164

**APPLICATION POLICY**

Capability ratings, features and specifications vary depending upon the model type of service. Applications approvals must be obtained from Commercial Vehicle Products - Europe. We reserve the right to change or modify our product specifications, configurations, or dimensions at any time without notice.

*People Finding A Better Way<sup>®</sup>*