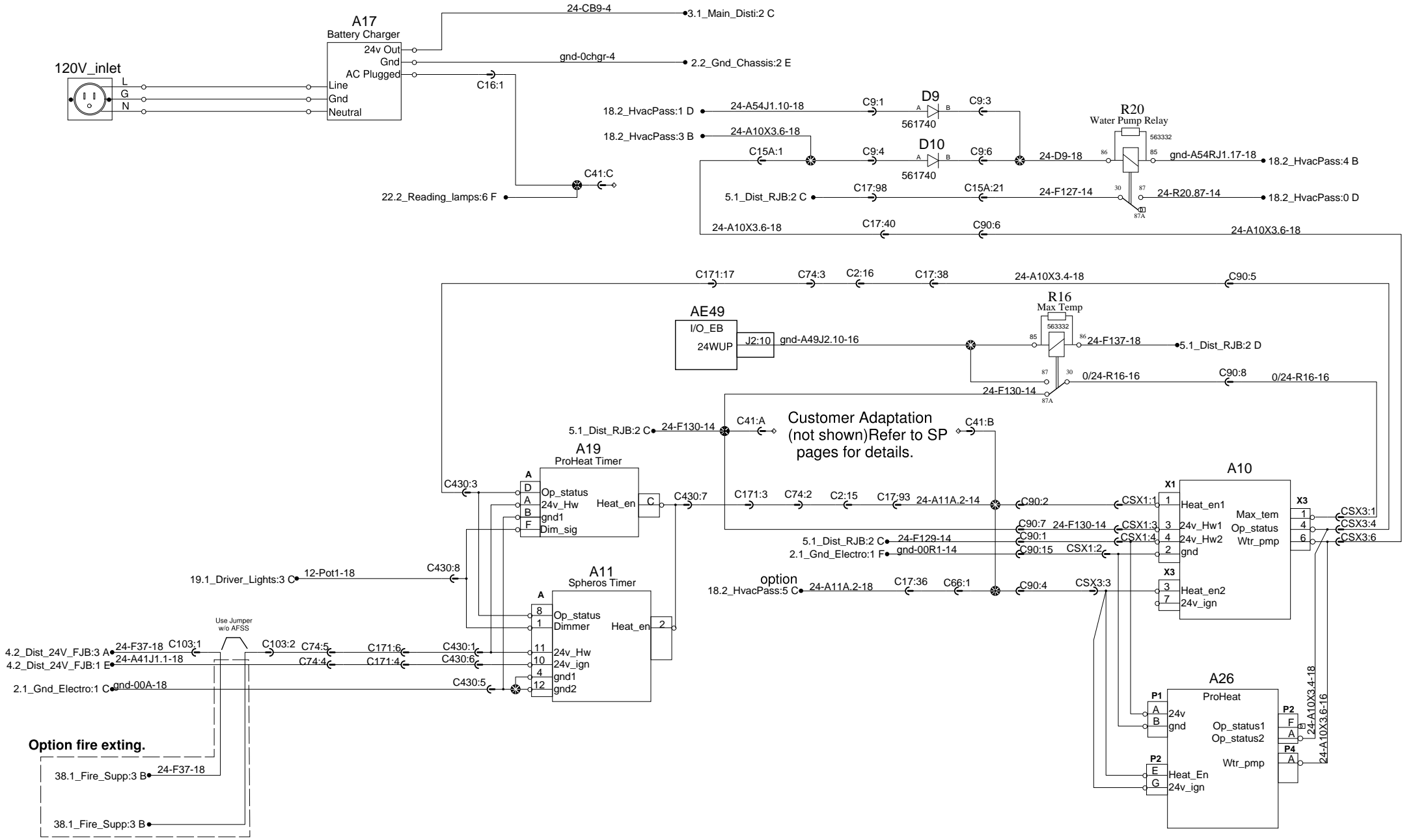


Water PreHeater



24-R4.87A-16