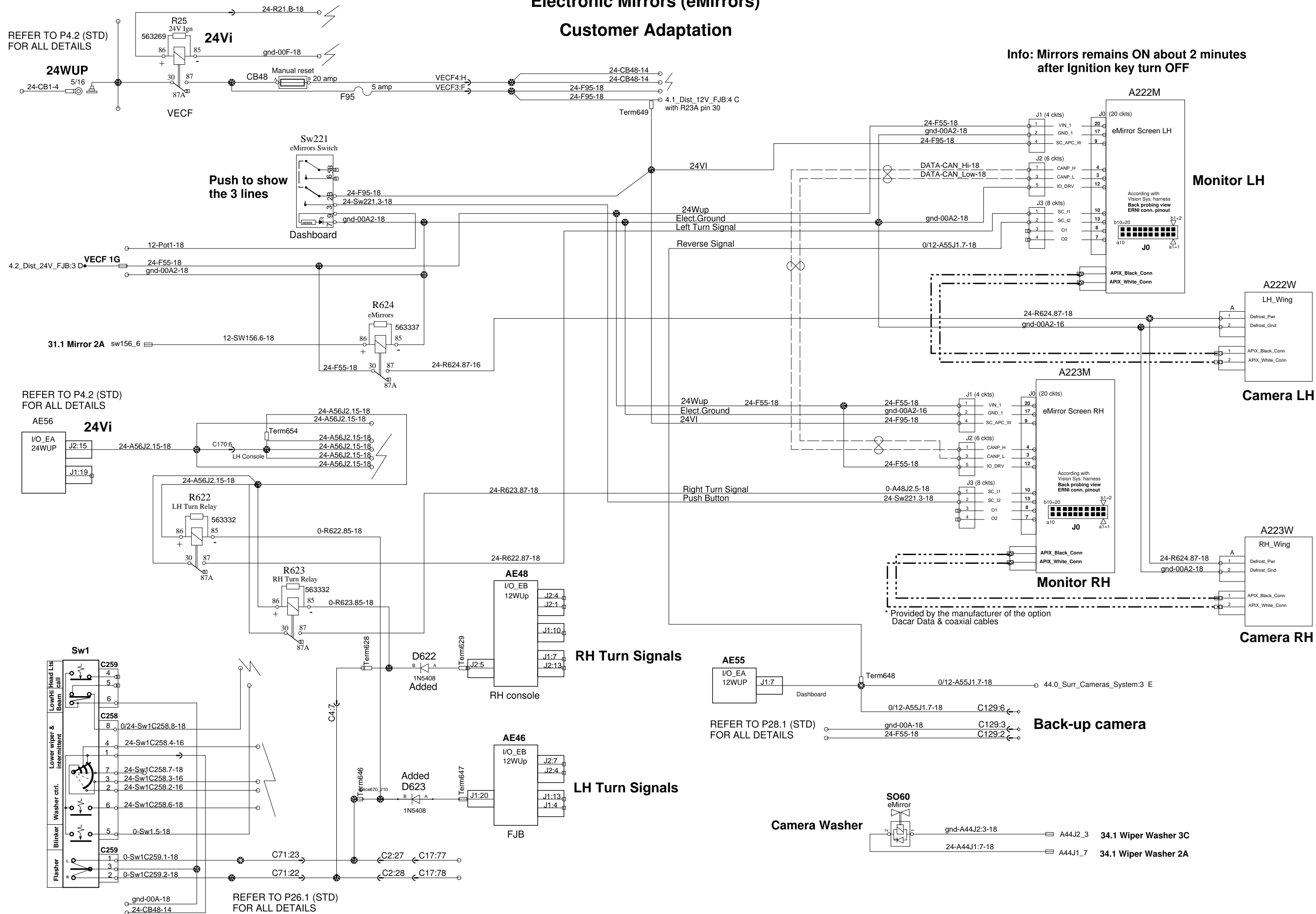


Electronic Mirrors (eMirrors)

Customer Adaptation



Info: Mirrors remains ON about 2 minutes after Ignition key turn OFF

Push to show the 3 lines

REFER TO P4.2 (STD) FOR ALL DETAILS

REFER TO P28.1 (STD) FOR ALL DETAILS

REFER TO P26.1 (STD) FOR ALL DETAILS

* Provided by the manufacturer of the option Dacar Data & coaxial cables