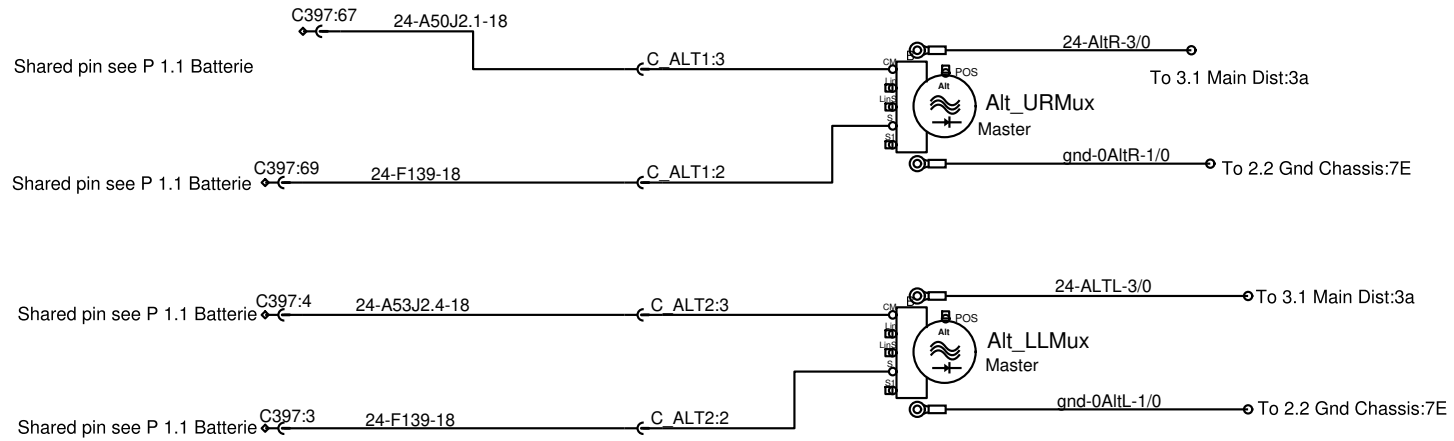


# Alternators Remy

## Mux Controlled



## Lin Controlled

